



# Rental LED Display Unit

Quick Start Guide

# Legal Information

## About this Document

- This Document includes instructions for using and managing the Product. Pictures, charts, images and all other information hereinafter are for description and explanation only.
- The information contained in the Document is subject to change, without notice, due to firmware updates or other reasons. Please find the latest version of the Document at the Hikvision website (<https://www.hikvision.com>). Unless otherwise agreed, Hangzhou Hikvision Digital Technology Co., Ltd. or its affiliates (hereinafter referred to as "Hikvision") makes no warranties, express or implied.
- Please use the Document with the guidance and assistance of professionals trained in supporting the Product.

## About this Product

This product can only enjoy the after-sales service support in the country or region where the purchase is made.

## Acknowledgment of Intellectual Property Rights

- Hikvision owns the copyrights and/or patents related to the technology embodied in the Products described in this Document, which may include licenses obtained from third parties.
- Any part of the Document, including text, pictures, graphics, etc., belongs to Hikvision. No part of this Document may be excerpted, copied, translated, or modified in whole or in part by any means without written permission.
- **HIKVISION** and other Hikvision's trademarks and logos are the properties of Hikvision in various jurisdictions.
- Other trademarks and logos mentioned are the properties of their respective owners.

## LEGAL DISCLAIMER

- TO THE MAXIMUM EXTENT PERMITTED BY APPLICABLE LAW, THIS DOCUMENT AND THE PRODUCT DESCRIBED, WITH ITS HARDWARE, SOFTWARE AND FIRMWARE, ARE PROVIDED "AS IS" AND "WITH ALL FAULTS AND ERRORS". HIKVISION MAKES NO WARRANTIES, EXPRESS OR IMPLIED, INCLUDING WITHOUT LIMITATION, MERCHANTABILITY, SATISFACTORY QUALITY, OR FITNESS FOR A PARTICULAR PURPOSE. THE USE OF THE PRODUCT BY YOU IS AT YOUR OWN RISK. IN NO EVENT WILL HIKVISION BE LIABLE TO YOU FOR ANY SPECIAL, CONSEQUENTIAL, INCIDENTAL, OR INDIRECT DAMAGES, INCLUDING, AMONG OTHERS, DAMAGES FOR LOSS OF BUSINESS PROFITS, BUSINESS INTERRUPTION, OR LOSS OF DATA, CORRUPTION OF SYSTEMS, OR LOSS OF DOCUMENTATION, WHETHER BASED ON BREACH OF CONTRACT, TORT (INCLUDING NEGLIGENCE), PRODUCT LIABILITY, OR OTHERWISE, IN CONNECTION WITH THE USE OF THE PRODUCT, EVEN IF HIKVISION HAS BEEN ADVISED OF THE POSSIBILITY OF SUCH DAMAGES OR LOSS.
- YOU ACKNOWLEDGE THAT THE NATURE OF THE INTERNET PROVIDES FOR INHERENT SECURITY RISKS, AND HIKVISION SHALL NOT TAKE ANY RESPONSIBILITIES FOR ABNORMAL OPERATION, PRIVACY LEAKAGE OR OTHER DAMAGES RESULTING FROM CYBER-ATTACK, HACKER ATTACK, VIRUS INFECTION, OR OTHER INTERNET SECURITY RISKS; HOWEVER, HIKVISION WILL PROVIDE TIMELY TECHNICAL SUPPORT IF REQUIRED.
- YOU AGREE TO USE THIS PRODUCT IN COMPLIANCE WITH ALL APPLICABLE LAWS, AND YOU ARE SOLELY RESPONSIBLE FOR ENSURING THAT YOUR USE CONFORMS TO THE APPLICABLE LAW. ESPECIALLY, YOU ARE RESPONSIBLE, FOR USING THIS PRODUCT IN A MANNER THAT DOES NOT INFRINGE ON THE RIGHTS OF THIRD PARTIES, INCLUDING WITHOUT LIMITATION, RIGHTS OF PUBLICITY, INTELLECTUAL PROPERTY RIGHTS, OR DATA PROTECTION AND OTHER PRIVACY RIGHTS. YOU SHALL NOT USE THIS PRODUCT FOR ANY PROHIBITED END-USES, INCLUDING THE DEVELOPMENT OR PRODUCTION OF WEAPONS OF MASS DESTRUCTION, THE DEVELOPMENT OR PRODUCTION OF CHEMICAL OR BIOLOGICAL WEAPONS, ANY ACTIVITIES IN THE CONTEXT RELATED TO ANY NUCLEAR EXPLOSIVE OR UNSAFE NUCLEAR FUEL-CYCLE, OR IN SUPPORT OF HUMAN RIGHTS ABUSES.
- IN THE EVENT OF ANY CONFLICTS BETWEEN THIS DOCUMENT AND THE APPLICABLE LAW, THE LATTER PREVAILS.

© Hangzhou Hikvision Digital Technology Co., Ltd. All rights reserved.




# Preface

## Applicable Models

This guide is applicable to the rental LED display unit.

## Symbol Conventions

The symbols that may be found in this document are defined as follows.

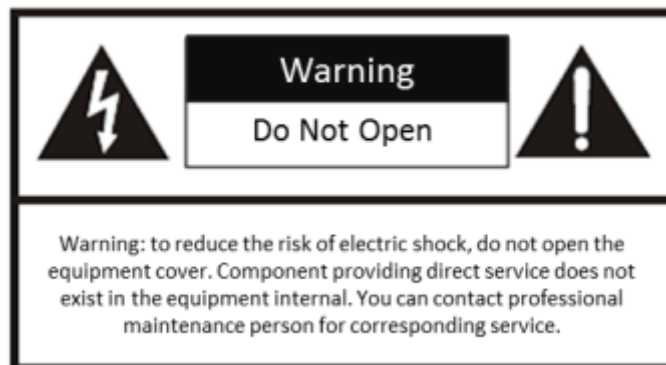
Symbol	Description
 <b>Note</b>	Provides additional information to emphasize or supplement important points of the main text.
 <b>Caution</b>	Indicates a potentially hazardous situation, which if not avoided, could result in equipment damage, data loss, performance degradation, or unexpected results.
 <b>Danger</b>	Indicates a hazard with a high level of risk, which if not avoided, will result in death or serious injury.

## Safety Instructions

### **Danger**



- In the use of the product, you must be in strict compliance with the electrical safety regulations of the nation and region.
- **CAUTION:** If the fuse of the device can be replaced, replace it only with the same model to reduce the risk of fire or electric shock.
- Do not touch the bare components (such as the metal contacts of the inlets) and wait for at least 5 minutes, since electricity may still exist after the device is powered off.
- For the permanently connected device without a disconnect equipment, a readily accessible disconnect equipment shall be incorporated into the electrical installation of the connected building.
- For the permanently connected device without an overcurrent protection equipment, an overcurrent protection equipment shall be incorporated into the electrical installation of the connected building. The specifications of the overcurrent protection equipment shall not exceed that of the building.
- For the permanently connected device without an all-pole mains switch, an all-pole mains switch shall be incorporated into the electrical installation of the connected building.

- For the device with the sign ⚡ indicating hazardous live, the external wiring connected to the terminals requires installation by an instructed person.
- Never place the device in an unstable location. The device may fall, causing serious personal injury or death.
- If the device supports wall mounting or ceiling mounting, the mounting surface shall be able to withstand the additional force of three times the weight of the device but not less than 50 N. The device and its associated mounting means shall remain secure during the installation. After the installation, the device, including any associated mounting plate, shall not be damaged. Refer to technical specifications for details.
- ALWAYS use cabinets or stands or mounting methods recommended by the manufacturer of the device.
- ALWAYS use furniture that can safely support the device.
- ALWAYS ensure the device is not overhanging the edge of the supporting furniture.
- ALWAYS route cords and cables connected to your television so they cannot be tripped over, pulled or grabbed.
- NEVER place a device in an unstable location.
- NEVER place the device on tall furniture (for example, cupboards or bookcases) without anchoring both the furniture and the device to a suitable support.
- NEVER place the device on cloth or other materials that may be located between the device and supporting furniture.
- NEVER place items that might tempt children to climb, such as toys and remote controls, on the top of the device or furniture on which the device is placed.



 **Caution**

- If the ingress protection level is lower than IPx4, the device shall not be exposed to water dripping or splashing, and no objects filled with liquids, such as vases, shall be placed on the device.
- Provide a surge suppressor at the inlet opening of the device under special conditions such as the mountain top, iron tower, and forest.
- If the device is powered by terminals connected to the power cord, ensure correct voltage and wiring of the terminals for connection to mains supply.

- No naked flame sources, such as lighted candles, should be placed on the device.
- For the device with ventilation openings, the ventilation openings should not be impeded by covering the ventilation openings with items, such as newspapers, table-cloths, and curtains. The openings shall never be blocked by placing the device on a bed, sofa, rug, or other similar surface.
- This device is suitable for mounting on concrete or other non-combustible surface only to avoid fire hazard.
- For the device with sticker  or , pay attention to the following cautions:
  - CAUTION: Hot parts! Do not touch. Burned fingers when handling the parts. Wait one-half hour after switching off before handling the parts.
  - The power supply unit for the equipment must be placed in a restricted area to prevent unauthorized access.
  - If the device installation is needed,
    1. Install the device according to the instructions in Quick Start Guide.
    2. To prevent injury, this device must be securely attached to the installation surface in accordance with the installation instructions. Refer to Quick Start Guide for details.
  - Keep vertical when moving or using the device.
  - CAUTION: If the bracket is designed for a specific device model of our company, use the bracket with the corresponding device only. Use with other devices may result in instability and cause injury.
  - CAUTION: If the device needs to be installed with a specific bracket of our company, use the corresponding bracket only. Use others (such as carts, stands, and carriers) may result in instability and cause injury. Refer to the device datasheet for bracket model details. Refer to Quick Start Guide for details.
  - The interface varies with the models. Please refer to the product datasheet for details.
  - If the device is not released with a power adapter, and you need to wire the bare cables of the device:
    - The device external wiring connected to the hazardous live terminals requires installation by an instructed person.
    - Make sure that the power has been disconnected before you wire, install, or disassemble the device.
    - The power supply or device must be connected to an earthed mains socket-outlet.
    - High voltage for the power supply. Do not disassemble it.
    - If smoke, odor, or noise arises from the power supply or device, immediately turn off the power, unplug the power cable, and contact the service center.

- If the device needs to be wired by yourself, select the corresponding wire to supply power according to the electric parameters labeled on the device. Strip off wire with a standard wire stripper at corresponding position. To avoid serious consequences, the length of stripped wire shall be appropriate, and conductors shall not be exposed.
- A circuit breaker shall be provided for the device externally. For a single device, an AC 220 V/230 V/240 V, 6 A circuit breaker is recommended. When multiple devices are stacked, select a circuit breaker of appropriate rating based on the total rated current, but this shall not exceed the rating of the circuit breaker provided for the building.

# TABLE OF CONTENTS

<b>Chapter 1 Product Introduction .....</b>	<b>1</b>
1.1 Overview .....	1
1.2 Product Components .....	1
1.3 Features .....	1
<b>Chapter 2 Rack Installation.....</b>	<b>2</b>
2.1 Precautions.....	2
2.2 Install the Cabinet on the Hanging Bar .....	2
2.3 Install the Cabinet on the Stacking Rack .....	7
<b>Chapter 3 Cabinet Installation.....</b>	<b>13</b>
3.1 Cabinet Overview .....	13
3.2 Precautions.....	18
3.3 Stitch Cabinet Frames .....	18
3.3.1 Locate Cabinet Frames.....	18
3.3.2 Stitch Cabinet Frames Horizontally .....	21
3.3.3 Stitch Cabinet Frames Vertically .....	27
3.3.4 Stitch Edge-Cutting Cabinet Frames to a Right Angle.....	38
3.3.5 Stitch Edge-Cutting Cabinet Frames to a Cube .....	44
3.4 Connect Power Cords and Network Cables .....	45
3.4.1 Connect Power Cords between Cabinets .....	45
3.4.2 Connect Network Cables between Cabinets .....	48
3.5 Maintain the Cabinet .....	50
3.5.1 Maintain the Module .....	51
3.5.2 Maintain the Power Supply .....	53
3.5.3 Maintain the Receiving Card .....	54
3.5.4 Maintain the Hub Board .....	55
<b>Chapter 4 Software Debugging .....</b>	<b>57</b>

# Chapter 1 Product Introduction

## 1.1 Overview

The rental LED display unit (hereinafter referred to as "the device" or "the product") is a high-quality, high-precision, and highly reliable rental display solution designed for quick installation, easy transport, robust protection, and flexible configuration. It is suitable for a wide range of applications, including film and television production, large-scale entertainment events (e.g., ceremonies, concerts, and theater performances), sports and competitive events, conferences and exhibitions, and high-end entertainment venues.

## 1.2 Product Components

An LED control system includes sending and receiving cards. The sending card packages images and sends them to the receiving card. The receiving card unpackages and processes the images, and then displays the images on the LED display unit.

## 1.3 Features

- **Lightweight design:** Lightweight and thin design for easy transportation and installation.
- **Flexible splicing:** Both standard cabinets and 45° edge-cutting cabinets are available for flexible assembly into flat, curved, right-angle, or cube display screens.
- **High image quality:** Up to 1000 nit brightness for indoor products and 4500 nit brightness for outdoor products, providing excellent contrast and color performance for an immersive stage experience.
- **Quick installation and easy maintenance:** Modular design with special ejection button mechanism for full assembly, disassembly, and maintenance within 5 seconds.
- **Integrated scenario solutions:** Clean appearance and robust cabinet construction, offering a one-stop LED display solution tailored to applications such as conferences, stages, product launches, and real estate events.

## Chapter 2 Rack Installation

The device supports both rigging and stacking installation using the same rack. You can remove the rack's bases to use it as a hanging bar for the rigging installation, or remove its ring to use it as a staking rack for the stacking installation.

### Note

Since the product has different models, the following description takes one model for illustration. The actual model prevails.

## 2.1 Precautions

Read the following precautions carefully before you install the racks:

- Installation personnel must wear protective gear.
- Take safety measures when working at heights.
- Make sure that the rack is mounted vertically on a level surface, without tilting or twisting.
- Ensure that all structural parts and fasteners are fully mounted, and that none are missing.
- After all the accessories are mounted, clean all the metal debris in the rack.

## 2.2 Install the Cabinet on the Hanging Bar

The hanging installation mode supports a maximum number of 24 rental cabinets (500 mm × 500 mm) or 12 rental cabinets (500 mm × 1000 mm). To install the cabinets on the hanging bars, you need to fix the vertical fast locks of cabinets with the locks of hanging bars.

Step 1 Fix the hanging bars on the truss in a straight line from the center to both sides sequentially.

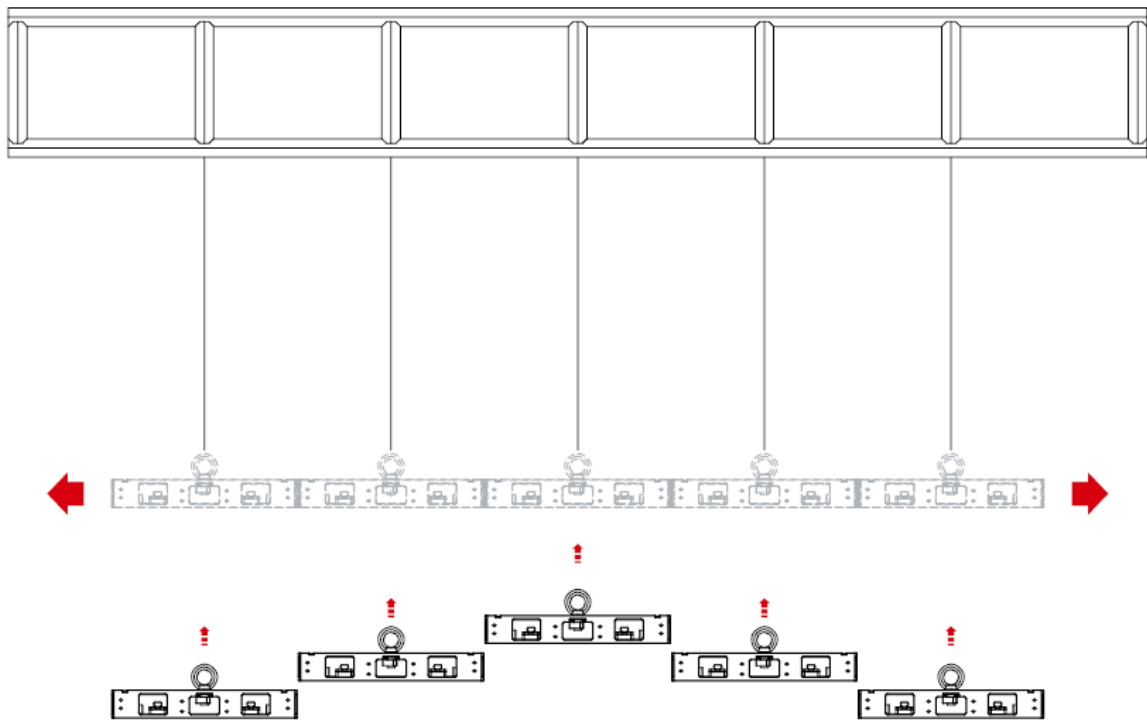


Figure 2-1 Fix the Hanging Bars

Step 2 Open the four corner protectors on the cabinet, adjust the curved locks of the cabinet to the required splicing angle (from  $-10^{\circ}$  to  $+10^{\circ}$  is supported), and rotate the handle to tighten.

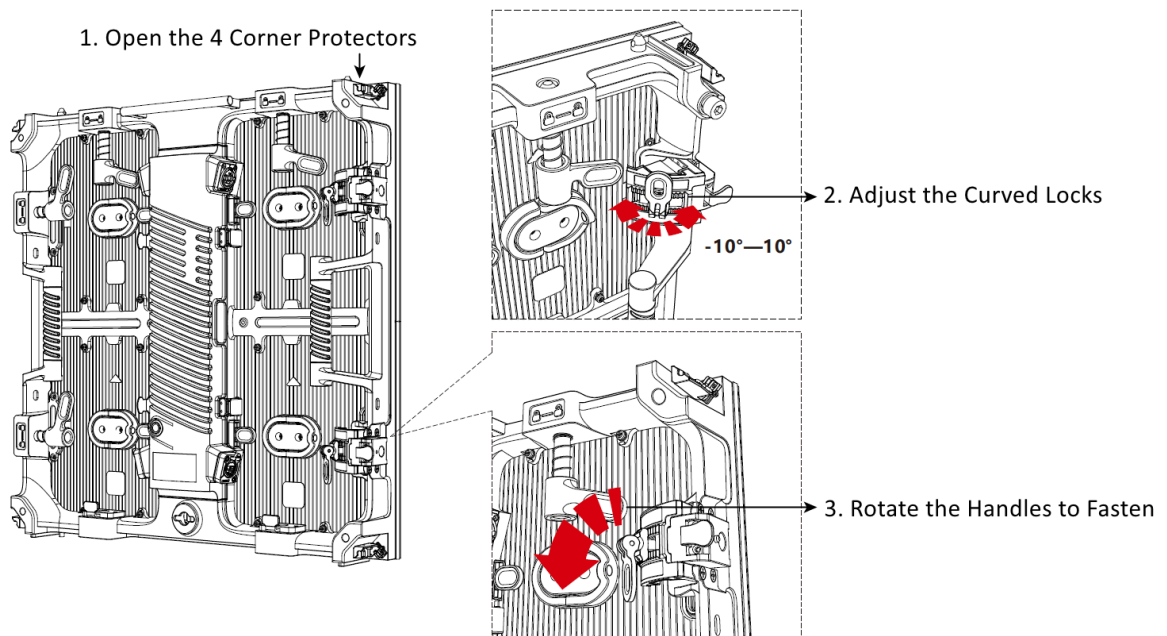


Figure 2-2 Adjust Curved Lock Angle

Step 3 Align the vertical fast locks on the cabinet with the mounting holes on the hanging bar, insert the locks and then rotate the handles to fasten them.

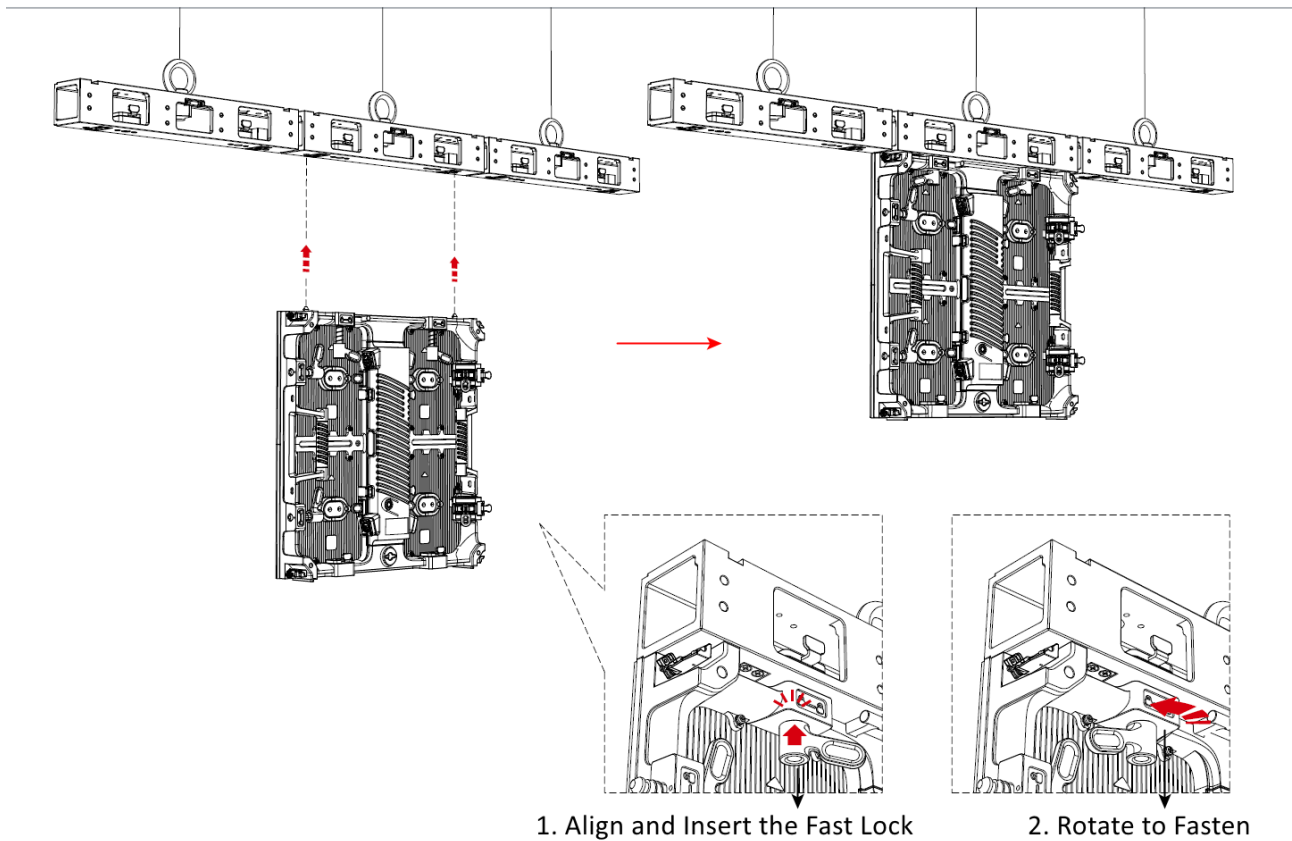


Figure 2-3 Install Cabinet to Hanging Bar (with Curved Lock)

Step 4 Repeat the step 3 to finish the installation of the top row of cabinets, and secure the adjacent cabinets horizontally. For more details, see **3.3.2 Stitch Cabinet Frames Horizontally**.

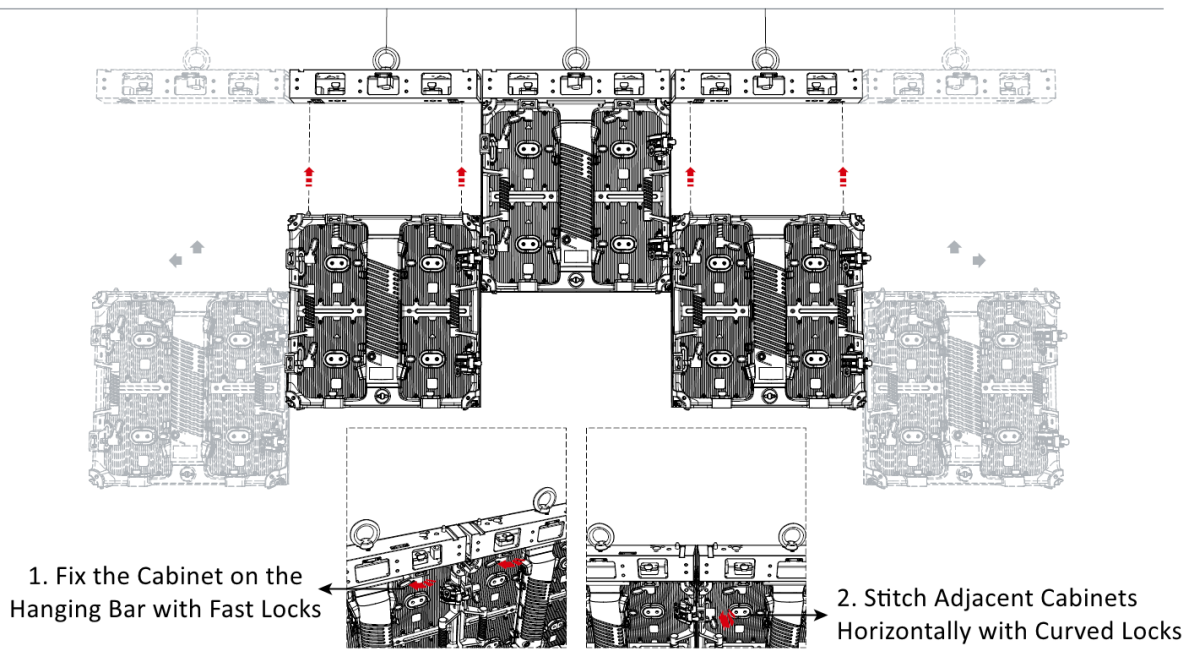


Figure 2-4 Install Top-Row Cabinets

Step 5 Secure the top-row cabinets and the hanging bars with lock plates. Fasten the lock plates with 4 screws for middle cabinet corners and 2 screws for end cabinet corners.

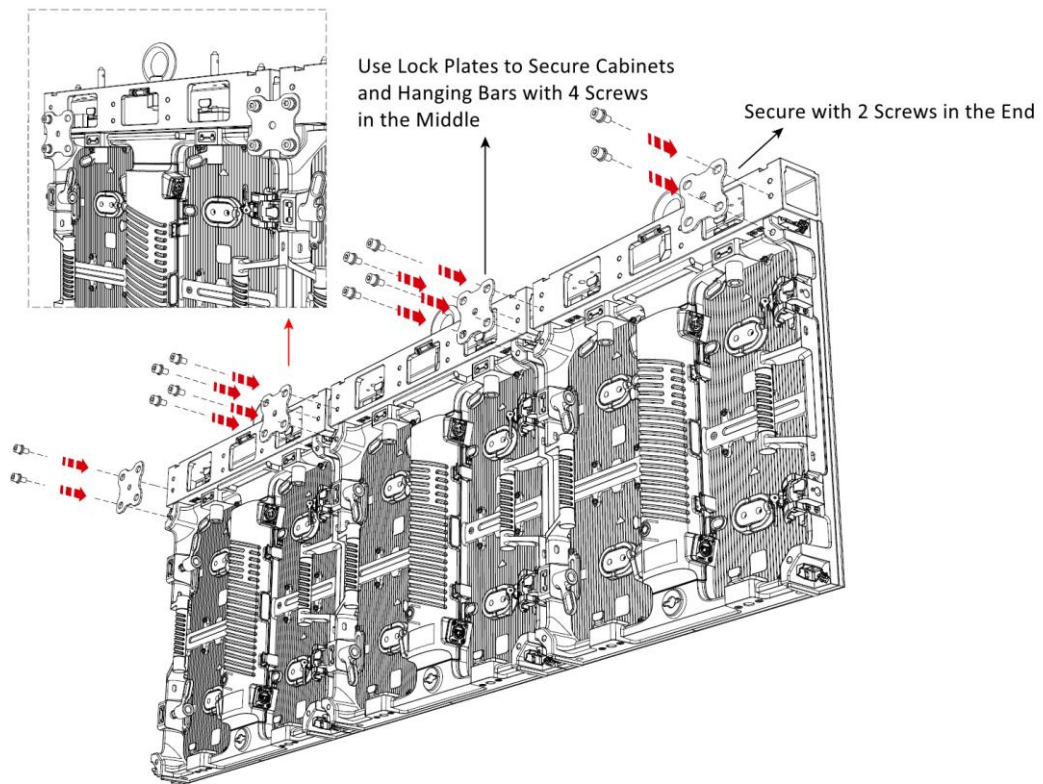


Figure 2-5 Secure Top-Row Cabinets and Hanging Bars

Step 6 Raise the hanging bar to the appropriate height, and then finish the installation of the second row of cabinets from the middle to both ends. Align the vertical locating studs on the second row of cabinets with the vertical locating holes on the top row of cabinets to finish the vertical stitching of cabinets. For more details, see **3.3.3 Stitch Cabinet Frames Vertically**.

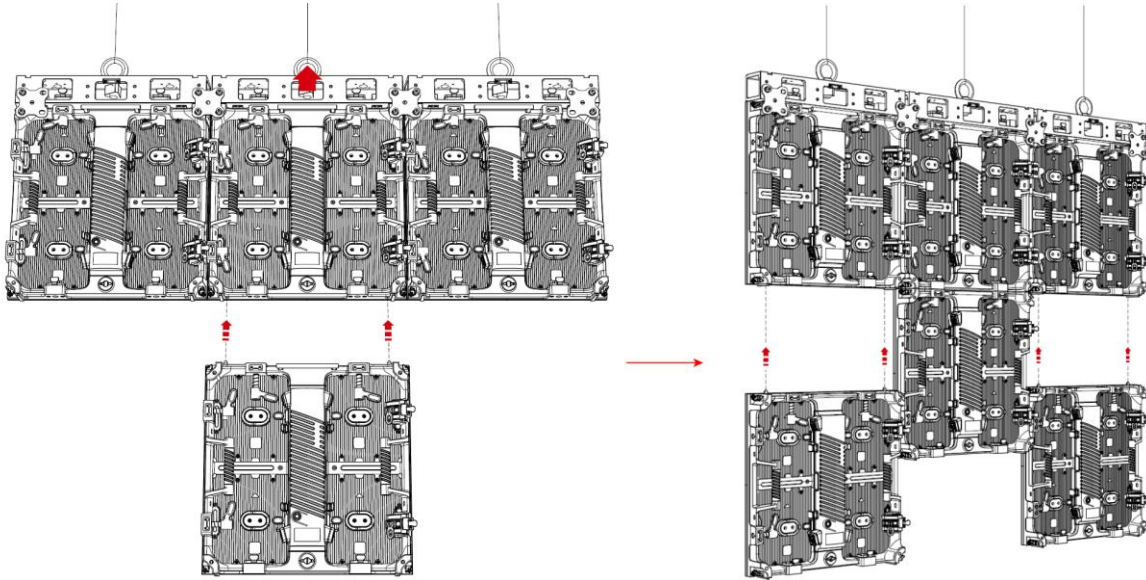


Figure 2-6 Install the Second Row of Cabinets (with Curved Lock)

Step 7 Repeat the above steps to install the remaining cabinets.

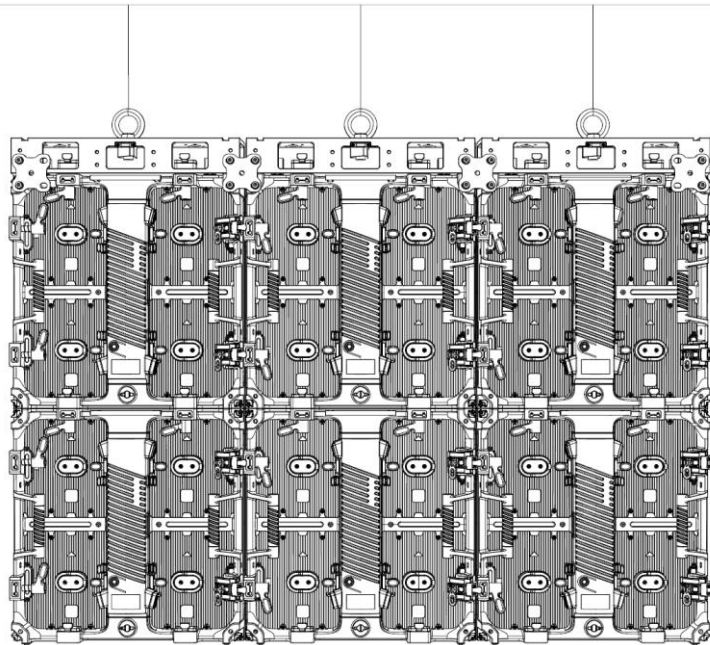


Figure 2-7 Installation Finished

## 2.3 Install the Cabinet on the Stacking Rack

The stacking installation mode supports a maximum number of 10 rental cabinets (500 mm × 500 mm) or 5 rental cabinets (500 mm × 1000 mm). To install the cabinets on the stacking racks, you need to fix the vertical lock holes of cabinets with the locks of stacking racks.

**Step 1** Line up the stacking racks on the installation ground, and then insert a 6 mm hex wrench into the height adjustment hole of each leveling foot and rotate the hex wrench to adjust each stacking rack to the same horizontal height.

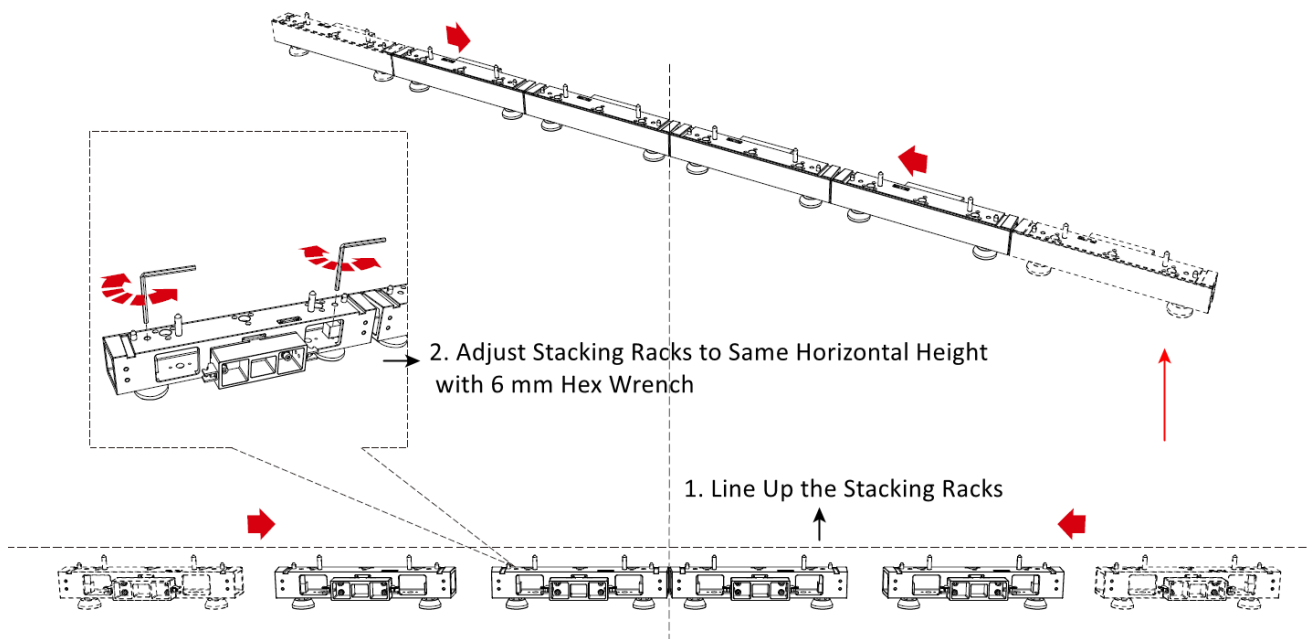


Figure 2-8 Line Up Stacking Racks and Adjust Their Height

**Step 2** Install one ground base at both the front and rear ends of the row, and then install an additional ground base at every other stacking rack in between.

- 1) Use a 6 mm hex wrench to adjust the leveling feet of the ground base to make its top surface level with the rectangular connector of the stacking rack.
- 2) Insert one end of the ground base into the rectangular connector, and then secure them with the buckle lock.

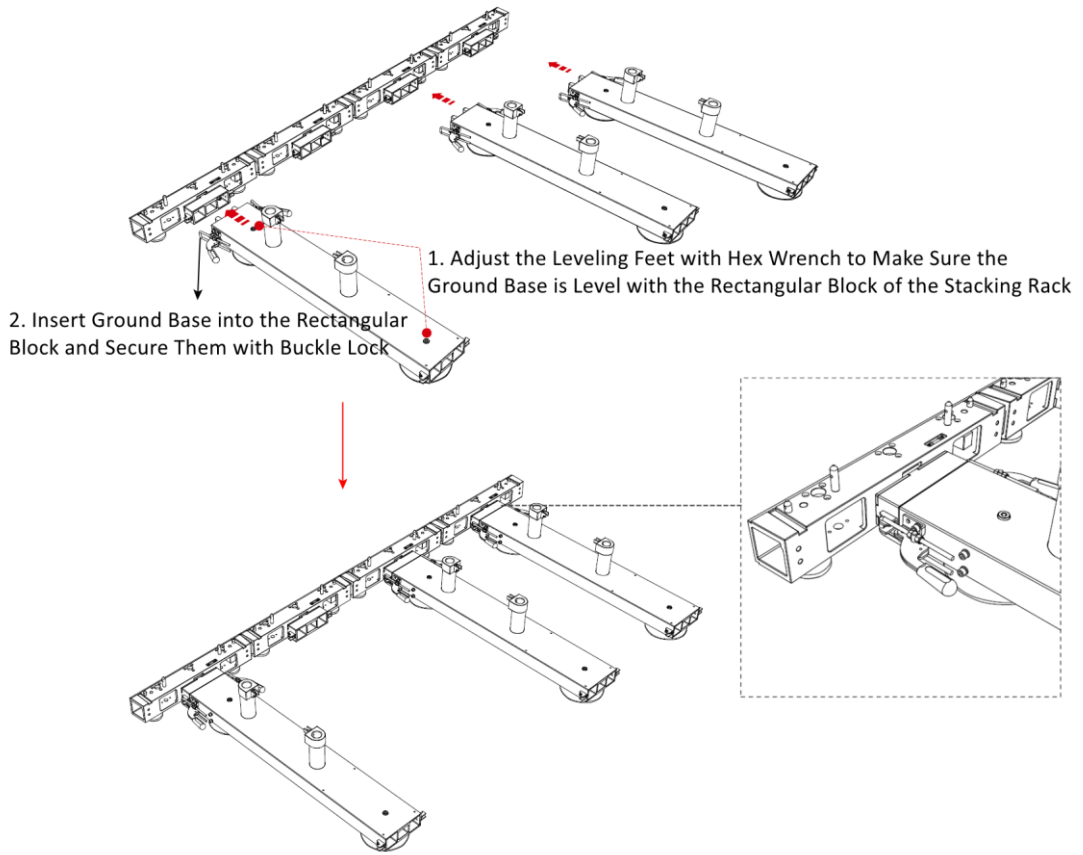


Figure 2-9 Install Ground Base with Stacking Rack

Step 3 Install a 1-meter bracing frame on each ground base and secure it with the buckle lock.

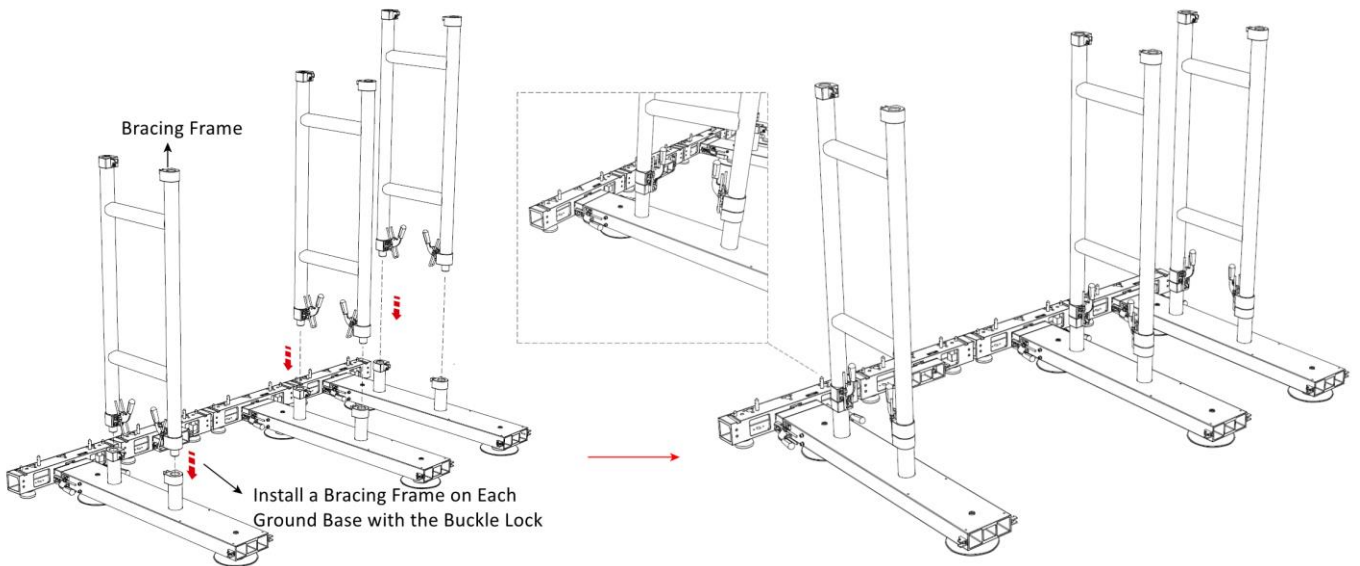


Figure 2-10 Fix Bracing Frames with Ground Bases

Step 4 Install the first row of cabinets on the stacking racks from the middle to both ends.

- 1) Align the locating studs on the stacking racks with the lock holes at the bottom on the lowest row of cabinets, and insert the locating studs into the holes.

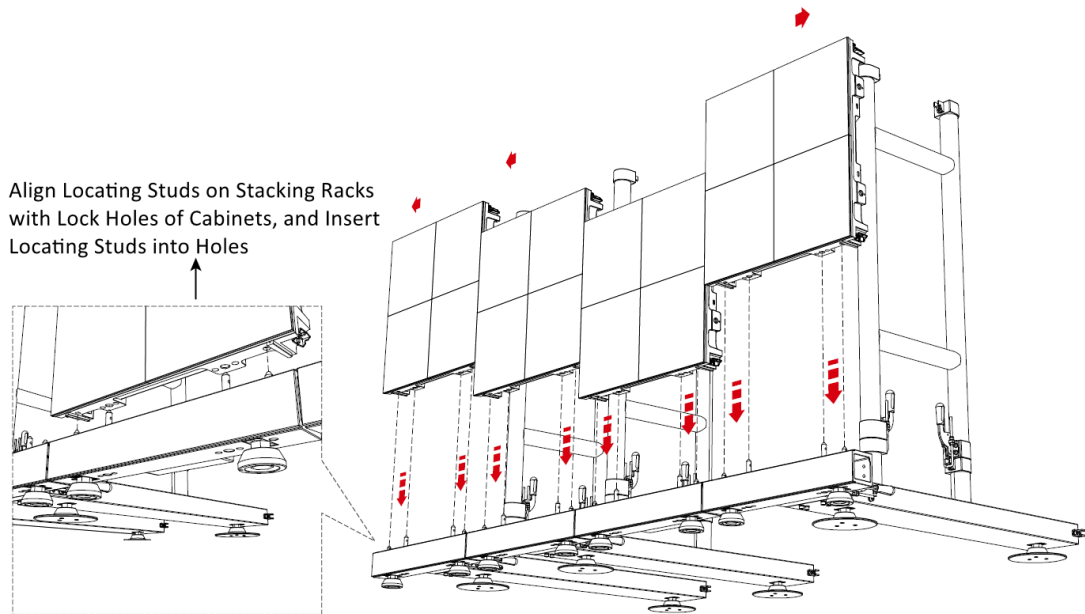


Figure 2-11 Install First Row of Cabinets

- 2) Secure the adjacent cabinets horizontally. For more details, see **3.3.2 Stitch Cabinet Frames Horizontally**.

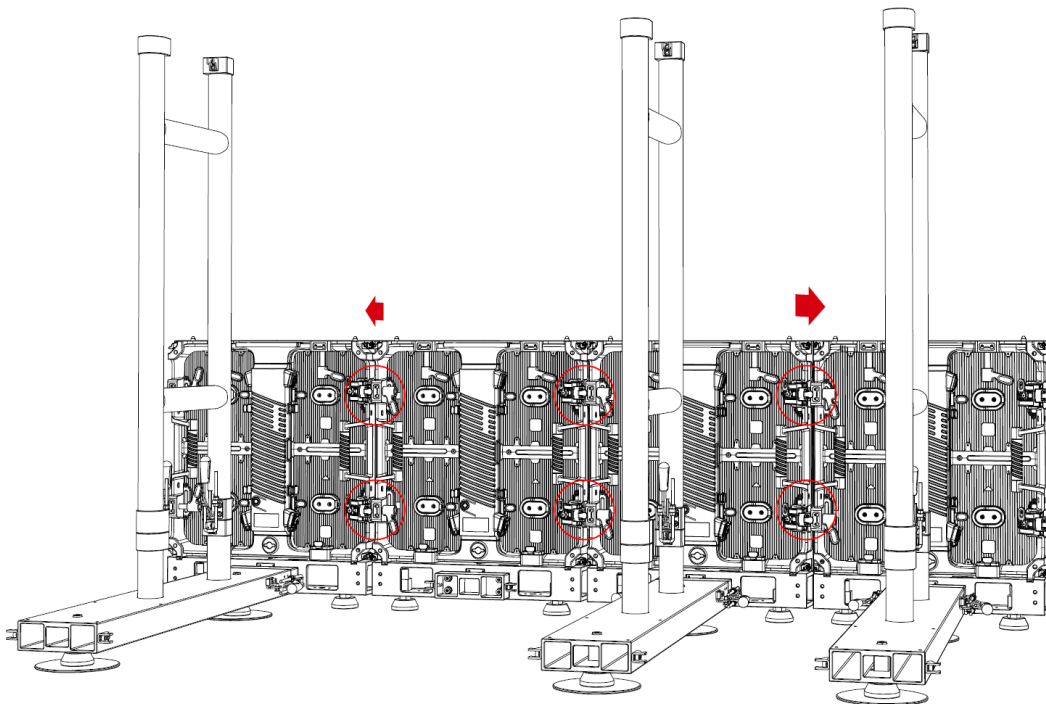


Figure 2-12 Secure Adjacent Cabinets Horizontally

Step 5 Install the rest cabinets from bottom to top row by row.

- 1) Place a new cabinet (cabinet A) on top of a lowest-row cabinet (cabinet B) that has a bracing frame behind it, align the vertical locating studs on the cabinet A with the vertical locating holes on the cabinet B to finish the vertical stitching of cabinets. For more details, see **3.3.3 Stitch Cabinet Frames Vertically**.

Install a New Cabinet on a Lowest-Row Cabinet That Has a Bracing Frame Behind It

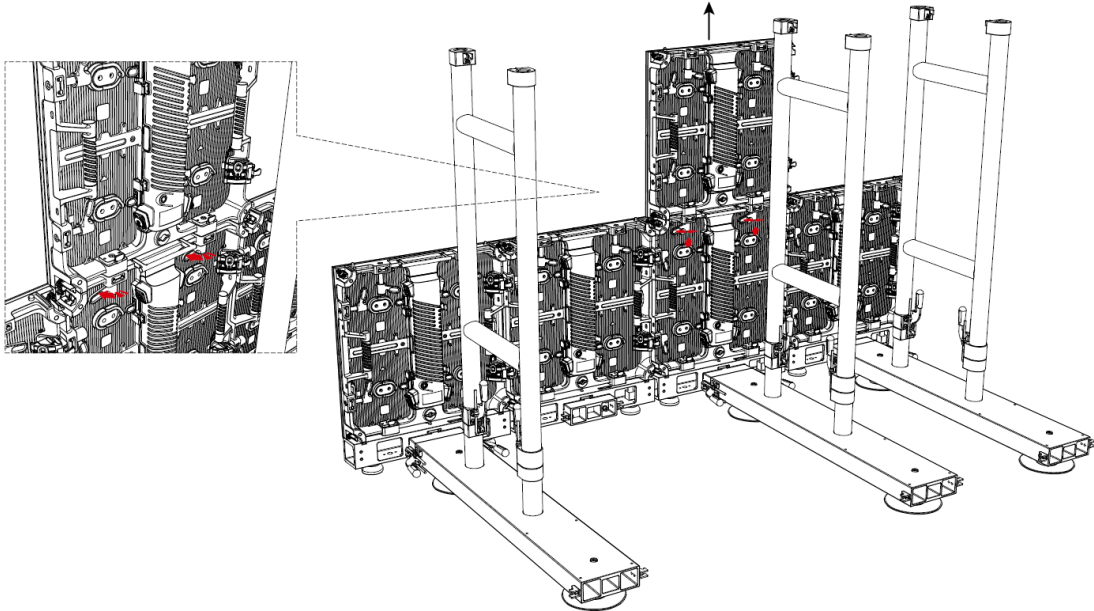
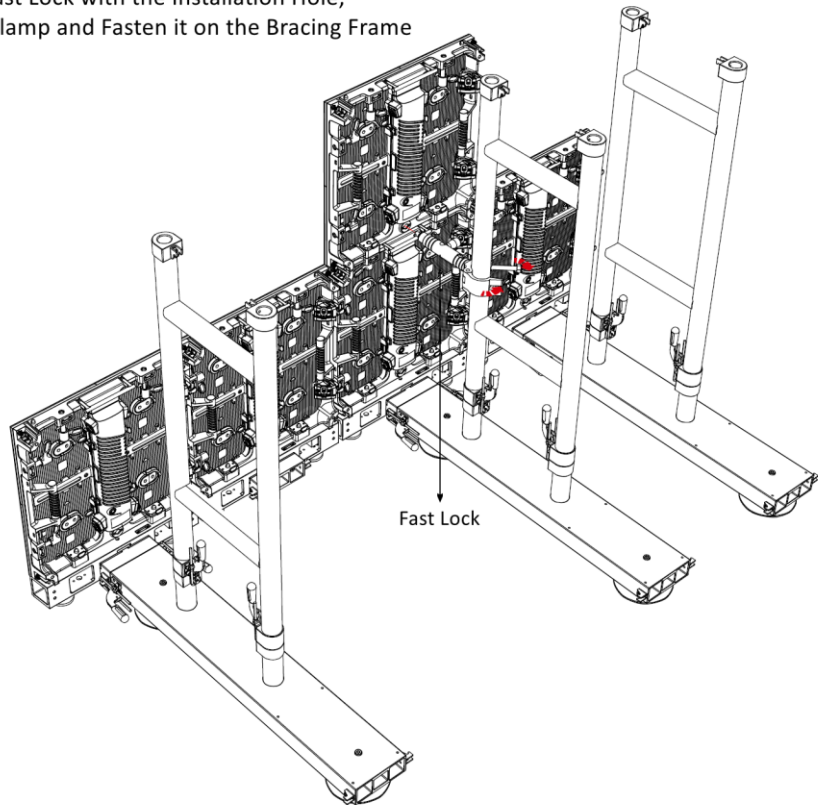


Figure 2-13 Install a Second-Row Cabinet

- 2) Fix the cabinet and the bracing frame with the fast lock: Align the fast lock with the installation hole at the bottom of the cabinet, open the clamp (A) of the fast lock, and secure it to the bracing frame. Rotate the handle (B) near the clamp counterclockwise, and insert the pin (D) of the fast lock into the installation hole. Flip the middle handle (C) up by 90 degrees, pull the lock rod till the pin D contacts the inner wall of the installation hole, and then rotate C clockwise to tighten it. Rotate the cylinder (E) clockwise until it contacts the outer wall of the installation hole to fasten it. Rotate B clockwise to complete the fixation.

1. Fix Fast Lock and Bracing Frame:  
Align the Fast Lock with the Installation Hole,  
Open the Clamp and Fasten it on the Bracing Frame



2. Fix Fast Lock and Cabinet:

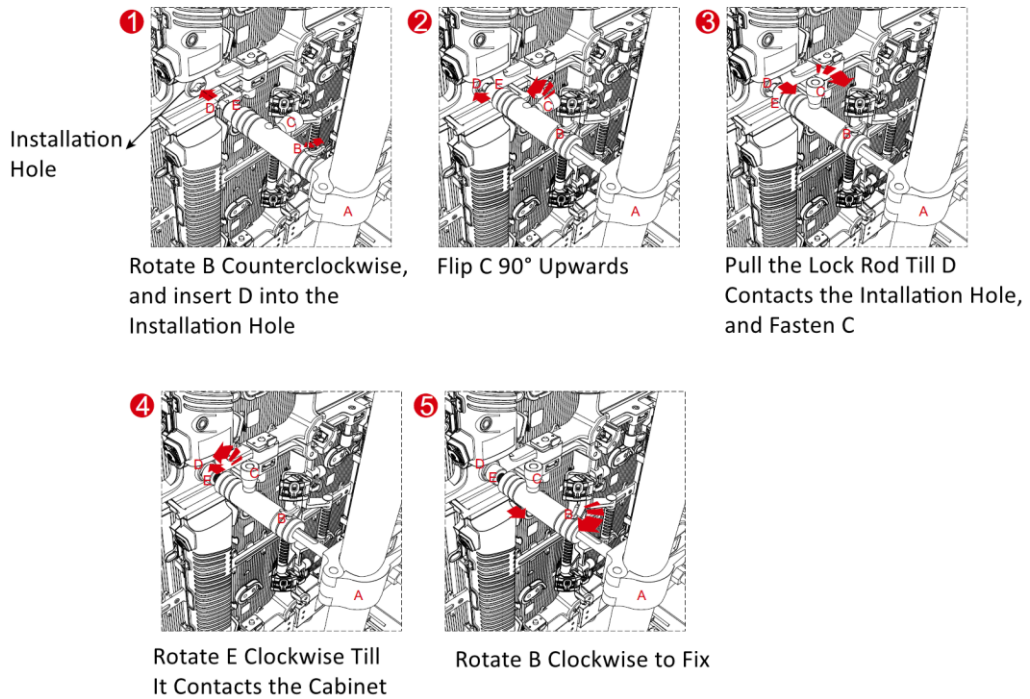


Figure 2-14 Fix Cabinet and Bracing Frame with Fast Lock

- 3) Repeat the above steps to install the rest cabinets sequentially. For the cabinets that have a bracing frame behind them, you need to fix the cabinets and the bracing frames with fast locks.

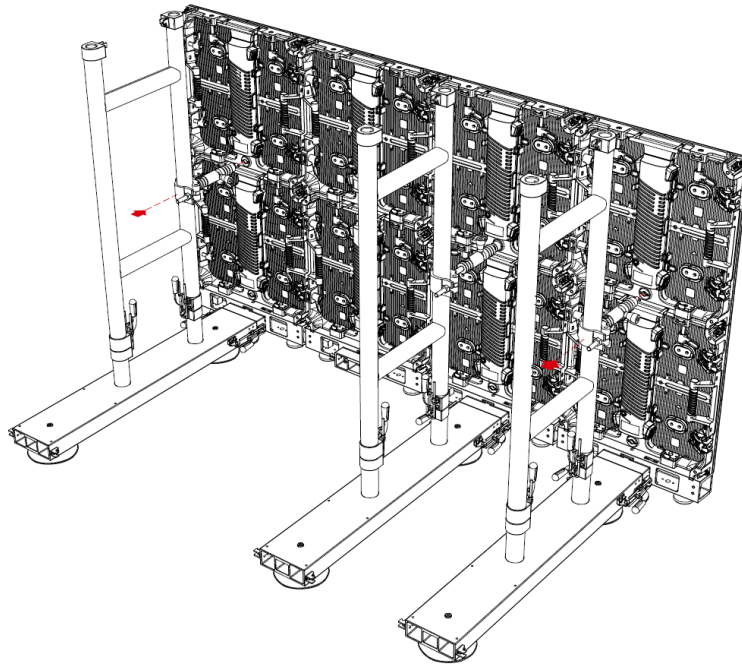


Figure 2-15 Install Rest Cabinets

Step 6 Install the telescoping crossbars between adjacent bracing frames.

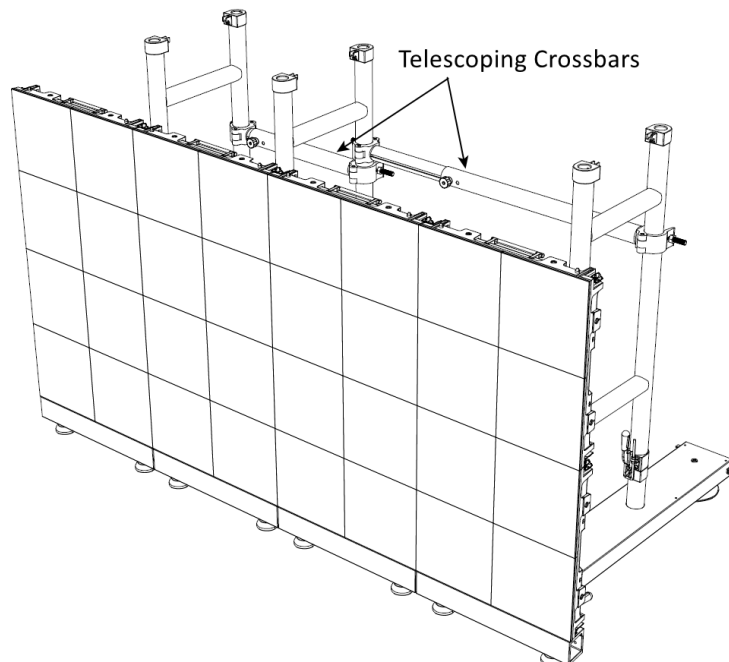


Figure 2-16 Install Telescoping Crossbars

Step 7 Repeat the above steps to install more cabinets as needed.

## Chapter 3 Cabinet Installation

### 3.1 Cabinet Overview

An LED cabinet is the basic unit used to build an LED display. It consists of a metal frame (made of cast aluminum), LED modules (i.e., lamp boards), and a power supply box that contains a built-in receiving card and switching power supply.

The product comes in the following cabinet specifications.

Table 3-1 Cabinet Specifications

Series	Cabinet Dimensions (W × H × D)	Indoor/Outdoor	Pixel Pitch	Resolution
Aries	500 mm × 500 mm × 69 mm	Indoor	P2.6	192 × 192
			P2.9	168 × 168
			P3.9	128 × 128
		Outdoor	P2.9	168 × 168
	P3.9		128 × 128	
	500 mm × 1000 mm × 69 mm (for standard-edge cabinets only)	Indoor	P2.9	168 × 336
			P3.9	128 × 256
		Outdoor	P2.9	168 × 336
P3.9			128 × 256	
Aries Pro	500 mm × 500 mm × 69 mm	Indoor	P1.9	256 × 256
			P2.6	192 × 192
			P2.9	168 × 168
		Outdoor	P2.9	168 × 168
			P3.9	128 × 128
	500 mm × 1000 mm × 69 mm (for standard-edge cabinets only)	Indoor	P2.9	168 × 336
		Outdoor	P2.9	168 × 336
			P3.9	128 × 256

Based on the edge type, the cabinets can be classified into 2 categories.

- Standard-edge rental cabinets: These cabinets have standard right-angle edges and are available with two lock options: standard fast locks and curved locks. Cabinets with standard fast locks can be assembled into flat LED display screens, while those with curved locks allow for curved LED display screen configurations (supported connection angle range is from  $-10^{\circ}$  to  $+10^{\circ}$ ).

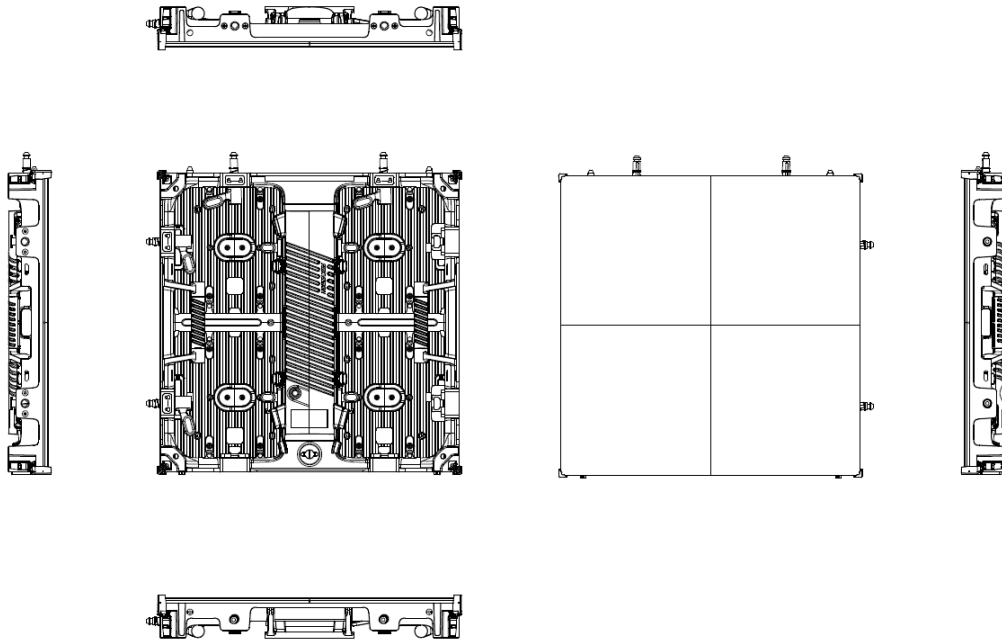


Figure 3-1 500 mm × 500 mm × 69 mm Indoor Cabinet (With Standard Lock)

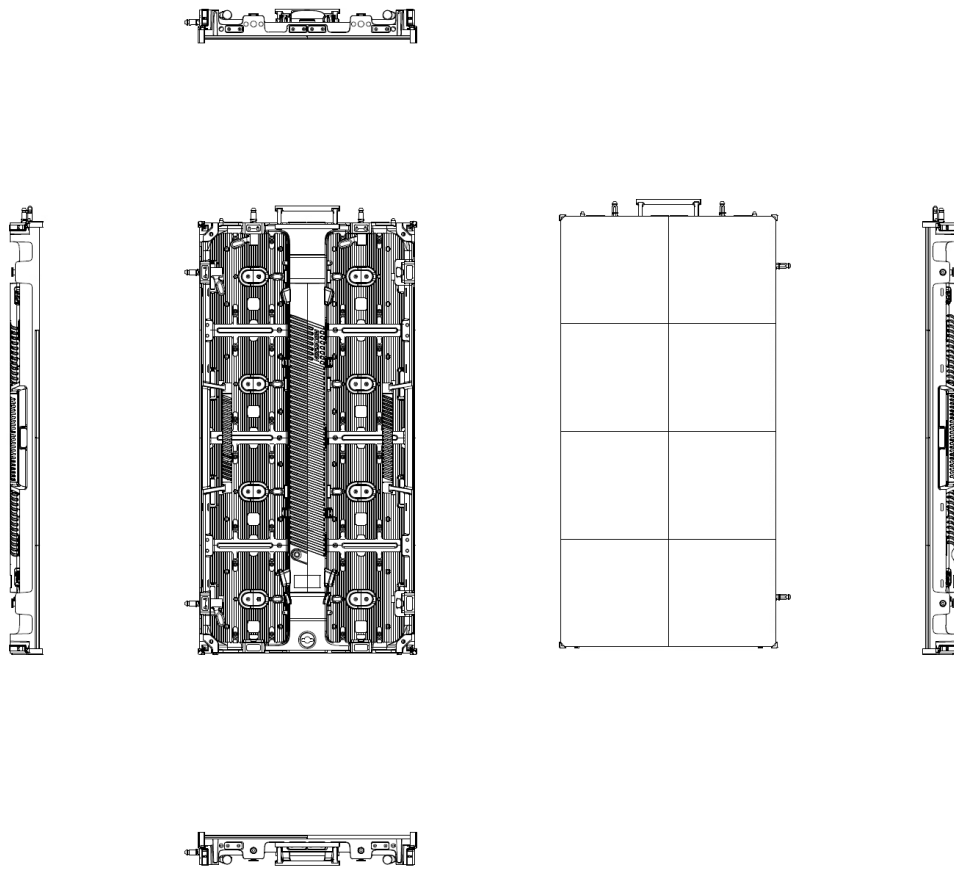


Figure 3-2 500 mm × 1000 mm × 69 mm Indoor Cabinet (With Standard Lock)

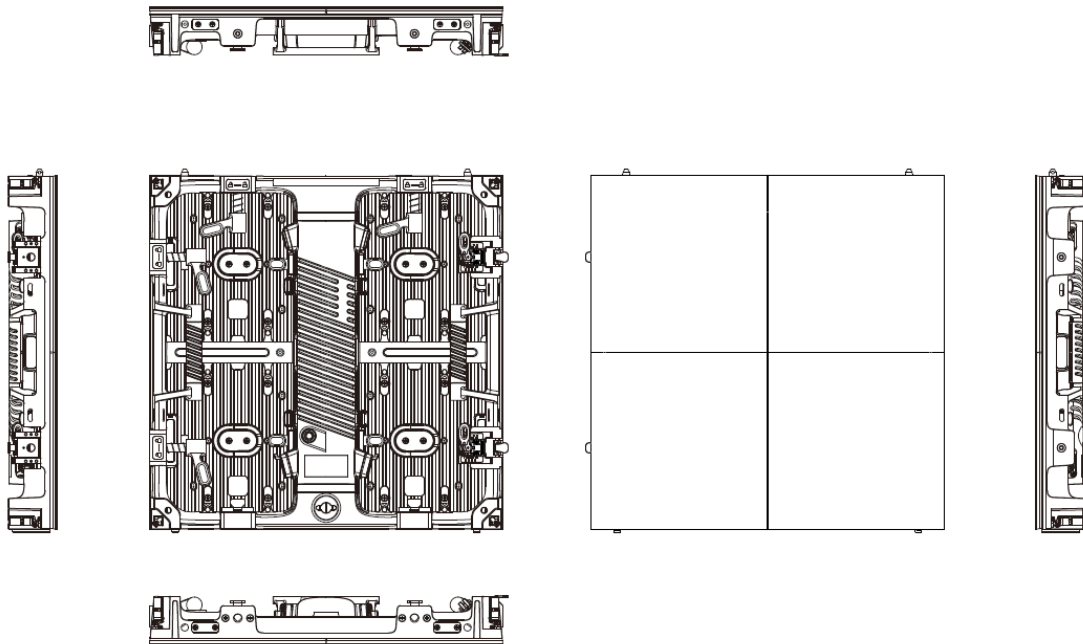


Figure 3-3 500 mm × 500 mm × 69 mm Indoor Cabinet (With Curved Lock)

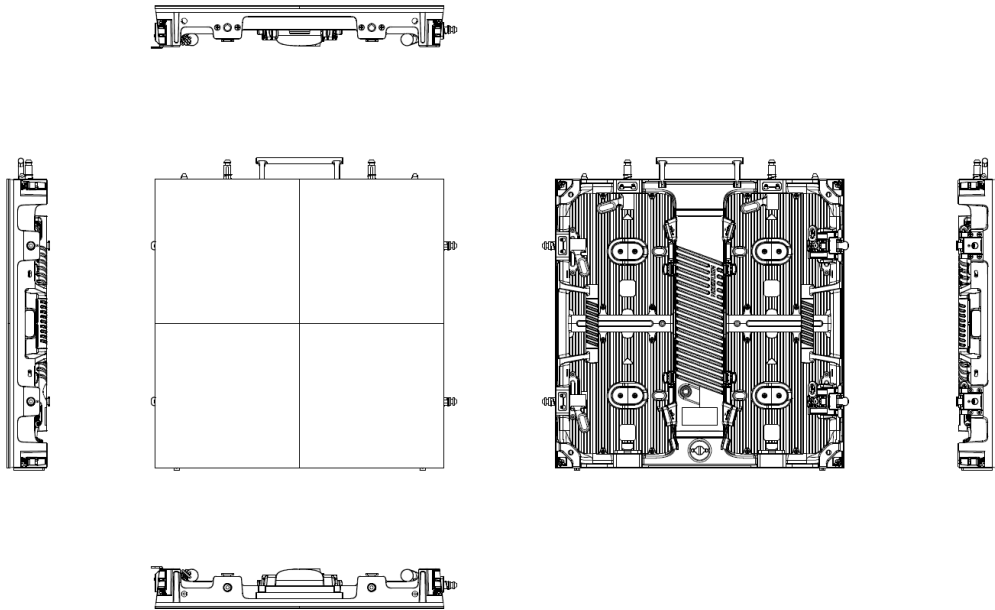


Figure 3-4 500 mm × 500 mm × 69 mm Outdoor Cabinet (With Curved Lock)

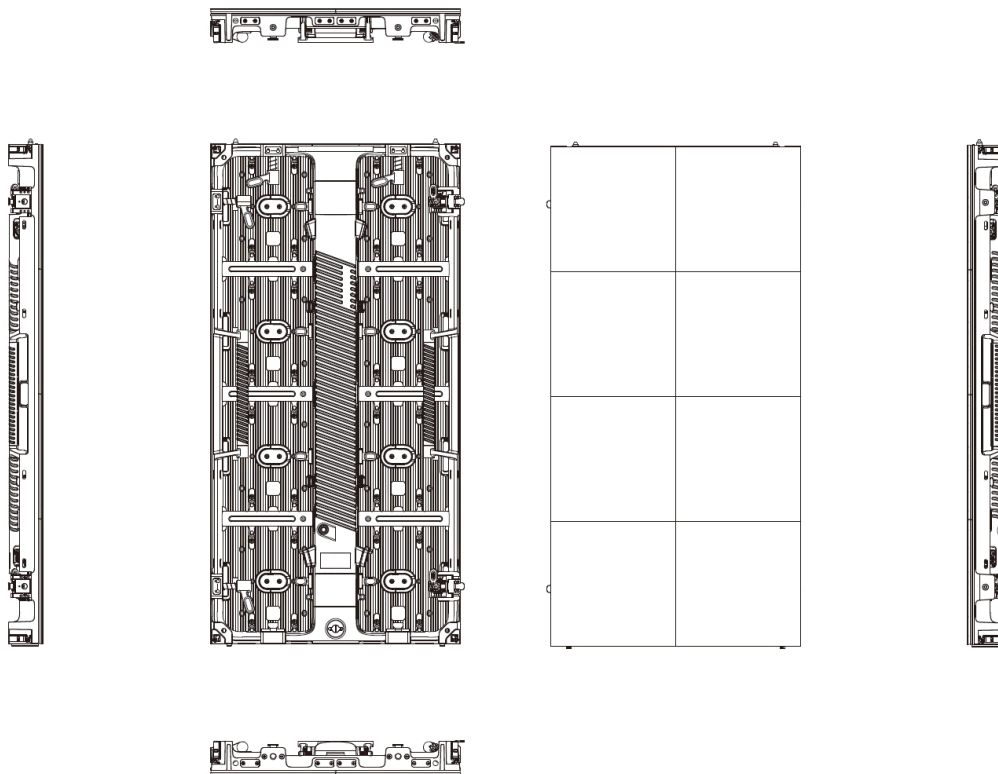


Figure 3-5 500 mm × 1000 mm × 69 mm Indoor Cabinet (With Curved Lock)

- 45° edge-cutting cabinets: These cabinets feature 45° beveled edges and come with curved locks, enabling seamless installation for right-angle and cube-shaped display setups.

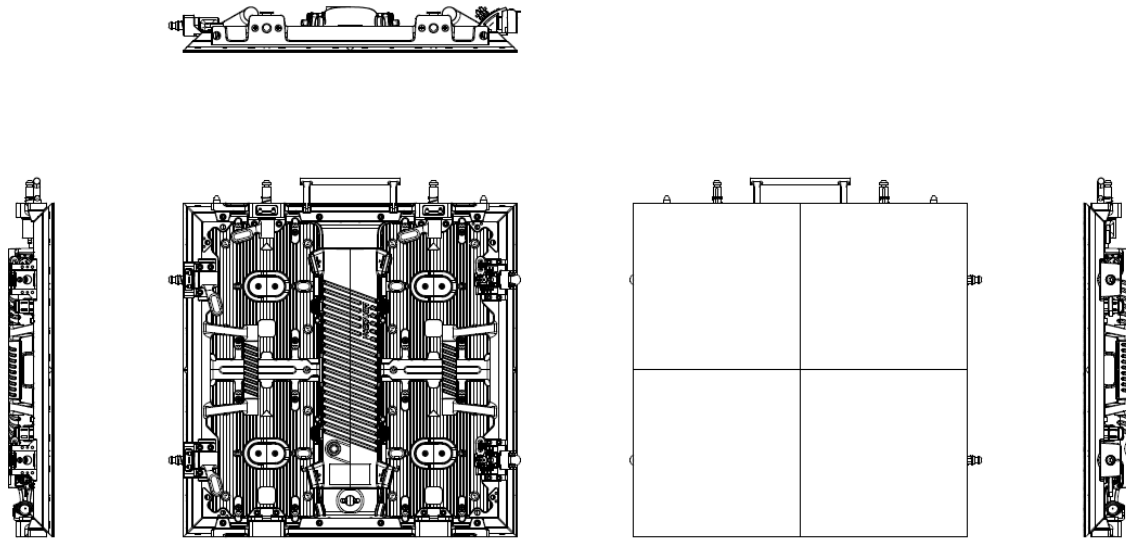


Figure 3-6 500 mm × 500 mm × 69 mm Edge-Cutting Cabinet (Indoor)

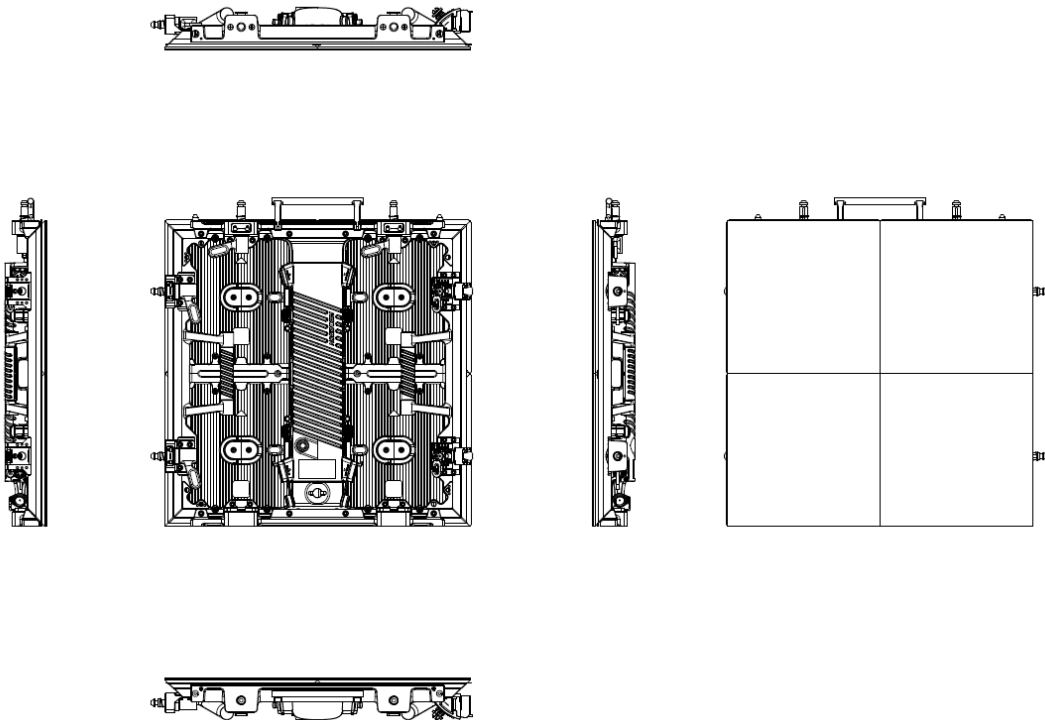


Figure 3-7 500 mm × 500 mm × 69 mm Edge-Cutting Cabinet (Outdoor)

## 3.2 Precautions

Read the following precautions carefully before you install the device:

- Disconnect the device from power supply, and wait at least two minutes before operating the device, as residual electric discharge may persist briefly.
- Use only the original power cords provided with the device. To purchase replacement cords, contact authorized dealers for units with identical specifications.
- Avoid frequently plugging or unplugging the power cords while the device is powered on.
- To reduce the risk of fire or electric shock, do not expose the device to rain or humid environment.
- Avoid humid or high-PH environment to prevent damage to the LED lamps.

## 3.3 Stitch Cabinet Frames



Since the product has different models, the following description takes indoor cabinets for illustration. The actual model prevails.

### 3.3.1 Locate Cabinet Frames

A cabinet is equipped with vertical fast locks and horizontal fast locks as shown in the figures below. You can adjust the location of a cabinet frame briefly based on its locking system.

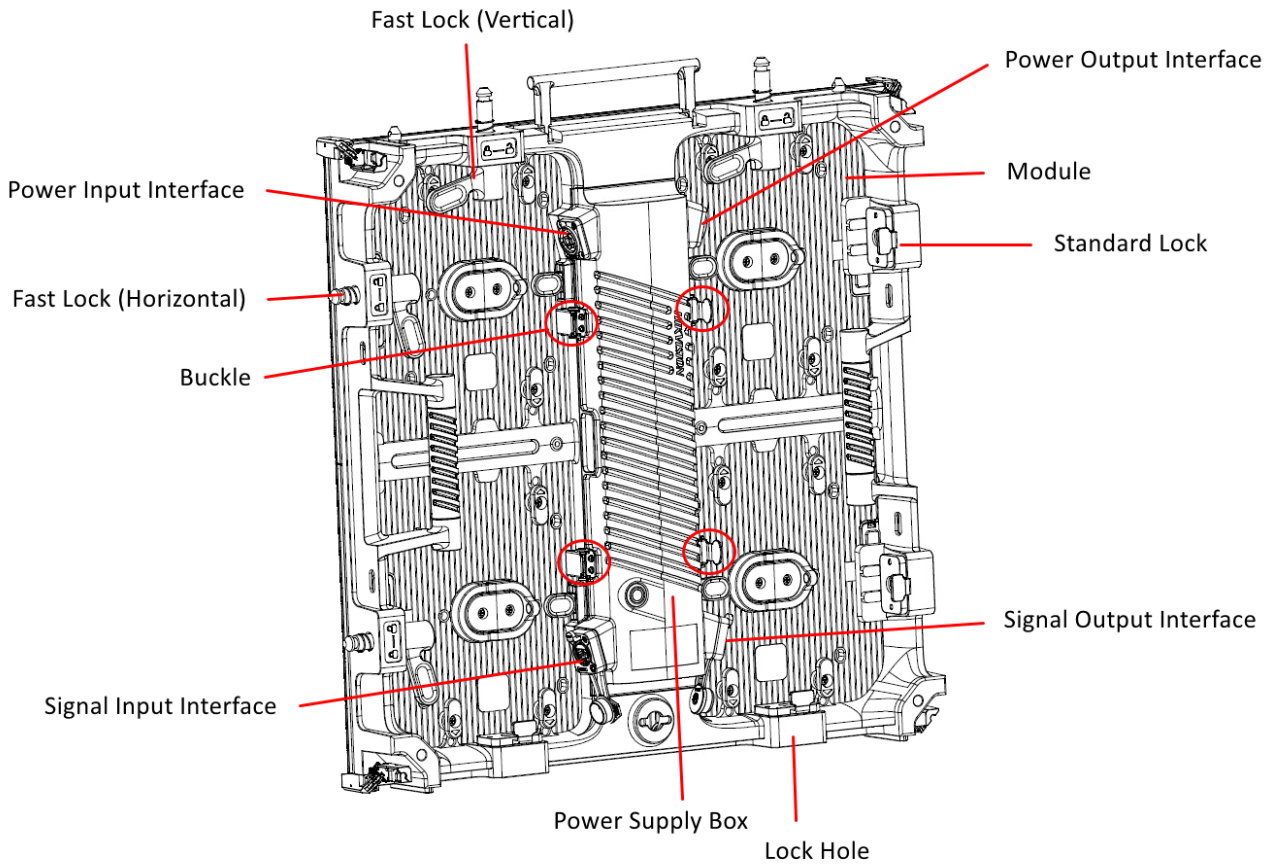


Figure 3-8 Standard-Edge Cabinet Structure (with Standard Lock)

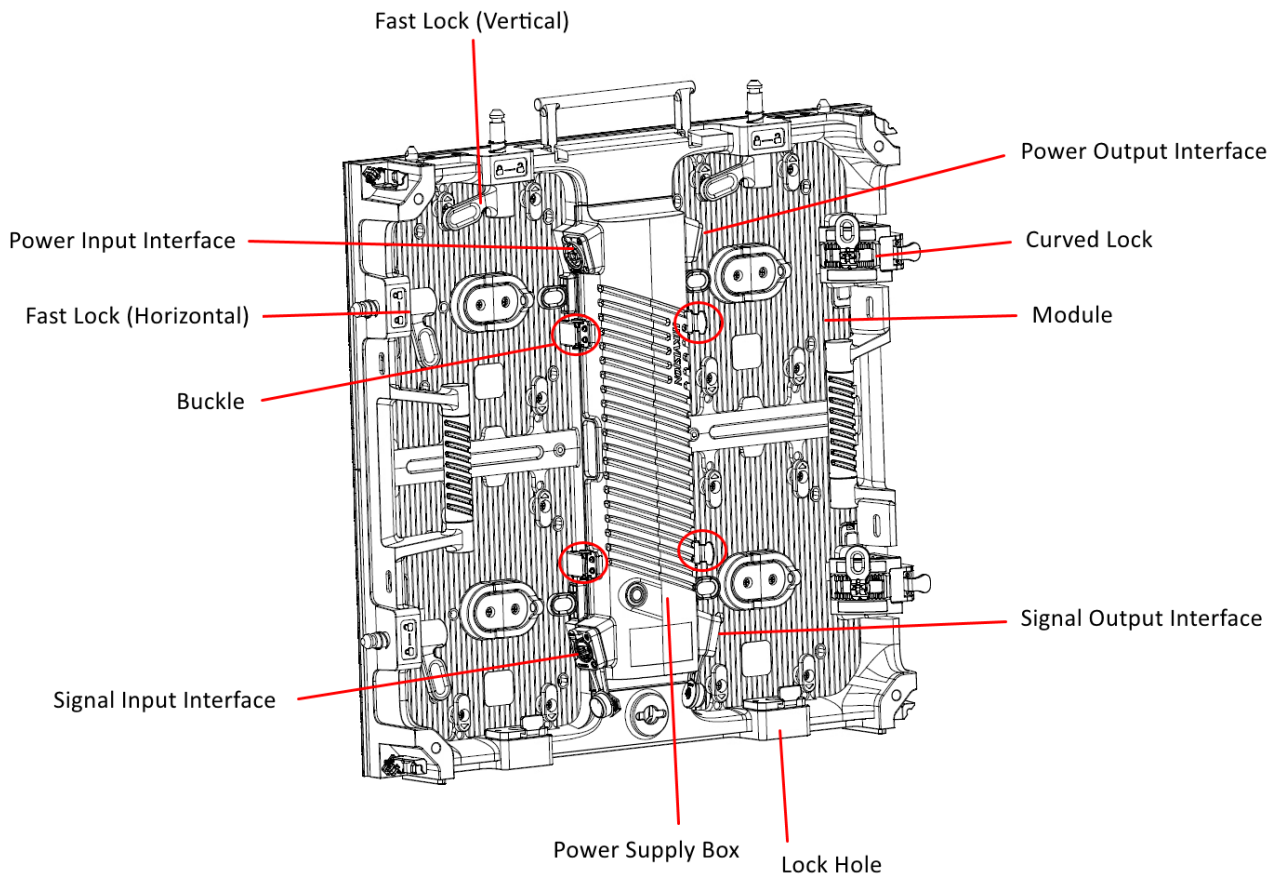


Figure 3-9 Standard-Edge Cabinet Structure (with Curved Lock)

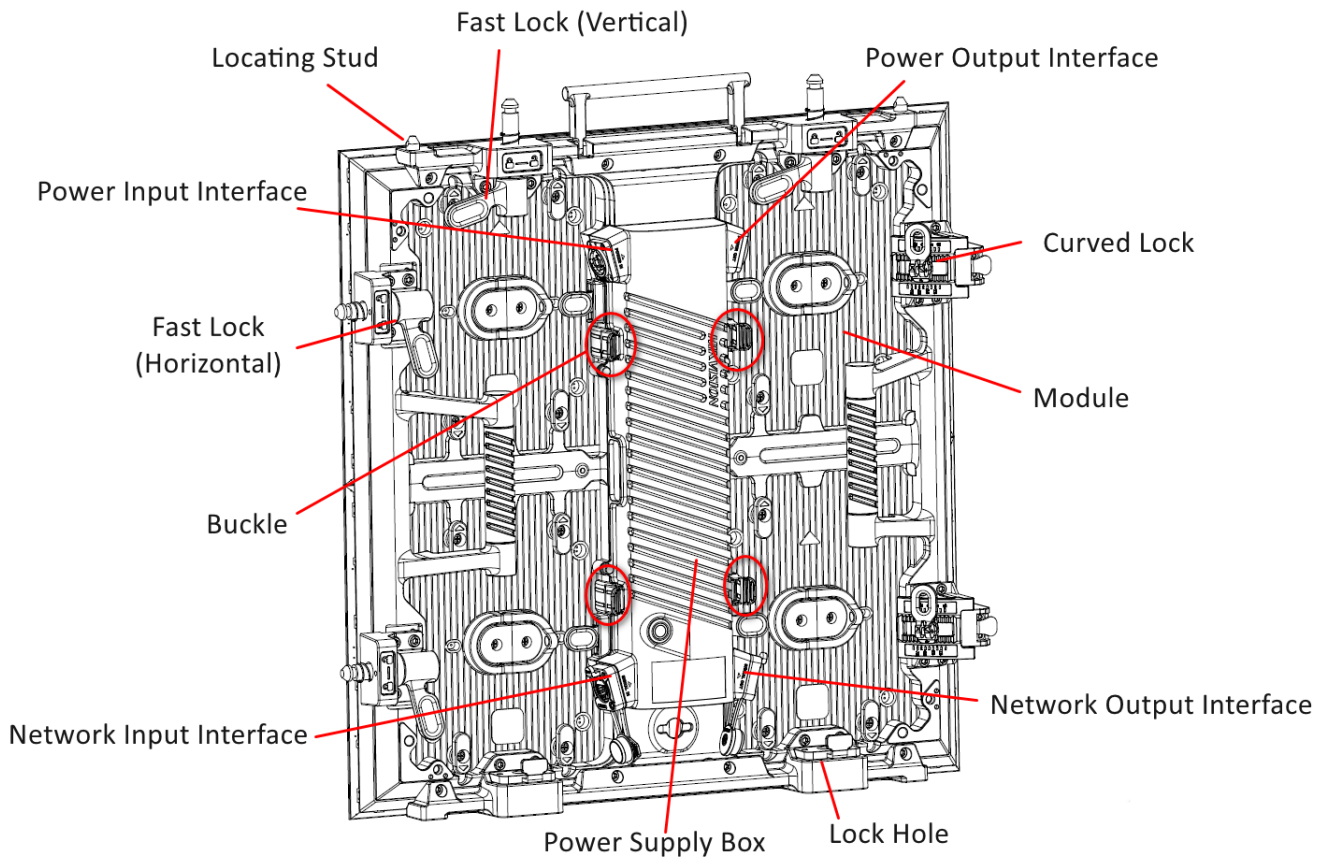
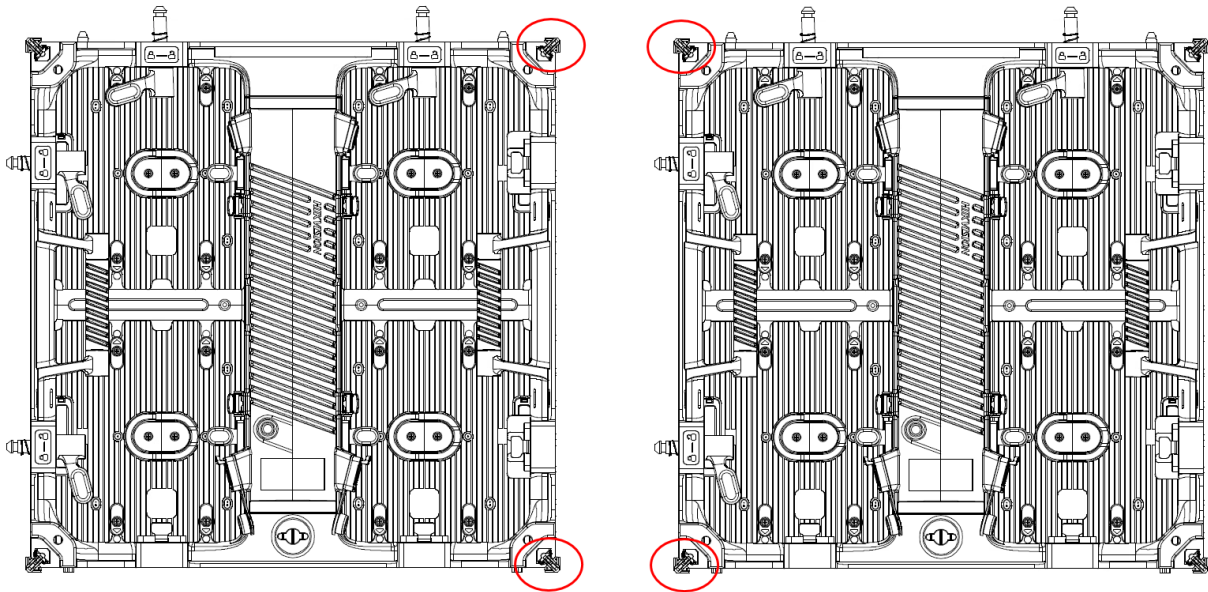


Figure 3-10 Edge-Cutting Cabinet Structure

### 3.3.2 Stitch Cabinet Frames Horizontally

#### Stitch Horizontally with Standard Locks (for Standard-Edge Cabinets Only)

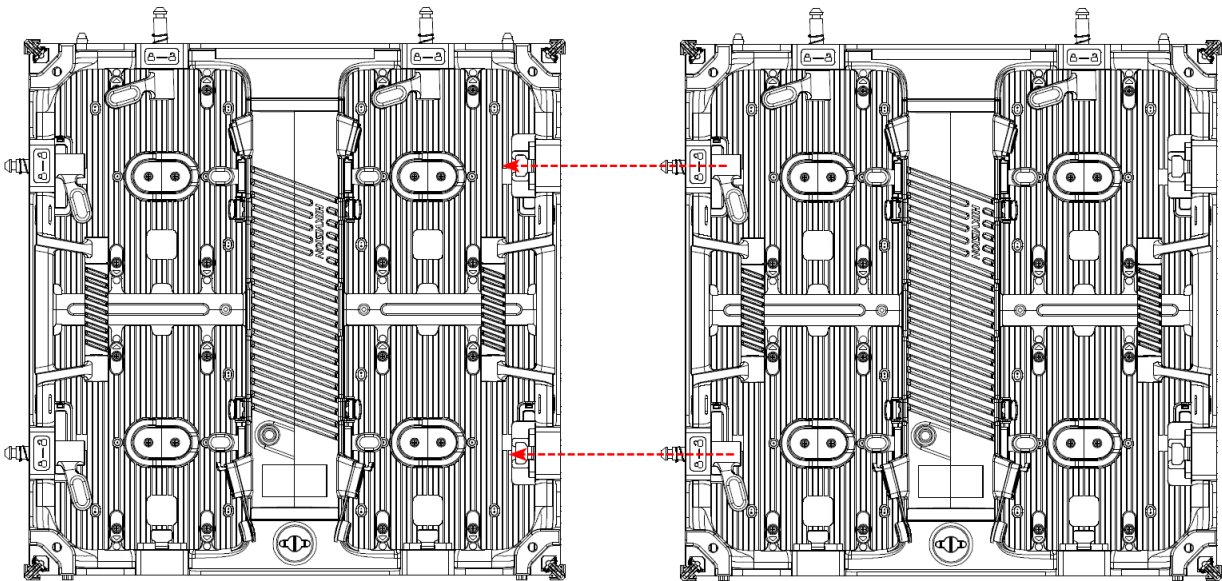
Step 1 Open the four corner protectors on the adjacent cabinet frames.



Open Corner Protectors

Figure 3-11 Open Corner Protectors

Step 2 Align the horizontal fast locks with the horizontal lock holes of the two adjacent cabinet frames, and adjust the cabinet frames to be relatively level.



Align Fast Locks with Lock Holes from Right to Left

Figure 3-12 Stitch Cabinets Horizontally

Step 3 Insert the fast locks of the right cabinet frame counterclockwise into the lock holes of the left cabinet frames to secure it tightly.

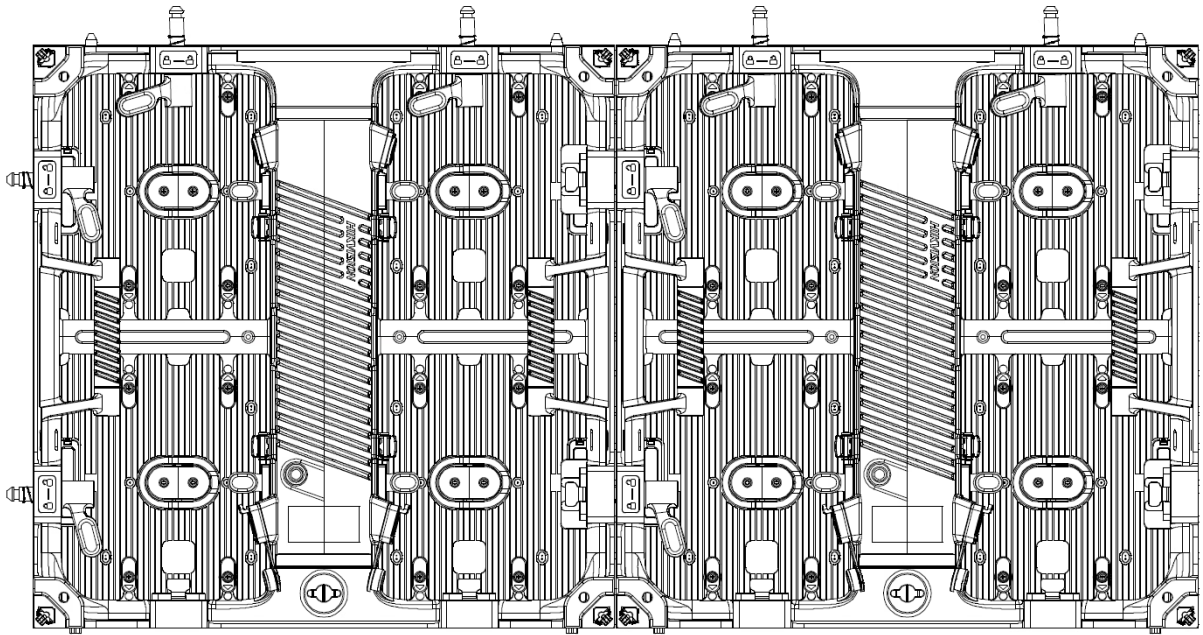


Figure 3-13 Cabinets Stitched

Step 4 (Optional) To unlock the adjacent cabinets, rotate the fast lock clockwise to the unlocked status and press the fast lock plates on the adjacent left cabinet frame to unlock the two cabinets.

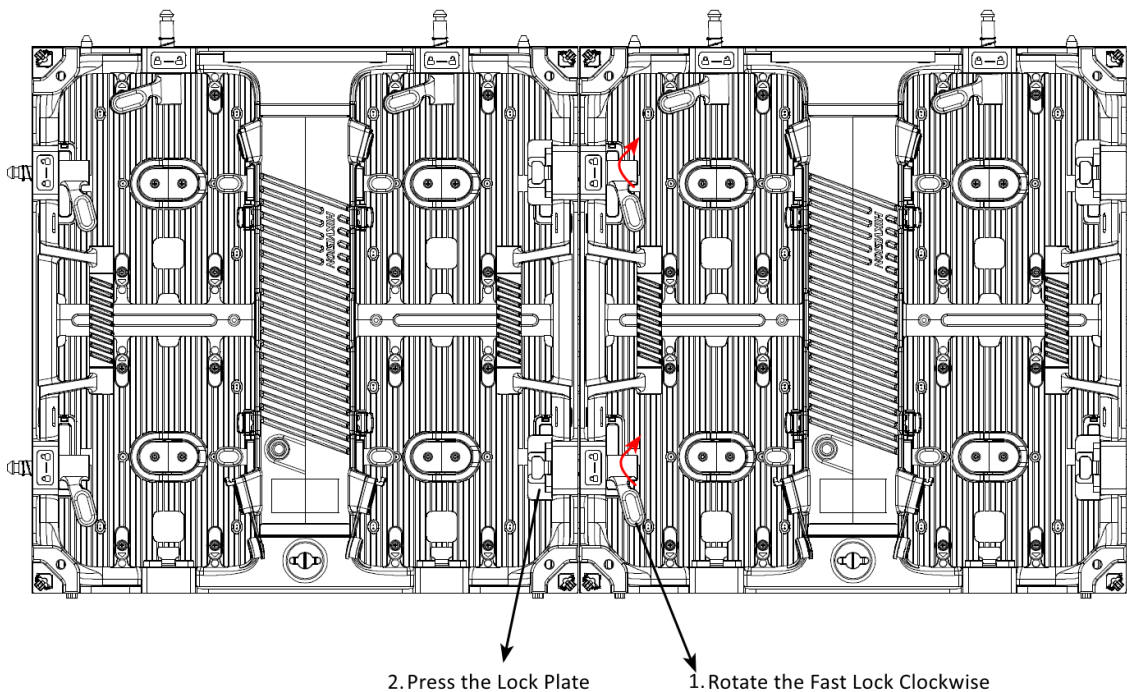


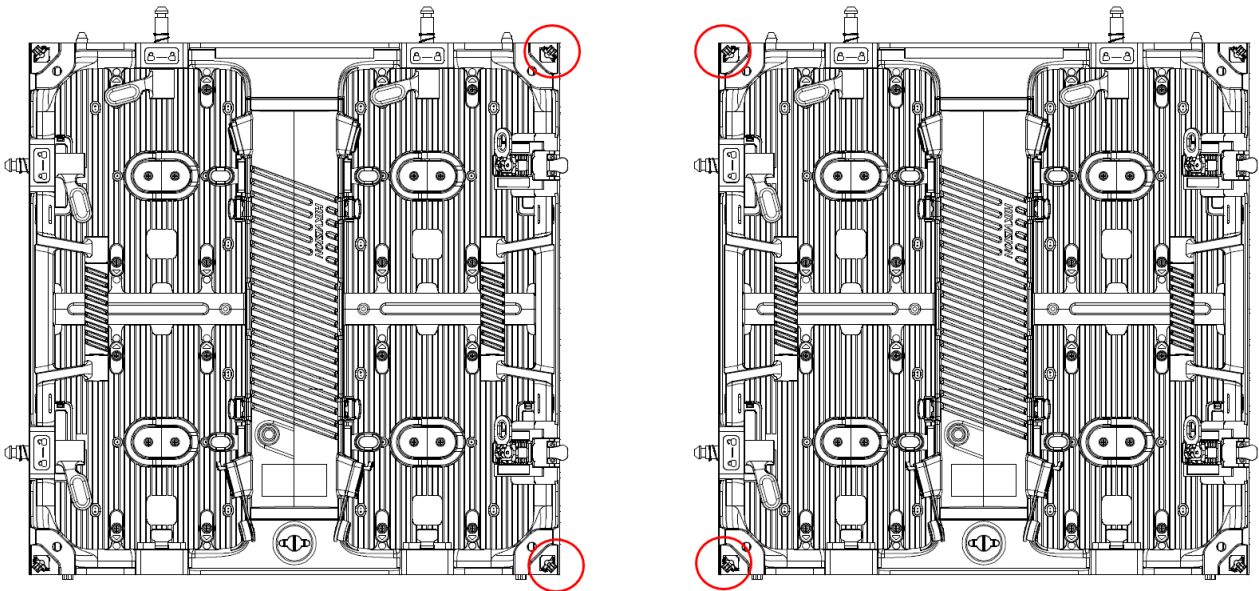
Figure 3-14 Unlock Adjacent Cabinets

### Stitch Horizontally with Curved Locks

Standard-edge cabinet frames and edge-cutting cabinet frames of the same dimensions can be stitched horizontally with any combination.

Step 1 Open the four corner protectors on the adjacent cabinet frames.

Skip this step for edge-cutting cabinet frames.



Open Corner Protectors

Figure 3-15 Open Corner Protectors of Standard-Edge Cabinets

Step 2 Adjust the two curved locks on the left cabinet to the required splicing angle, and adjust the adjacent cabinet frames to be relatively level.

Step 3 Align the fast locks of the right cabinet with the curved lock holes of the left cabinet.

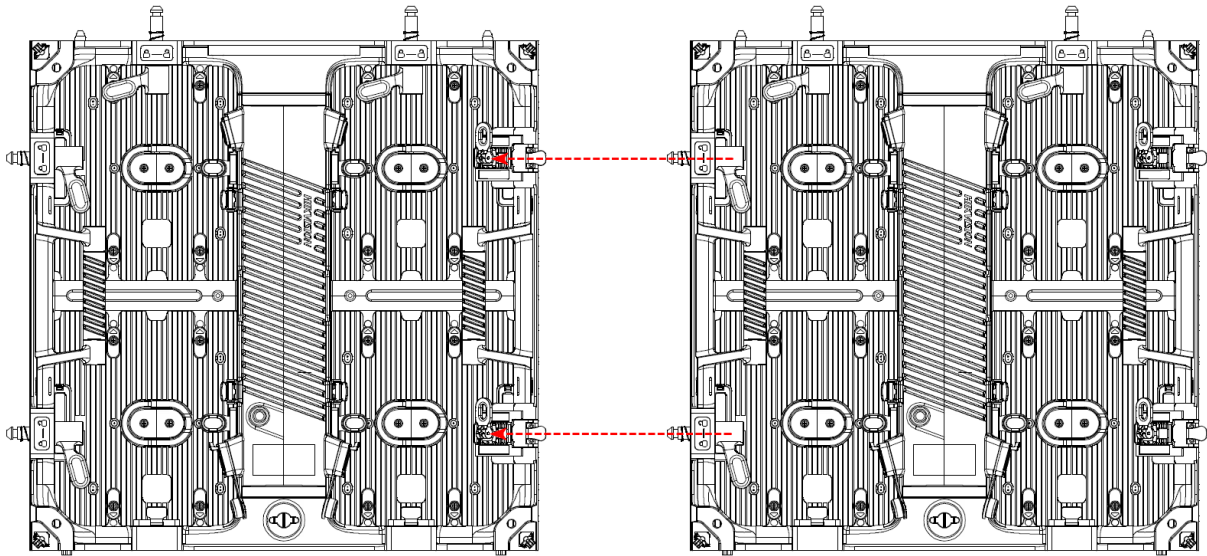


Figure 3-16 Align Two Standard-Edge Cabinets Horizontally

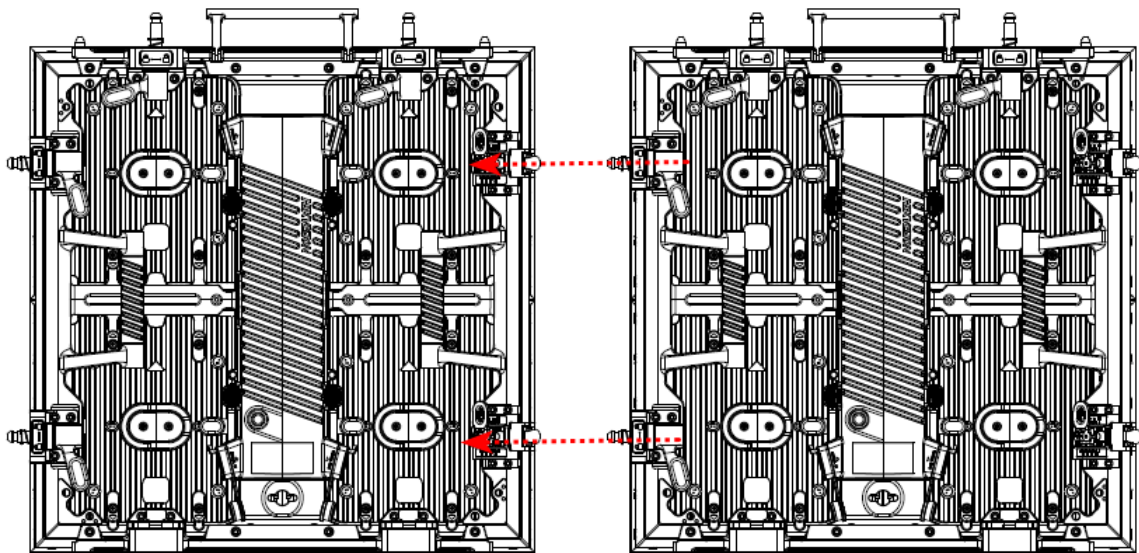


Figure 3-17 Align Two Edge-Cutting Cabinets Horizontally

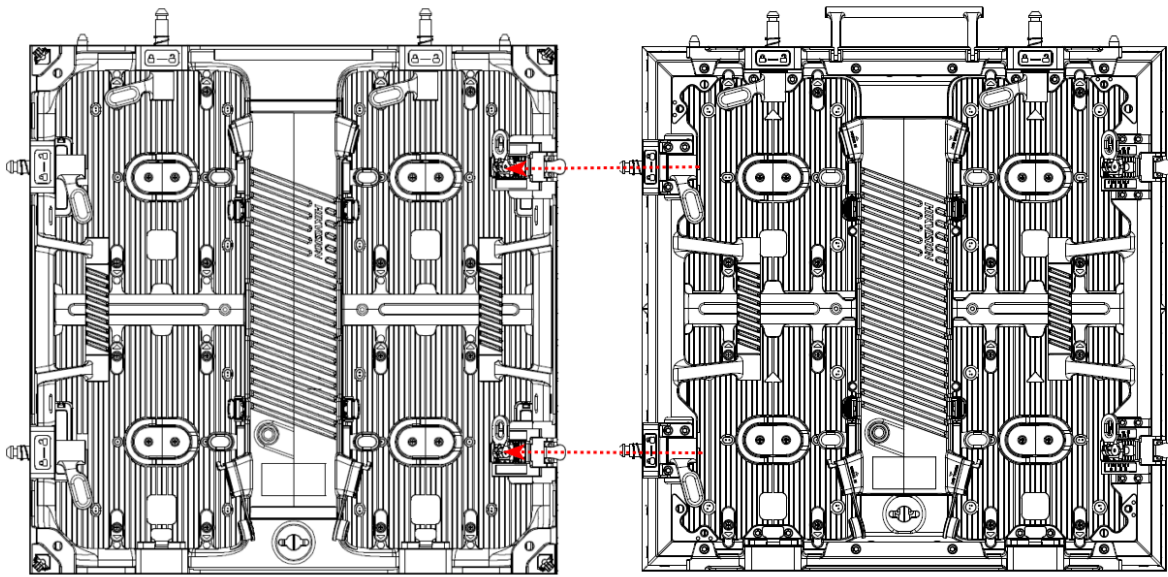


Figure 3-18 Align an Edge-Cutting Cabinet with a Standard-Edge Cabinet Horizontally

Step 4 Insert the fast locks of the right cabinet frame counterclockwise to secure them tightly.

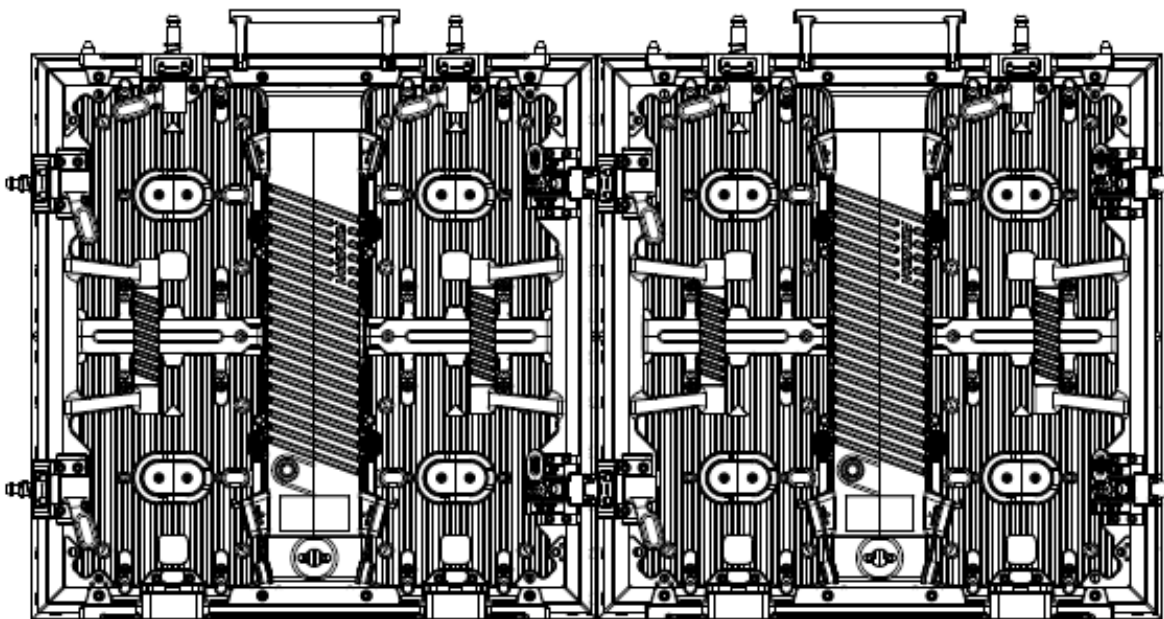


Figure 3-19 Two Edge-Cutting Cabinets Stitched Horizontally

Step 5 (Optional) To unlock the adjacent cabinets, rotate the horizontal fast locks clockwise to the unlocked status and press the lock plates on the adjacent left cabinet to unlock the two cabinets. When unlocking, you can adjust the curved lock to a negative angle to facilitate separating the two cabinets.

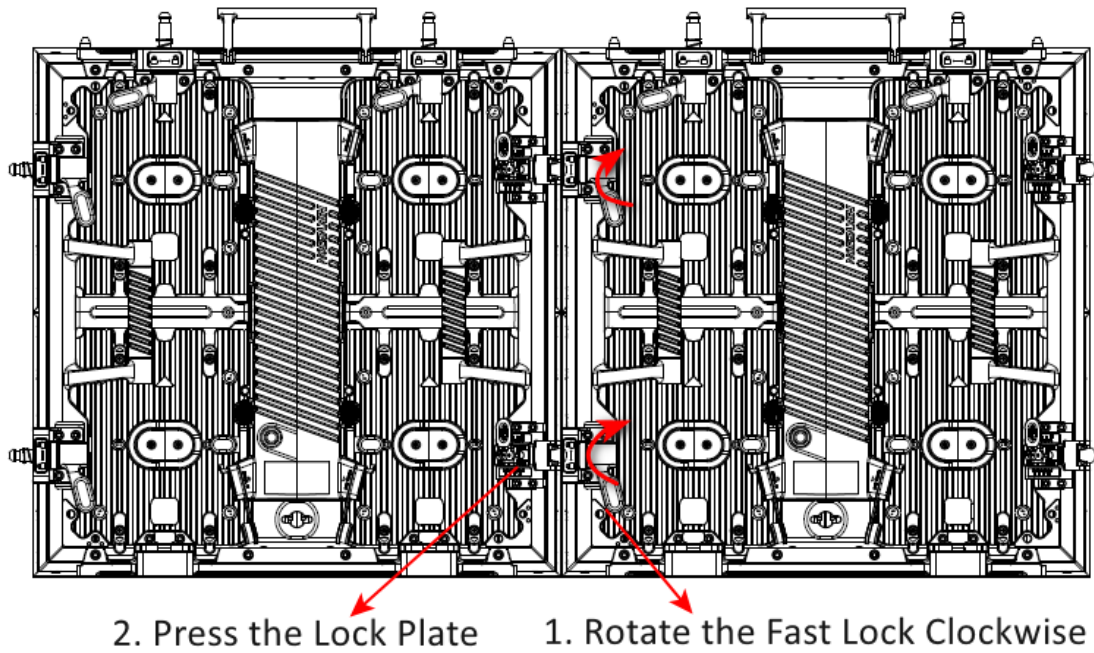
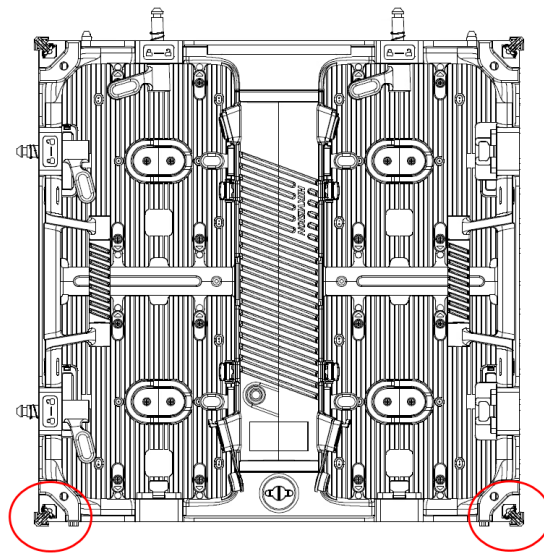


Figure 3-20 Unlock Adjacent Cabinets

### 3.3.3 Stitch Cabinet Frames Vertically

#### **Stitch Vertically with Standard Locks (for Standard-Edge Cabinets Only)**

Step 1 Open the four corner protectors on the adjacent cabinet frames.



Open Corner Protectors

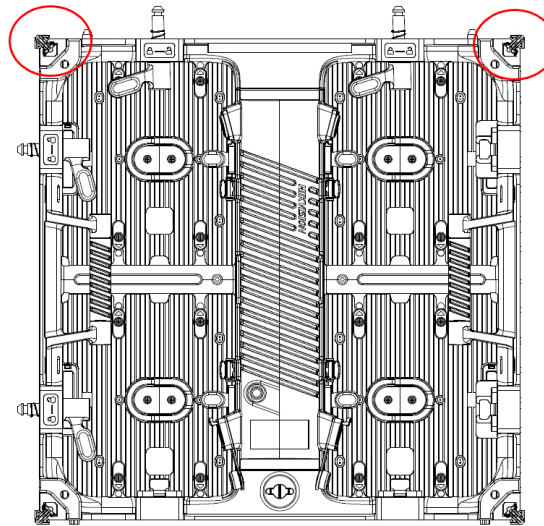
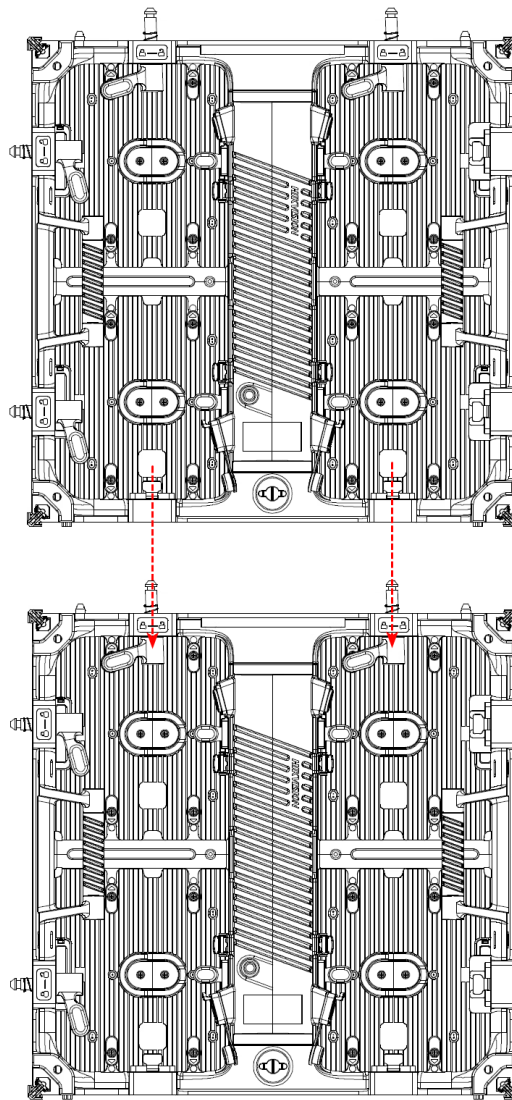


Figure 3-21 Open Corner Protectors

Step 2 Align the locks on the bottom of the upper cabinet with the vertical fast locks on the top of the lower cabinet, adjusting the two cabinet frames to be relatively vertical.



Align Vertical Lock Holes  
with Fast Locks from Top to Bottom

Figure 3-22 Stitch Cabinets Vertically

Step 3 Insert the fast locks on the top of the lower cabinet clockwise into the lock holes on the bottom of the upper cabinet to secure them tightly.

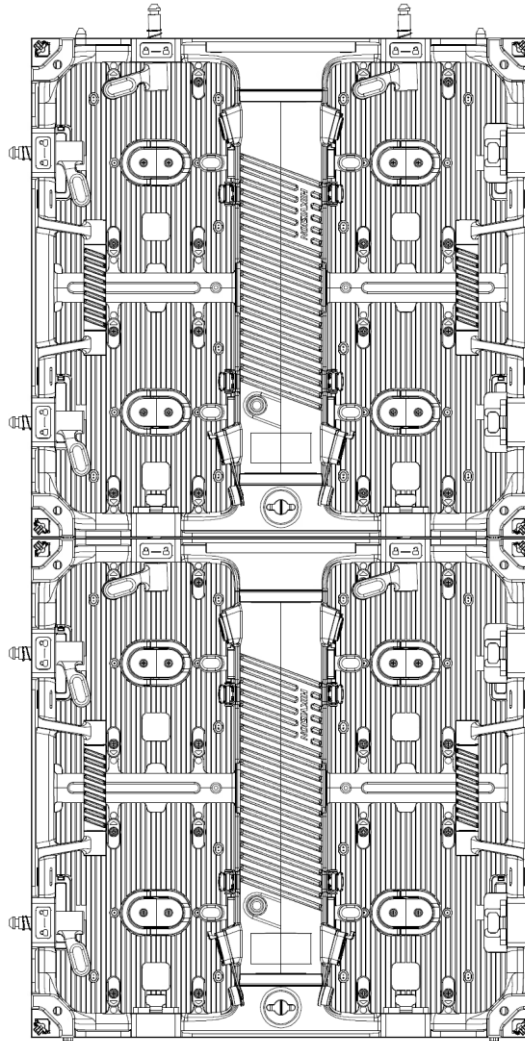


Figure 3-23 Cabinets Stitched

Step 4 (Optional) To unlock the adjacent cabinets, rotate the fast locks on the top of the lower cabinet counterclockwise to the unlocked status and press the lock plate on the bottom of the upper cabinet to unlock the cabinet frames.

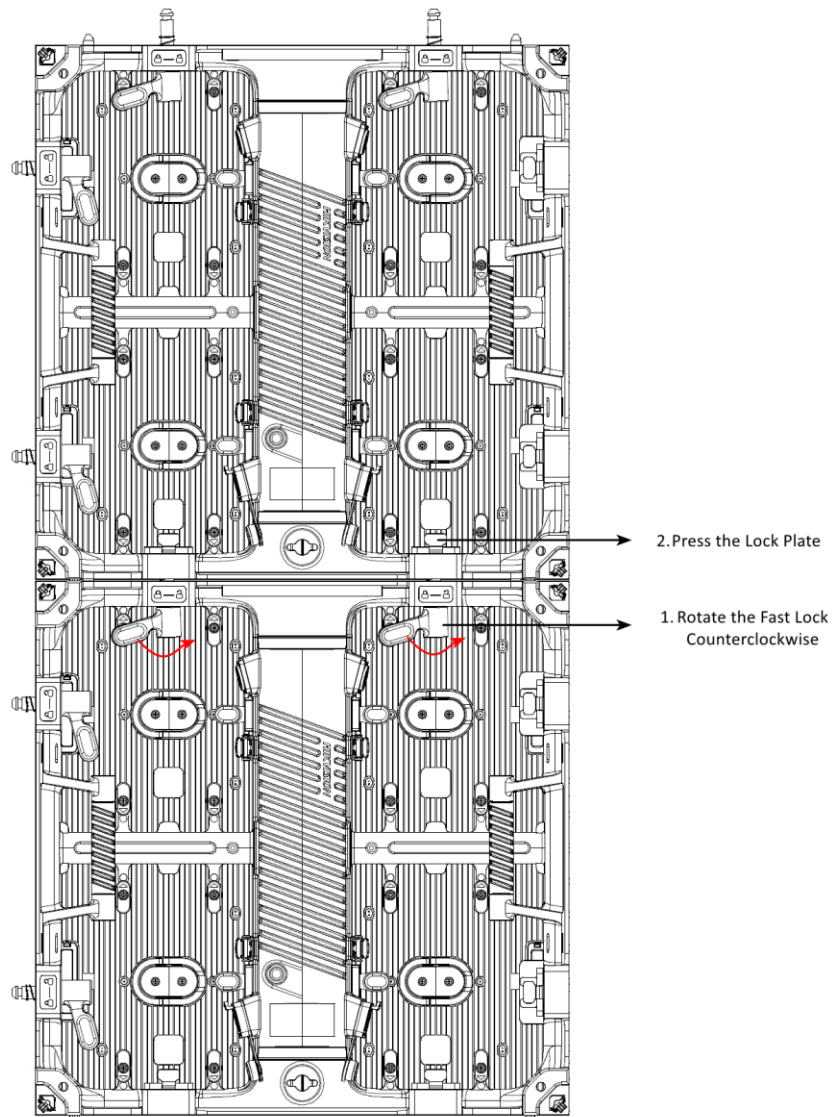


Figure 3-24 Unlock Adjacent Cabinets

### Stitch Vertically with Curved Locks

Standard-edge cabinet frames and edge-cutting cabinet frames of the same dimensions can be stitched vertically with any combination.

Step 1 Open the four corner protectors on the adjacent cabinet frames.

Skip this step for edge-cutting cabinet frames.

Step 2 Align the locks on the bottom of the upper cabinet with the vertical fast locks on the top of the lower cabinet, adjusting the two cabinet frames to be relatively vertical.

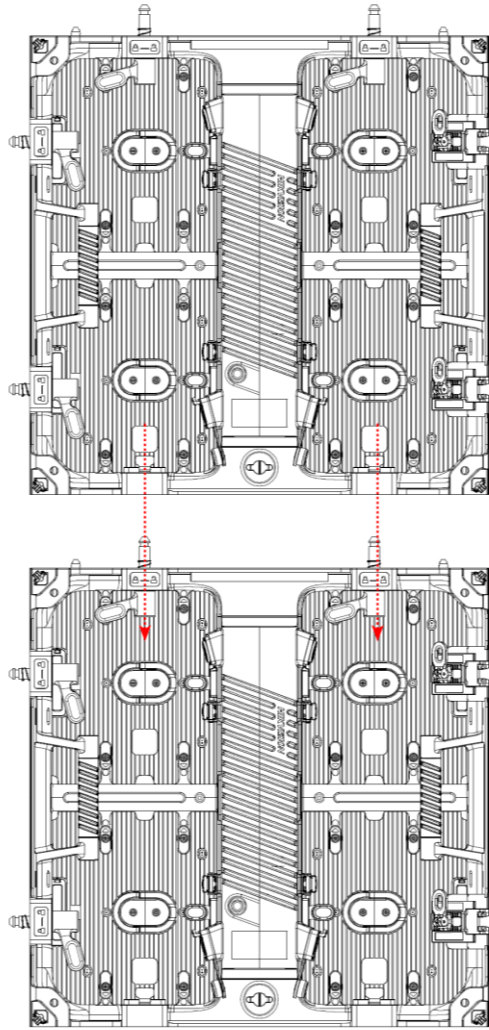


Figure 3-25 Align Two Standard-Edge Cabinets Vertically

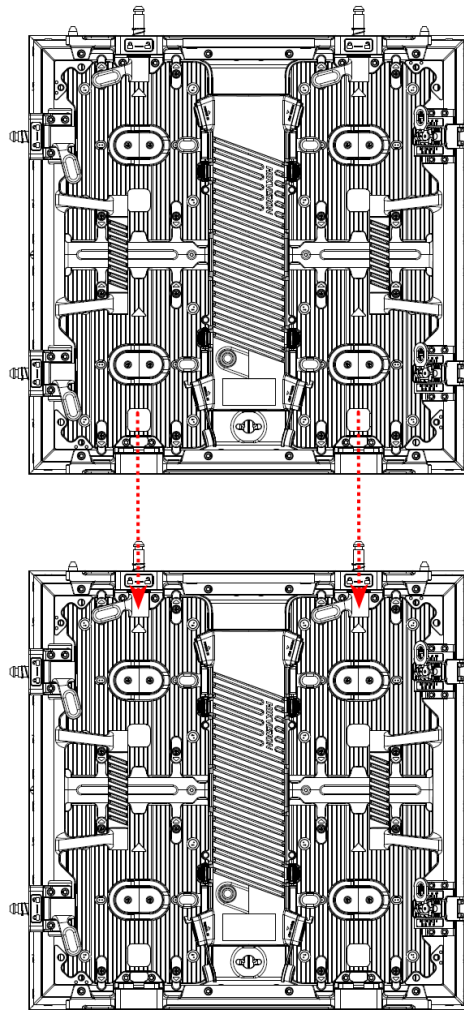


Figure 3-26 Align Two Edge-Cutting Cabinets Vertically

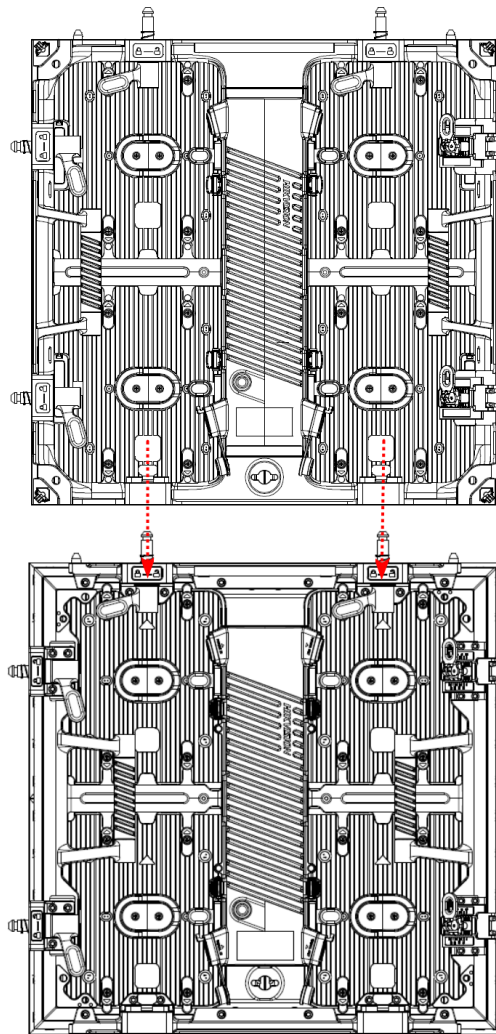


Figure 3-27 Align an Edge-Cutting Cabinet with a Standard Cabinet Vertically

Step 3 Insert the fast locks on the top of the lower cabinet clockwise into the lock holes on the bottom of the upper cabinet to secure them tightly.

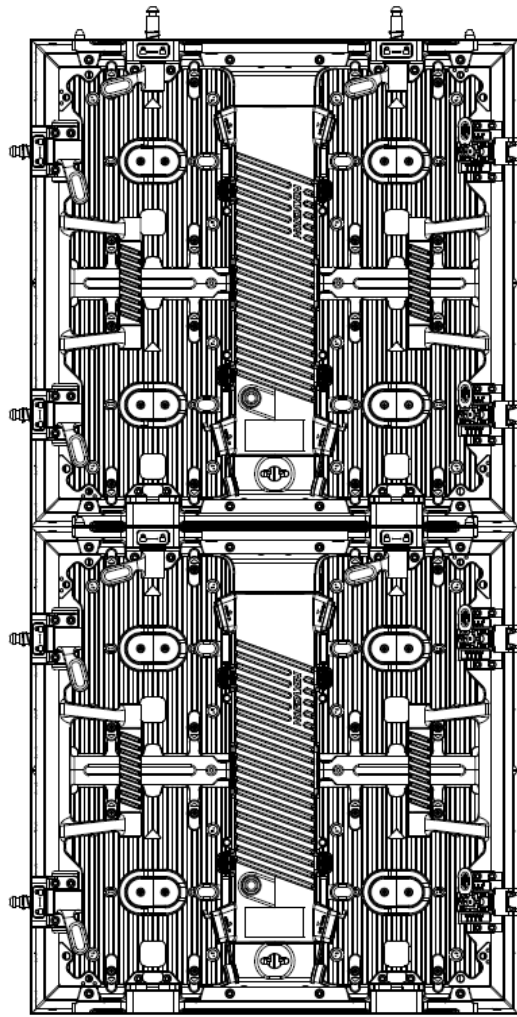


Figure 3-28 Two Edge-Cutting Cabinets Stitched Vertically

Step 4 (Optional) To unlock the adjacent cabinets, rotate the fast locks on the top of the lower cabinet counterclockwise to the unlocked status and press the lock plate on the bottom of the upper cabinet to unlock the cabinet frames.

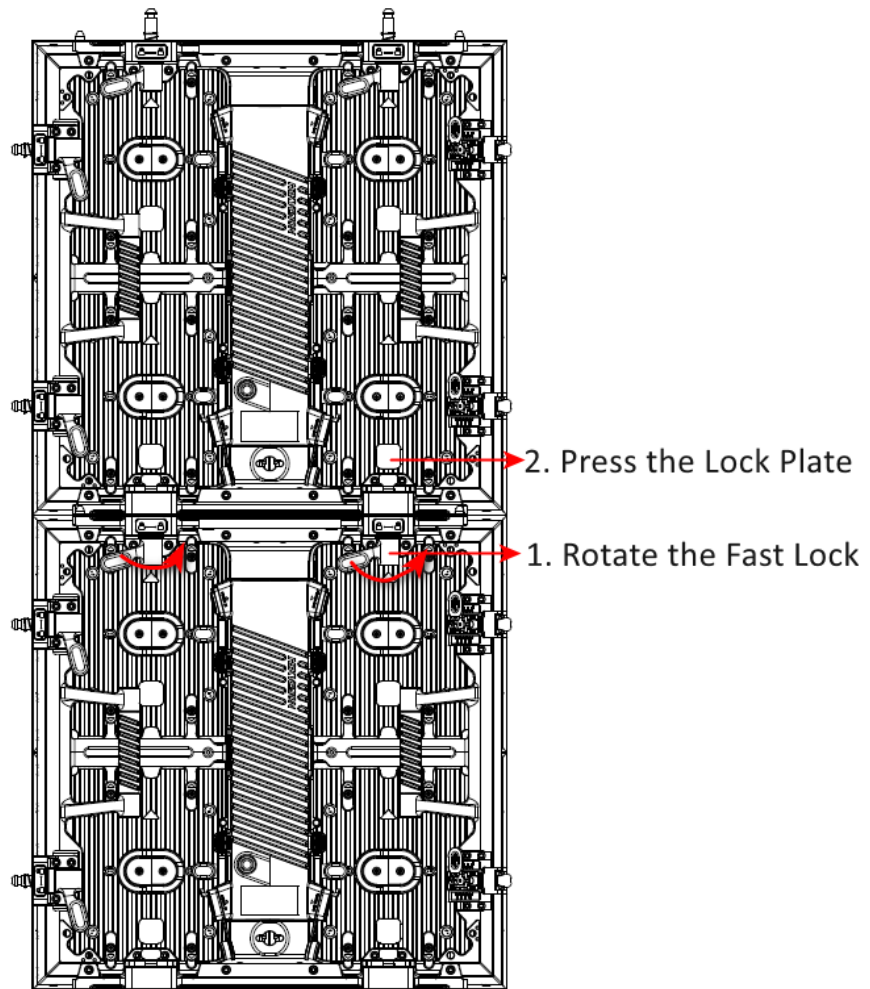


Figure 3-29 Unlock Adjacent Cabinets

### Mixed Stitching of Different Cabinet Frames

Cabinets of varying specifications can be mixed and stitched together. Please calculate and select the specific stitching method based on the width and height of each cabinet.

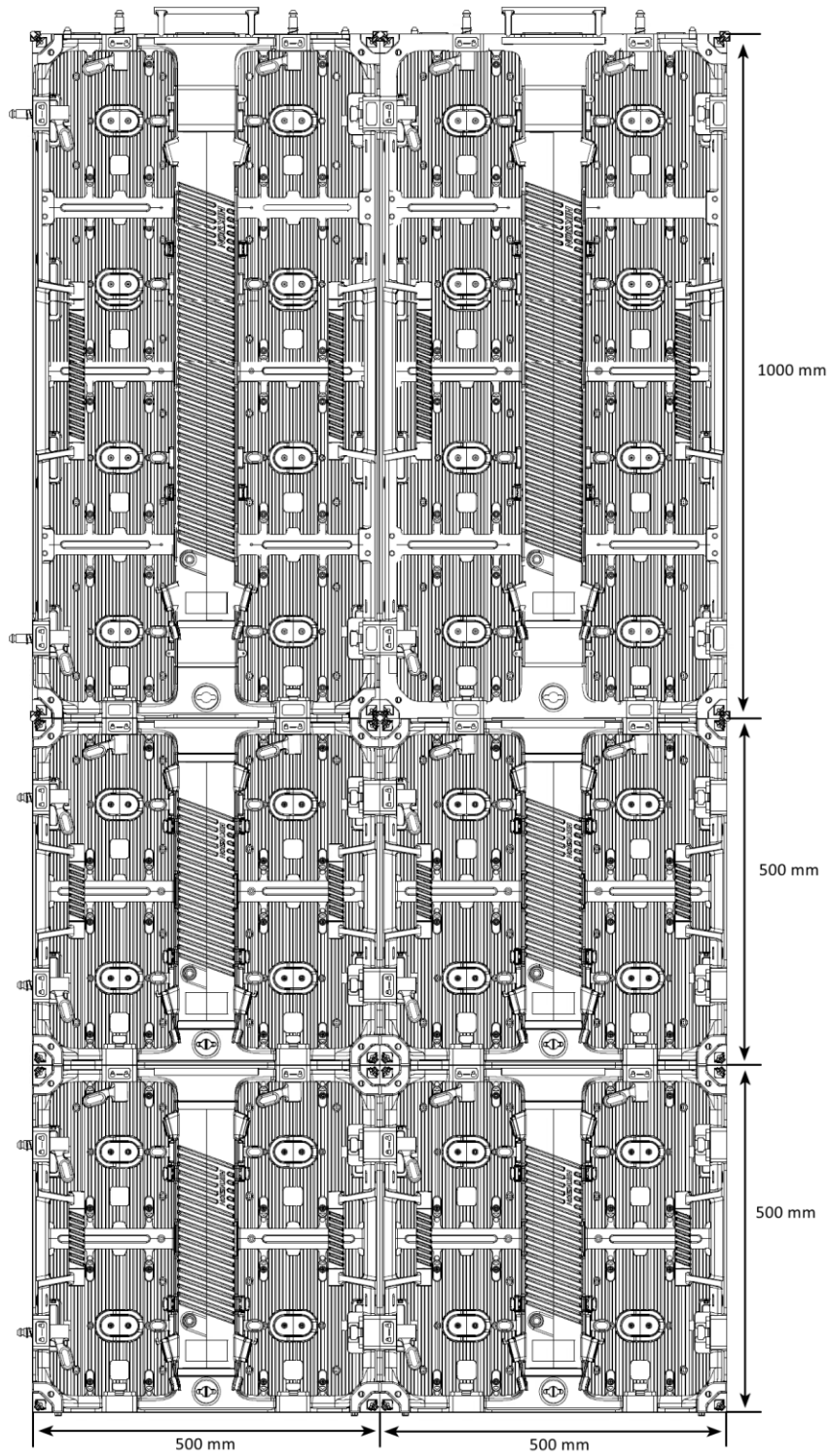


Figure 3-30 Mixed Stitching of Different Cabinets (With Standard Lock)

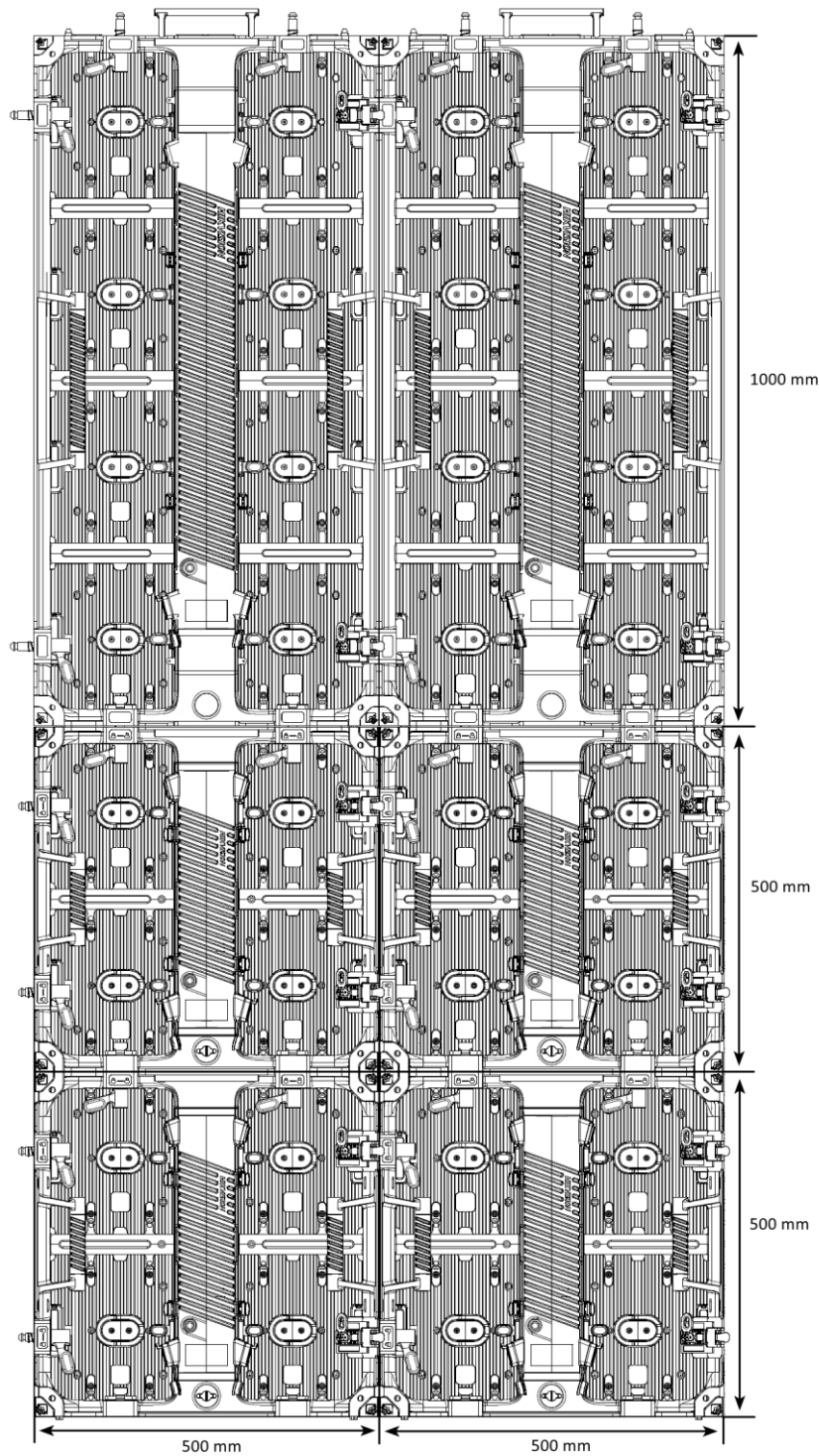


Figure 3-31 Mixed Stitching of Different Cabinets (With Curved Lock)

### 3.3.4 Stitch Edge-Cutting Cabinet Frames to a Right Angle

You can stitch two edge-cutting cabinets into a right angle with either right-angle locks or 3-way corner brackets.

### Stitch Edge-Cutting Cabinets to Right Angle with Right-Angle Locks

Step 1 Use a screwdriver to remove the screws securing the fast locks on the left side of a cabinet (the first cabinet).

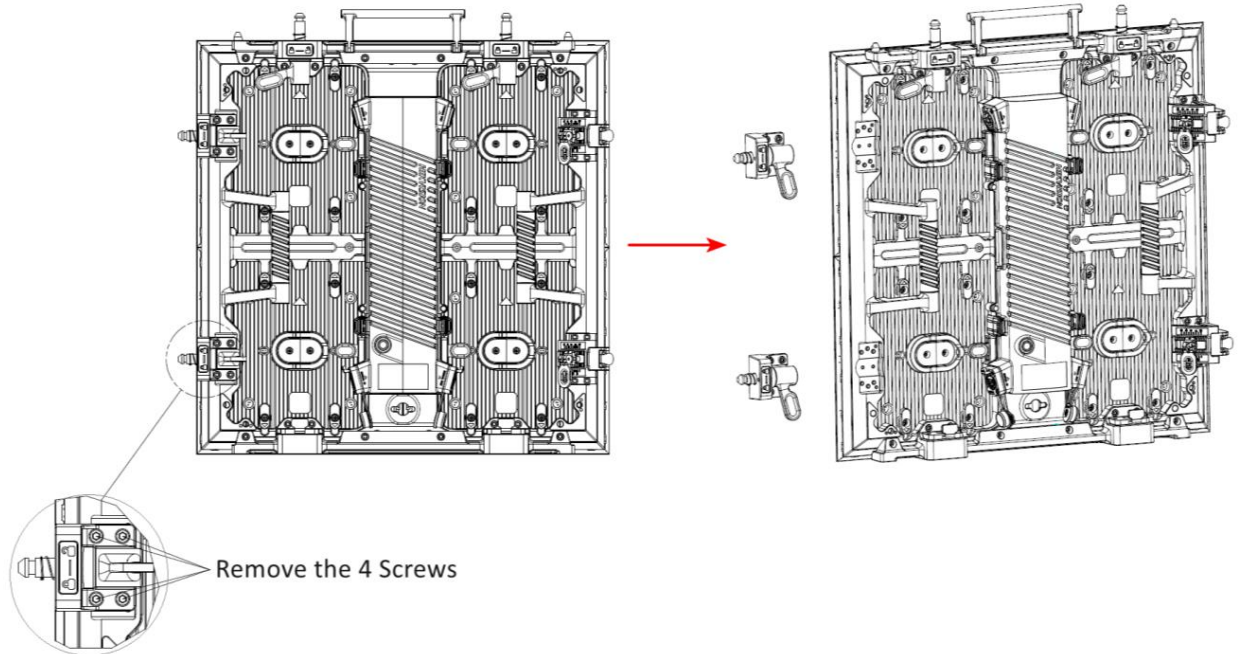


Figure 3-32 Remove Left-Side Fast Locks

Step 2 Use a screwdriver to remove the screws securing the curved locks on the right side of the other cabinet (the second cabinet).

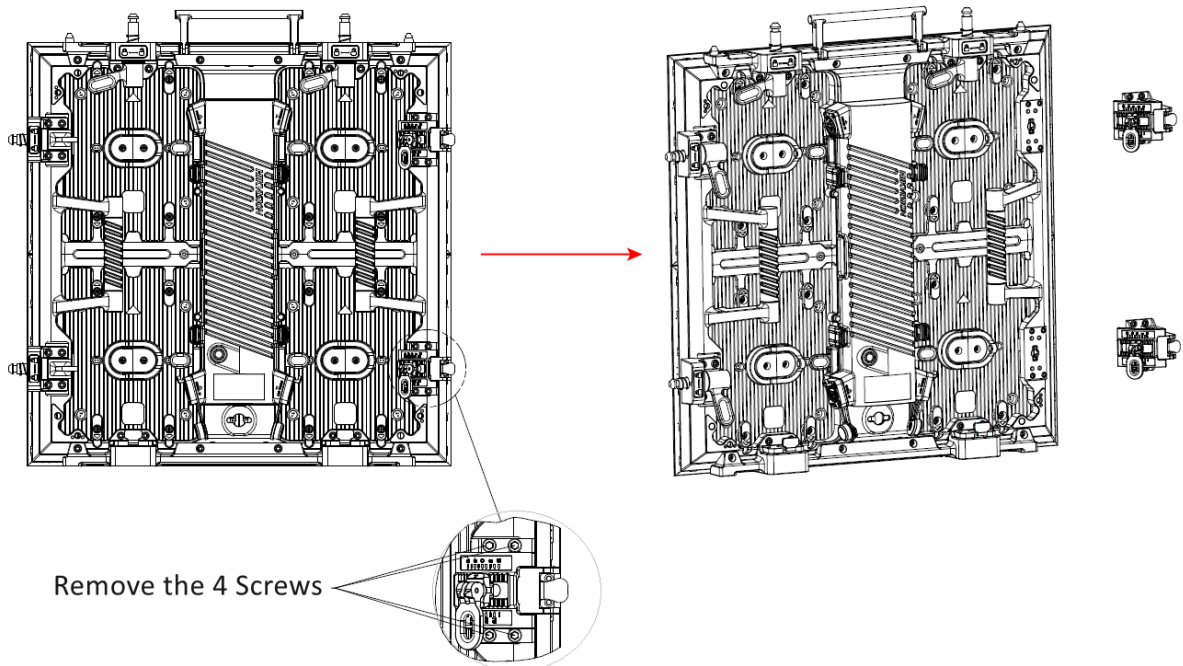


Figure 3-33 Remove Right-Side Curved Locks

Step 3 Fasten two right-angle locks onto the left side of the first cabinet with two screws per lock.

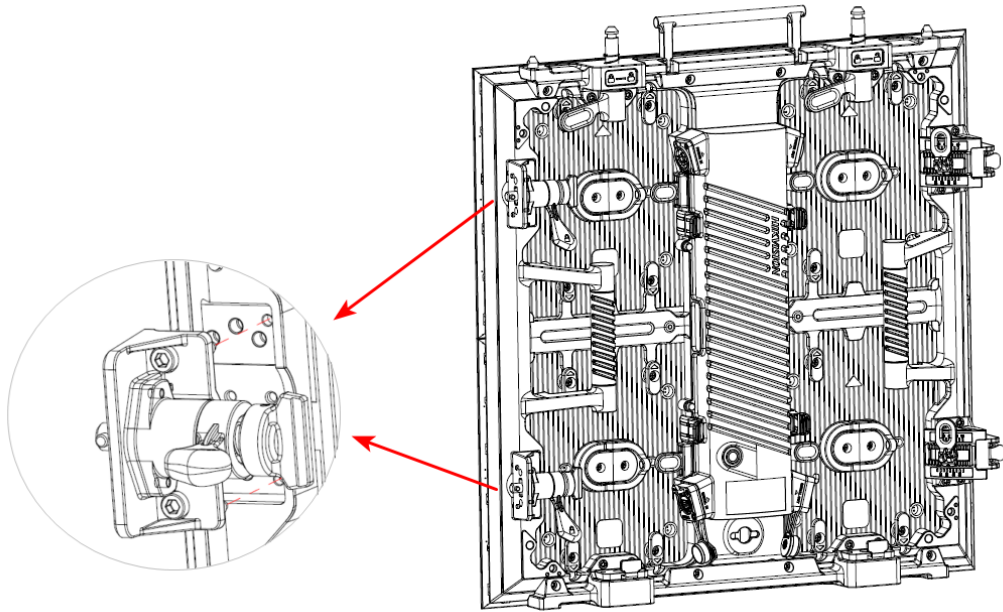


Figure 3-34 Fasten Right-Angle Locks

Step 4 Adjust the two cabinet frames to a 90° right angle.

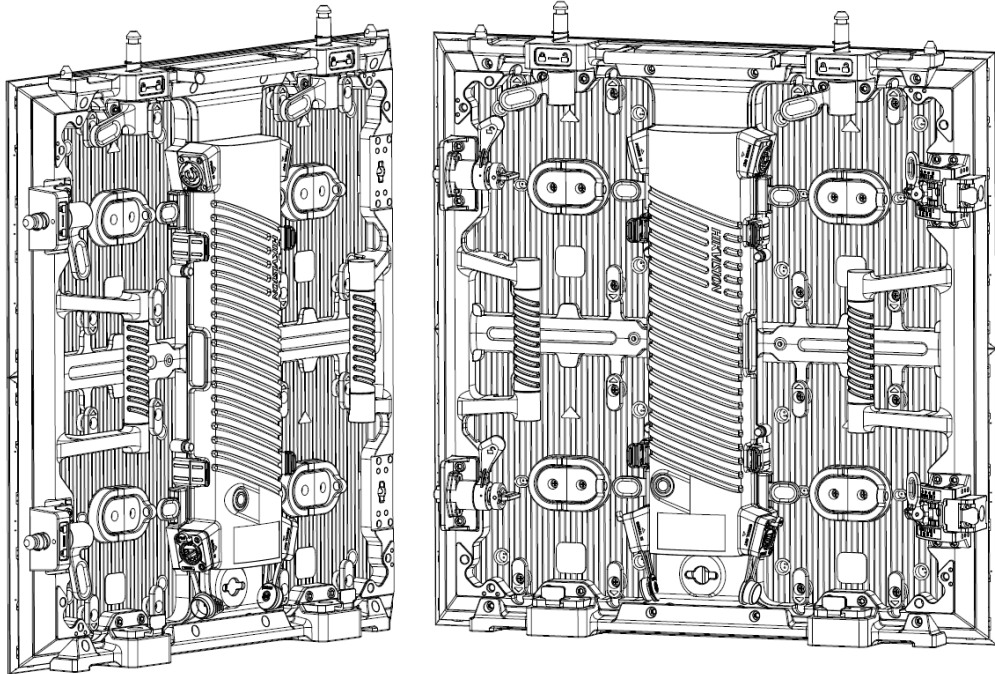


Figure 3-35 Adjust Two Cabinets to Right Angle

Step 5 Align the locating studs of the right-angle locks on the left side of the first cabinet with the locating holes on the right side of the second cabinet, rotate the operation handles of the locks 90 degrees clockwise until they hook, and then rotate the tightening handles counterclockwise to secure the cabinet frames tightly.

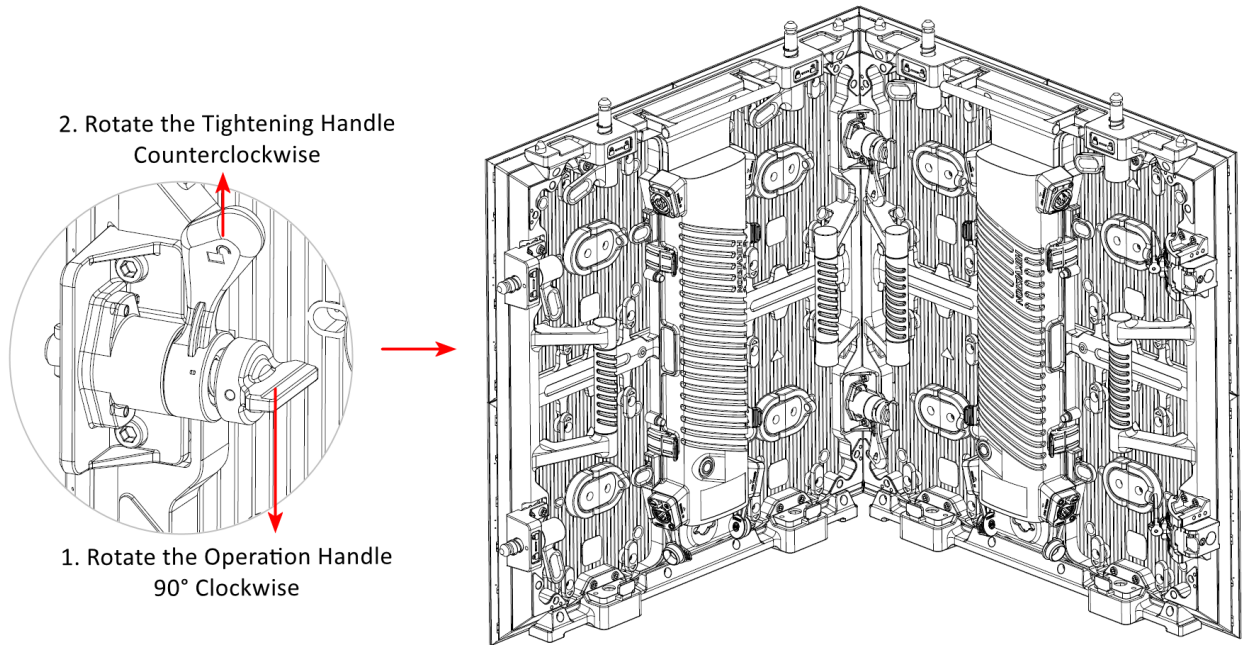


Figure 3-36 Tighten Right-Angle Locks

Step 6 (Optional) To unlock the adjacent cabinets, rotate the tightening handles of the locks clockwise to the top position, and then rotate the operation handles of the locks counterclockwise by 90 degrees.

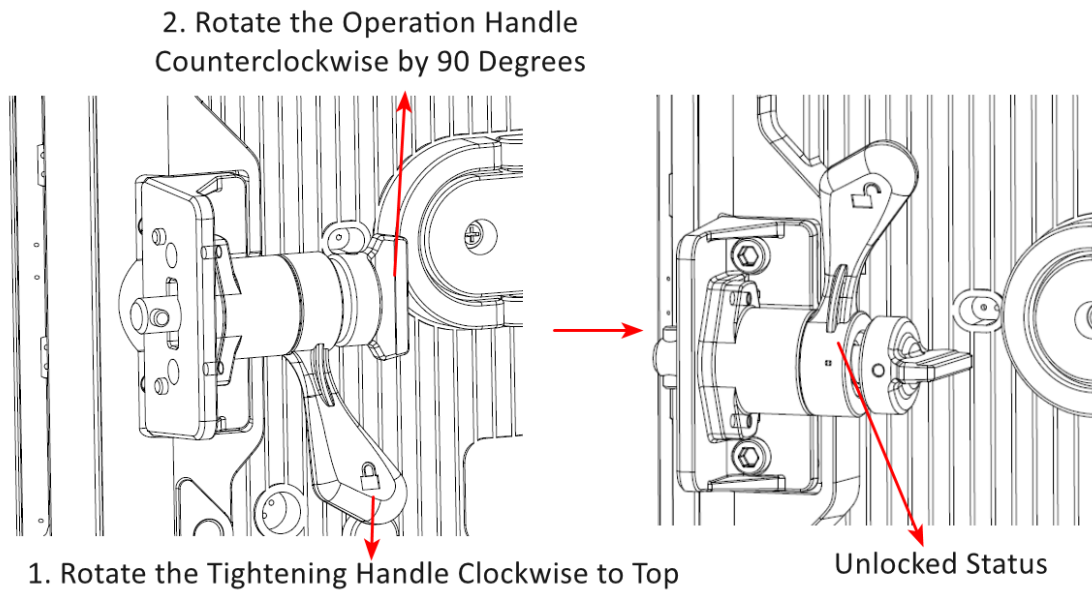


Figure 3-37 Unlock Right-Angle Locks

### Stitch Edge-Cutting Cabinets to Right Angle with 3-Way Corner Brackets

Step 1 Use a screwdriver to remove the screws securing the fast locks on the left side of a cabinet (the first cabinet).

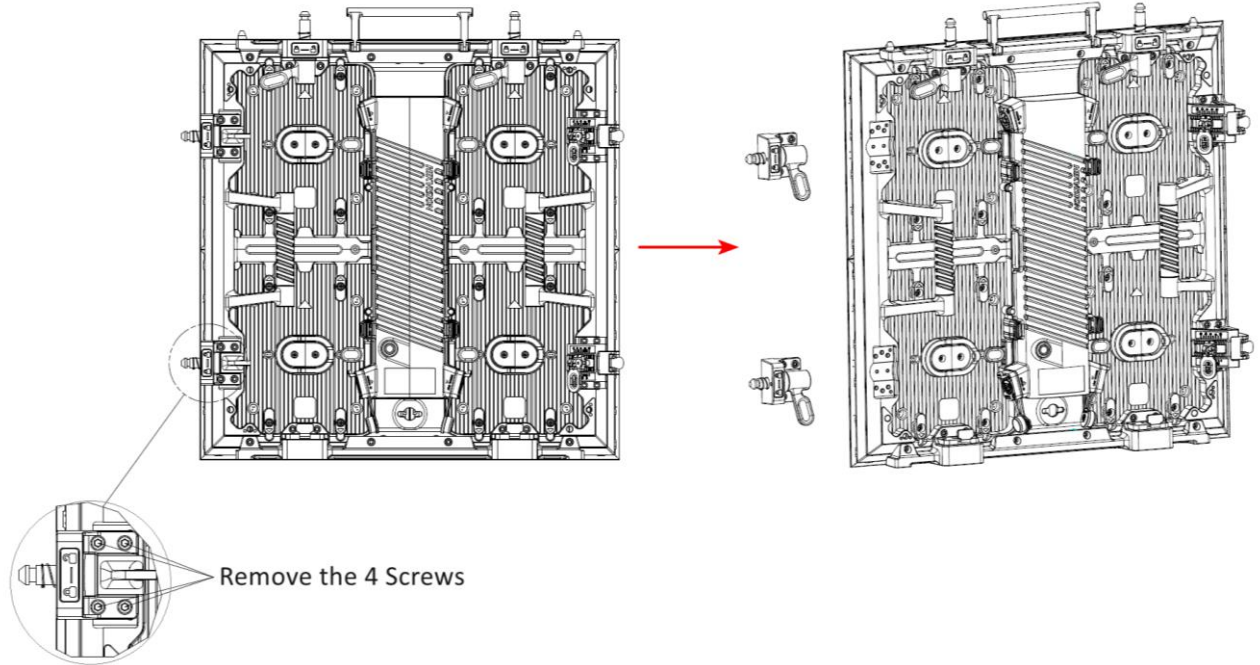


Figure 3-38 Remove Left-Side Fast Locks

Step 2 Use a screwdriver to remove the screws securing the curved locks on the right side of the other cabinet (the second cabinet).

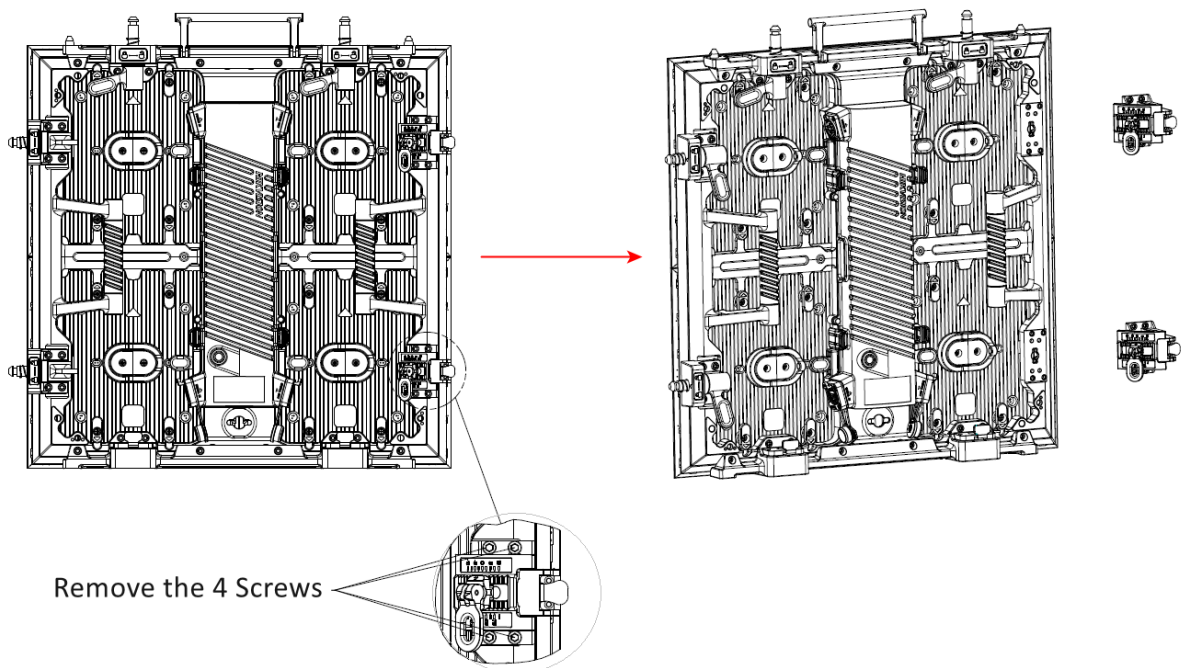


Figure 3-39 Remove Right-Side Curved Locks

Step 3 Fasten two 3-way corner brackets to the upper and lower corners on the left side of the first cabinet with one screw per lock.

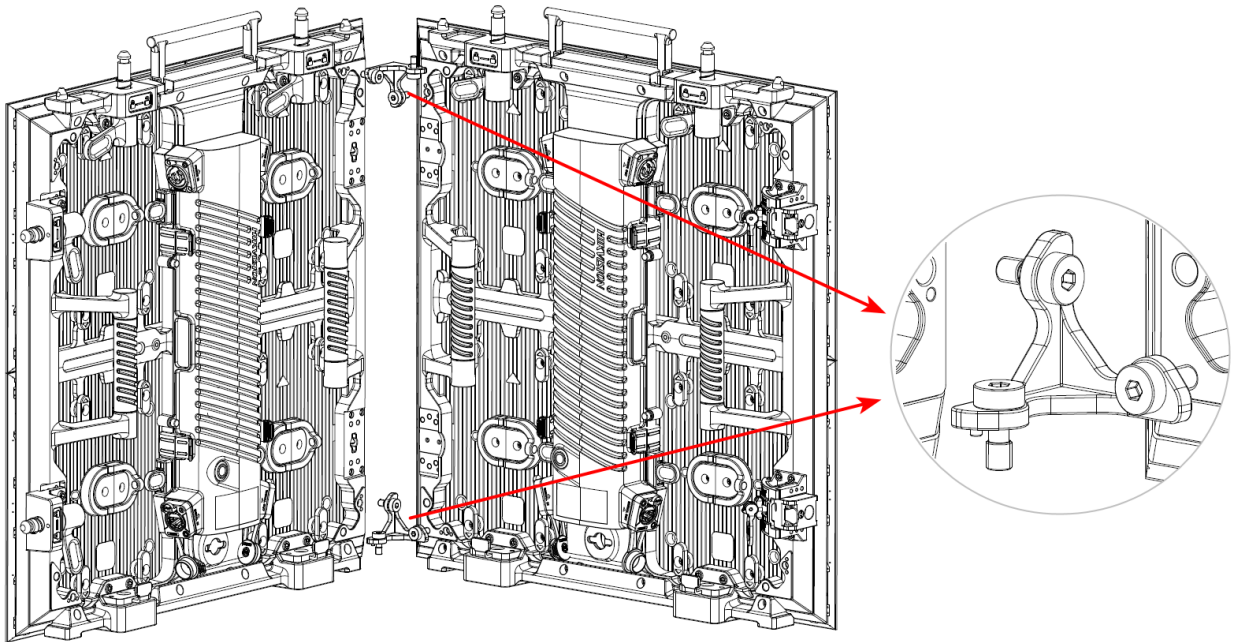


Figure 3-40 Fasten Corner Brackets

Step 4 Adjust the two cabinet frames to a 90° right angle, and fasten the corner brackets to the right side of the second cabinet with one screw per lock to finish locking.

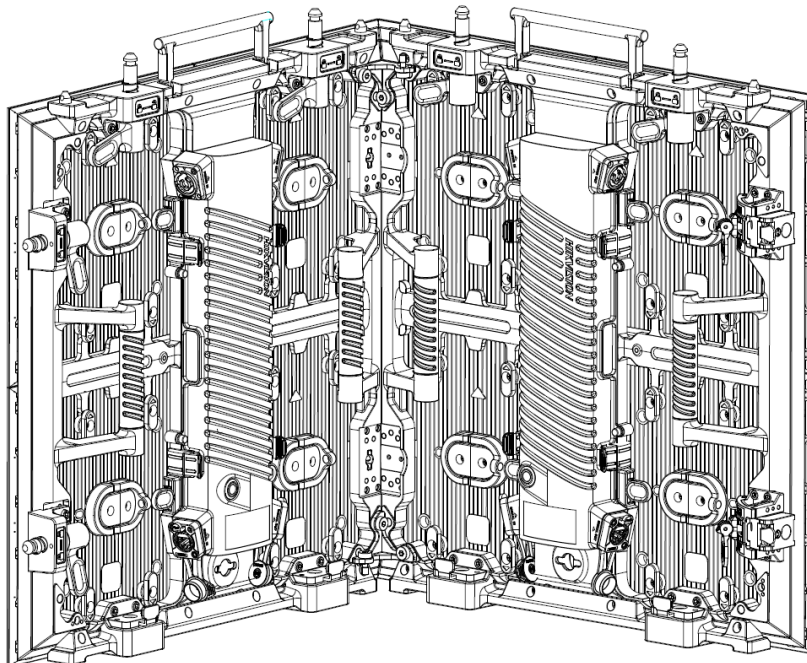


Figure 3-41 Fasten Two Cabinets to Right Angle

Step 5 (Optional) To unlock the adjacent cabinets, loose the screws fastening the corner brackets.

### 3.3.5 Stitch Edge-Cutting Cabinet Frames to a Cube

You can build a cube display with either 6 or 5 edge-cutting cabinet frames (leaving one side open if using 5 frames).

**Step 1** Use a screwdriver to remove the screws securing the handle, base, fast lock, and curved locks from the upper, lower, left and right side of the 6 cabinet frames.

For a 5-frame cube, remove the fast locks, curved locks, and handle from the left, right, and upper side of 4 cabinet frames, and remove all connected pieces from the 5<sup>th</sup> cabinet frame.

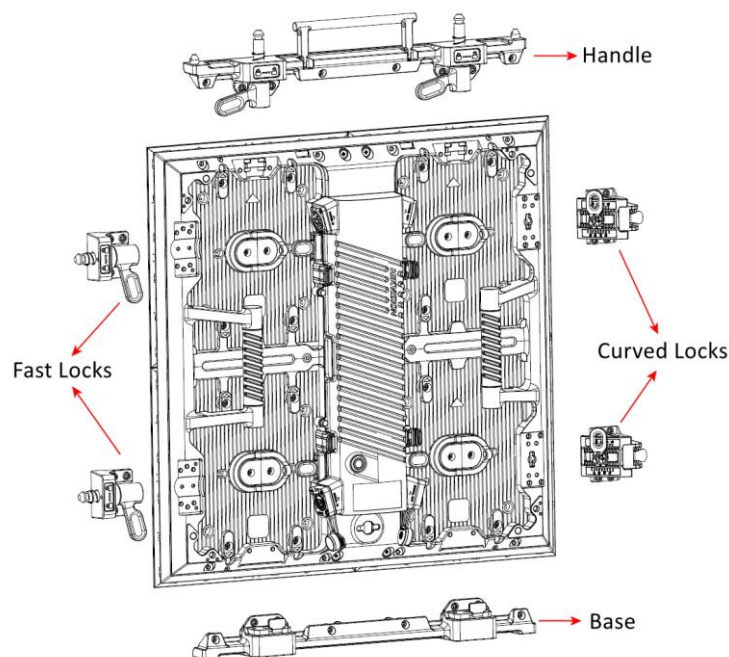


Figure 3-42 Remove Connected Pieces from Cabinet Frames

**Step 2** Take 4 cabinet frames and attach one 3-way corner bracket to both the top and bottom corners of the left side of each frame. Align the frames to form the four side faces of the cube, and then secure the corner brackets between adjacent frames.

**Step 3** Position the 5<sup>th</sup> cabinet frame at the bottom of the cube, align it with the locating holes on the brackets, and fasten it with one screw per bracket.

**Step 4** Remove the modules from the last cabinet frame, repeat the step 3 to fasten the frame, and then install the modules back. See **3.5.1 Maintain the Module** for details of removing modules.

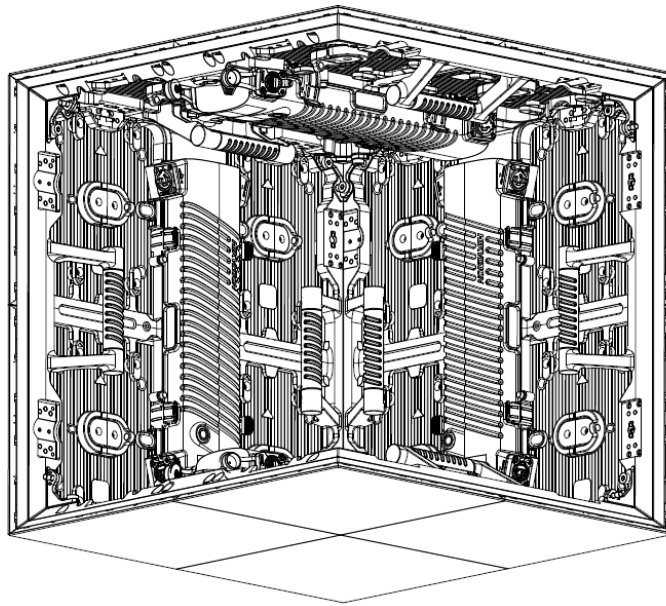


Figure 3-43 Stitch Cabinet Frames to a Cube

## 3.4 Connect Power Cords and Network Cables

### 3.4.1 Connect Power Cords between Cabinets

Each cabinet is equipped with one power input interface and one power output interface. Power is supplied from external power cords and then cascaded to adjacent cabinets via cascading power cords. You need to confirm the number of the required external power cords based on the number of the actually connected cabinets and the load capacity of a power cord.

Due to variations in cabinet dimensions, pixel pitch, and input voltage, the load capacity of a power cord may vary. Refer to the tables below for detailed load capacity.

Table 3-2 Load Capacity of a Power Cord (Aries Series)

Product Series	Cabinet Dimensions (W × H × D)	Indoor/Outdoor	Pixel Pitch	Input Power Voltage	Max. Load
Aries	500 mm × 500 mm × 69 mm	Indoor	P2.6	220 V, 50 Hz	19
				100 V, 60 Hz	8
			P2.9	220 V, 50 Hz	21
				100 V, 60 Hz	8
			P3.9	220 V, 50 Hz	20
				100 V, 60 Hz	8
	Outdoor	P2.9	220 V, 50 Hz	15	
			100 V, 60 Hz	6	
		P3.9	220 V, 50 Hz	17	
			100 V, 60 Hz	7	
	500 mm × 1000 mm × 69 mm (for standard-edge cabinets only)	Indoor	P2.9	220 V, 50 Hz	10
				100 V, 60 Hz	4
			P3.9	220 V, 50 Hz	10
				100 V, 60 Hz	4
Outdoor		P2.9	220 V, 50 Hz	7	
			100 V, 60 Hz	3	
		P3.9	220 V, 50 Hz	8	
			100 V, 60 Hz	3	

Table 3-3 Load Capacity of a Power Cord (Aries Pro Series)

Product Series	Cabinet Dimensions (W × H × D)	Indoor/Outdoor	Pixel Pitch	Input Power Voltage	Max. Load
Aries Pro	500 mm × 500 mm × 69 mm	Indoor	P1.9	220 V, 50 Hz	14
				100 V, 60 Hz	6
			P2.6	220 V, 50 Hz	18
				100 V, 60 Hz	7

Product Series	Cabinet Dimensions (W × H × D)	Indoor/Outdoor	Pixel Pitch	Input Power Voltage	Max. Load
			P2.9	220 V, 50 Hz	18
				100 V, 60 Hz	7
		Outdoor	P2.9	220 V, 50 Hz	12
				100 V, 60 Hz	4
			P3.9	220 V, 50 Hz	12
				100 V, 60 Hz	5
	500 mm × 1000 mm × 69 mm (for standard-edge cabinets only)	Indoor	P2.9	220 V, 50 Hz	9
				100 V, 60 Hz	3
		Outdoor	P2.9	220 V, 50 Hz	6
				100 V, 60 Hz	2
			P3.9	220 V, 50 Hz	6
				100 V, 60 Hz	2

 **Note**

- The table is for reference only and the actual capability of the power cord prevails. The load capability of a single power cord is limited. You can use the [HiTools Designer](#) to calculate the maximum load capability of a single power cord. Then connect the power cord between the cabinets according to the load capability generated by the calculation.
- Before connecting the power cords, ensure that the device is powered off.

Step 1 Connect the external power supply to the power input interface of the first cabinet at the bottom row.

Step 2 For 500 mm × 500 mm cabinets, use a 750 mm cascading power cord to connect the power output interface of each cabinet to the power input interface of the adjacent cabinet. For 500 mm × 1000 mm cabinets, use a 1400 mm cascading power cord to connect the power output interface of each cabinet to the power input interface of the adjacent cabinet.

Step 3 When the number of connected cabinets exceeds the maximum load capacity of the power supply, use an additional power cord to connect another external power supply to the power input interface of the first cabinet beyond this limit, and then repeat the step 2 to cascade the adjacent cabinets.

Step 4 Repeat the step 3 if more power cords are needed.

The figure below illustrates a 4 rows × 6 columns configuration of P2.6 indoor Aries cabinets. When the power supply voltage is 220 V, the maximum load per power cord is 19 cabinets. In this case, the remaining 1 row × 6 columns of cabinets exceed the power cord’s capacity and require an additional power cord.

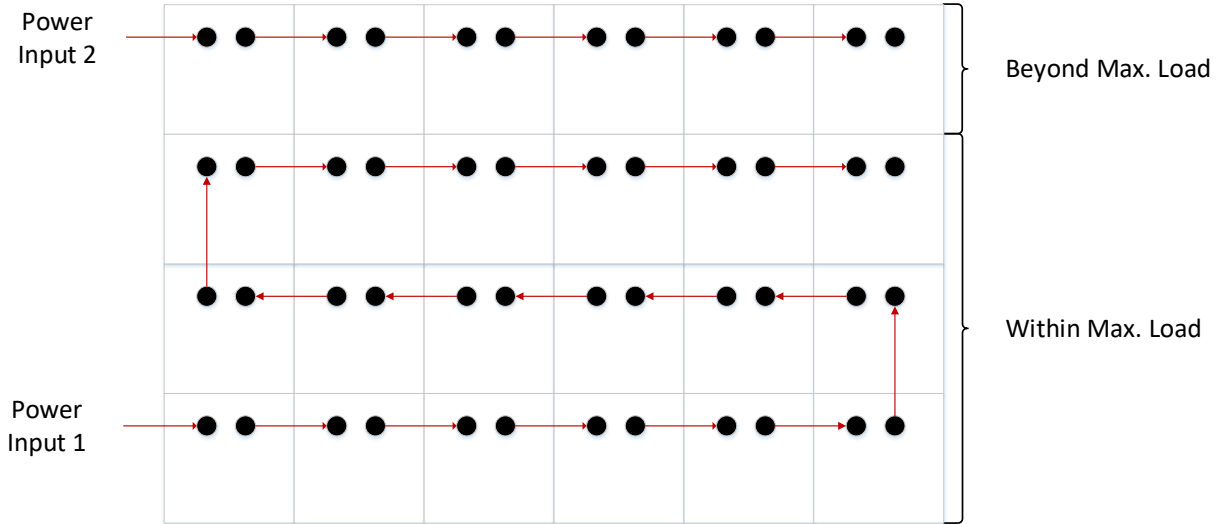


Figure 3-44 Power Cords Connection Between Cabinets

### 3.4.2 Connect Network Cables between Cabinets

Each cabinet is equipped with one network signal input interface and one network signal output interface. Data signals are input to the cabinet from the sending card via external network cables and then cascaded to adjacent cabinets via cascading network cables. You need to confirm the number of the required external network cables based on the number of the actually connected cabinets and the load capacity of the network interface of the sending card.

Refer to the table below for the maximum load of the network interface of the sending card.

Table 3-4 Load Capacity of Network Interface of the Sending Card

Series	Cabinet Dimensions (W × H × D)	Indoor/Outdoor	Pixel Pitch	Resolution	Max. Load
Aries	500 mm × 500 mm × 69 mm	Indoor	P2.6	192 × 192	17
			P2.9	168 × 168	23
			P3.9	128 × 128	39
		Outdoor	P2.9	168 × 168	23
			P3.9	128 × 128	39
			500 mm × 1000 mm × 69 mm (for standard-edge cabinets only)	Indoor	P2.9
	Outdoor	P3.9		128 × 256	19
		Aries Pro	500 mm × 500 mm × 69 mm	Indoor	P1.9
P2.6	192 × 192				17
P2.9	168 × 168				23
Outdoor	P2.9			168 × 168	23
	P3.9			128 × 128	39
	500 mm × 1000 mm × 69 mm (for standard-edge cabinets only)			Indoor	P2.9
Outdoor			P2.9	168 × 336	11
				P3.9	128 × 256

 **Note**

- The table is for reference only and the actual capability of the network interface prevails. The load capability of a single network interface of the sending card is limited. You can use the [HiTools Designer](#) to calculate the maximum load capability of a single network interface of a sending card. Then connect the network cables between the cabinets according to the load capability generated by the calculation.
- Before connecting the network cables, ensure that the device is powered off.

Step 1 Use a network cable to connect the network input interface of the first cabinet in the bottom row to the network interface of the sending card.

Step 2 For 500 mm × 500 mm cabinets, use a 700 mm cascading network cable to connect the signal output interface of each cabinet to the signal input interface of the adjacent cabinet.

For 500 mm × 1000 mm cabinets, use a 1200 mm cascading network cable to connect the signal output interface of each cabinet to the signal input interface of the adjacent cabinet.

**Step 3** When the number of connected cabinets exceeds the maximum load capacity of the network interface, use an additional network cable to connect the signal input interface of the first cabinet beyond this limit to another network interface of the sending card, and then repeat the step 2 to cascade the adjacent cabinets.

**Step 4** Repeat the step 3 if more network cables are needed.

The figure below illustrates a 5 rows × 4 columns configuration of P2.6 indoor Aries cabinets. When the cabinet resolution is 192 × 192, the maximum load of a network interface of the sending card is 17 cabinets. In this case, the remaining 3 cabinets require an additional network cable to connect to another network interface of the sending card.

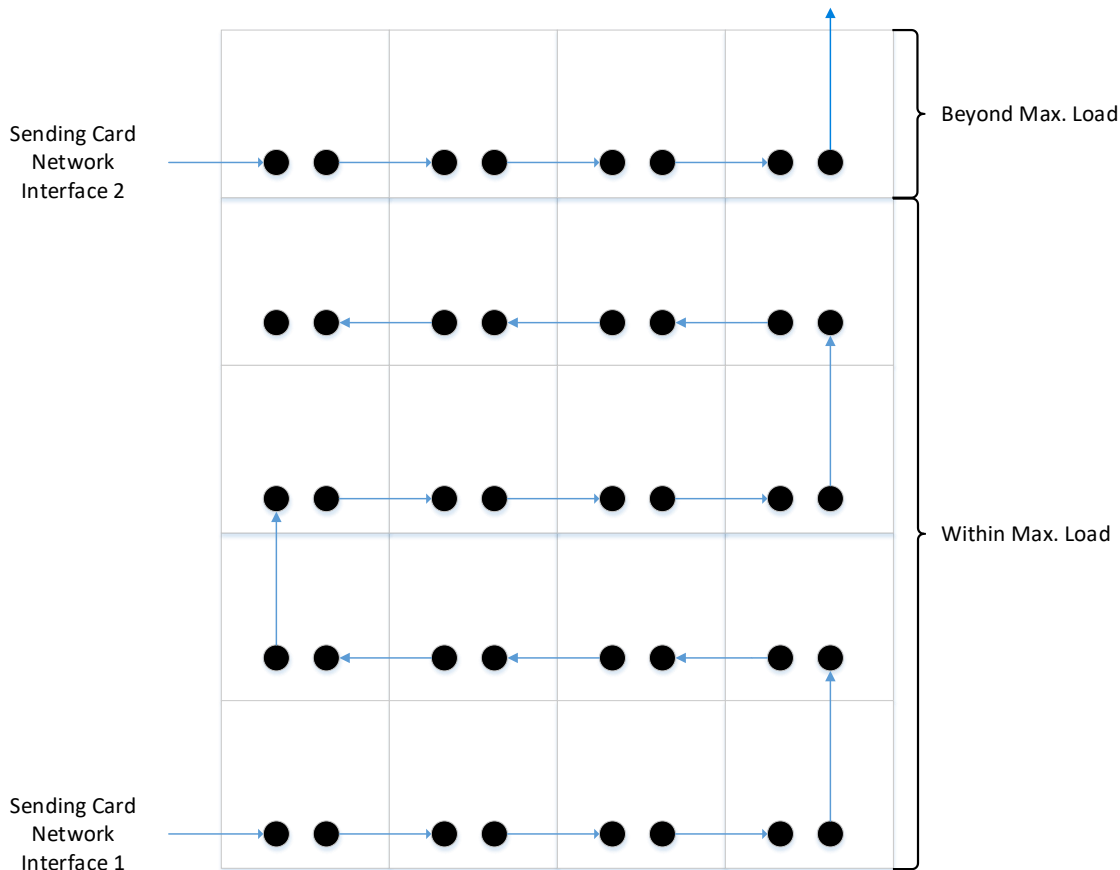


Figure 3-45 Network Cables Connection Between Cabinets

### 3.5 Maintain the Cabinet

You can replace the cabinet’s modules, power supply, receiving card, and hub board as needed.

 **Note**

The following maintenance description uses standard-edge cabinets for illustration. For edge-cutting cabinets, refer to the standard-edge cabinet maintenance methods.

### 3.5.1 Maintain the Module

You can maintain the module from the front or the rear side.

#### Front Maintenance

Step 1 Place an LED vacuum pump onto the surface of the module to be maintained.

Step 2 Turn on the switch of the pump, press and hold the suction button on the tool for 5 seconds.

Step 3 Gently pull the module to remove it.

Step 4 Replace the module with a new one and assemble the new module back.

#### Rear Maintenance

Step 1 Remove the parts fastening the module.

- For indoor cabinets, rotate the four knobs on the back cover of the module to ensure that they do not interfere with the connecting components on the cabinet frame when removing the module.

#### Rotate the Knob

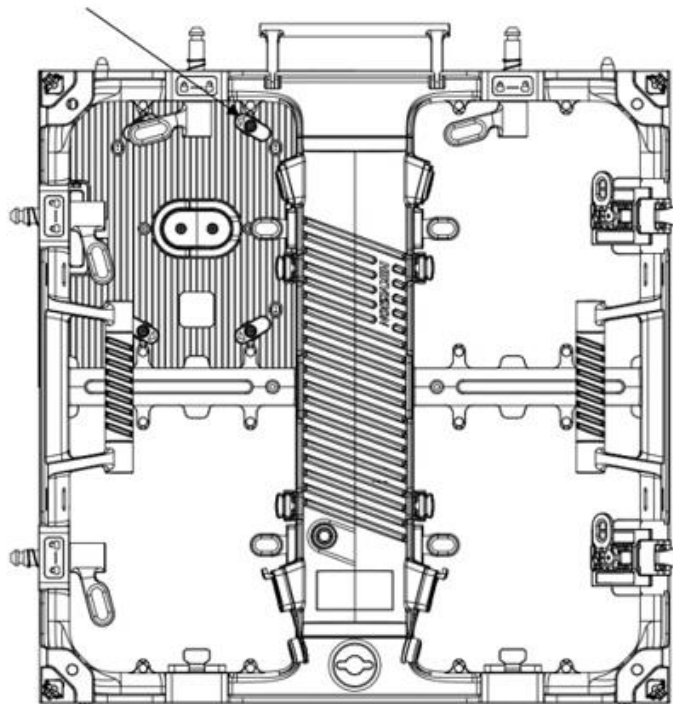


Figure 3-46 Rotate the Knob for Indoor Cabinet

- For outdoor cabinets, remove the four screws fastening the module.

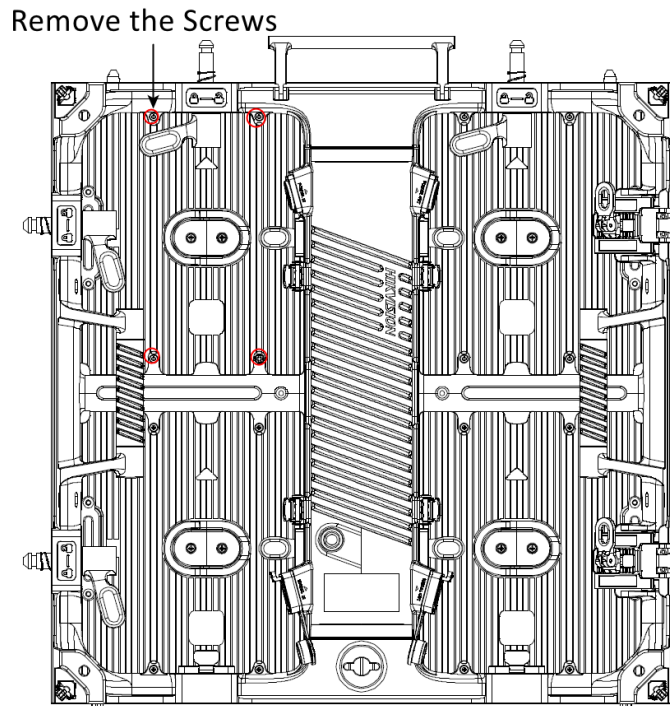


Figure 3-47 Remove the Screws for Outdoor Cabinet

Step 2 Use one finger to grip the handle and another finger to press the eject button on the cabinet, and push the module forward.

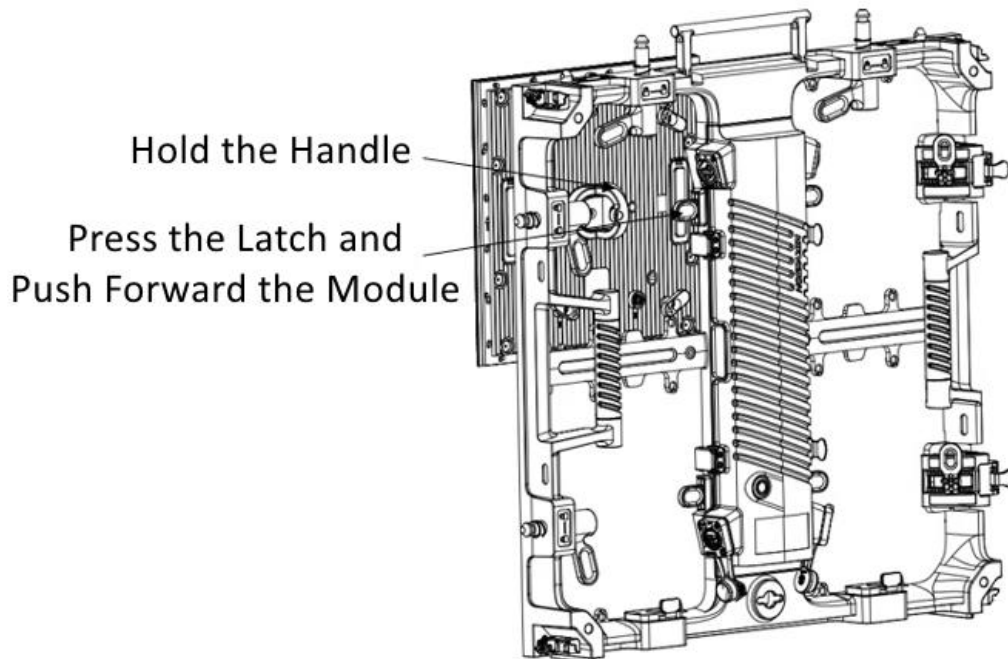
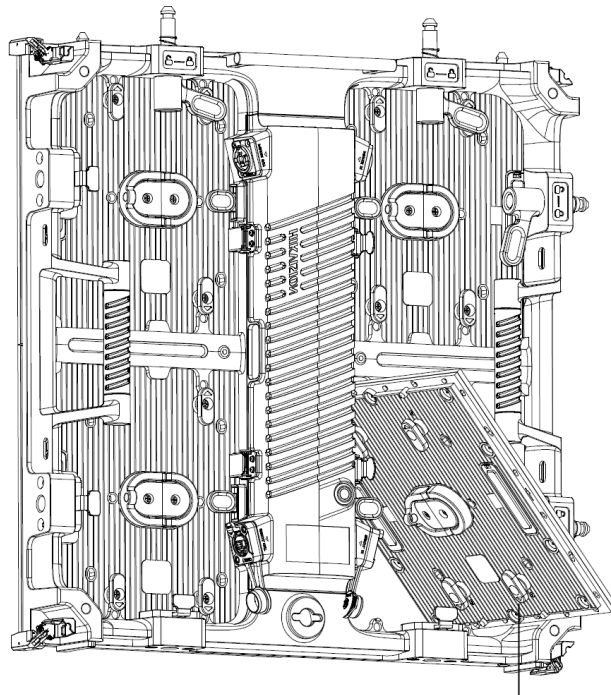


Figure 3-48 Push Forward the Module

Step 3 Rotate the module until its side can pass through the diagonal of the cabinet frame, and then remove the module.



Rotate Module to Pass the Diagonal of Cabinet Frame

Figure 3-49 Remove the Module

Step 4 Replace the module with a new one and reinstall it.

- 1) Align the side of the module with the diagonal of the cabinet frame and rotate the module to the correct installation position.
- 2) Install the module slowly towards the back.
- 3) Rotate the four knobs on the back cover of the module to secure it to the cabinet frame.
- 4) Release the four latches around the power supply box.

### 3.5.2 Maintain the Power Supply

You can maintain the power supply from the rear side.

#### ***Before You Start***

Switch off the external power supply before you maintain the power supply.

Step 1 Release the four buckles around the power supply box.

Step 2 Remove the entire power supply box.

Step 3 Replace the power supply box.

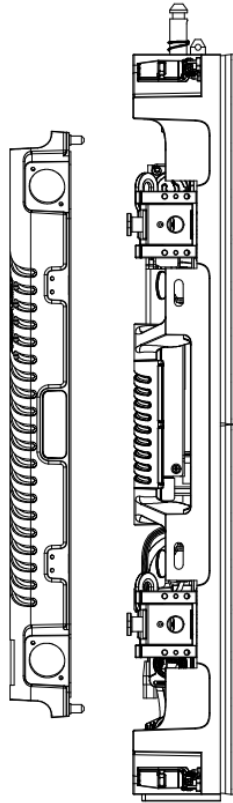


Figure 3-50 Remove the Power Supply Box

### 3.5.3 Maintain the Receiving Card

You can maintain the receiving card from the rear side.

#### ***Before You Start***

Switch off the external power supply before you maintain the receiving card.

Step 1 Release the four buckles around the power supply box.

Step 2 Remove the power supply box and use a screwdriver to loosen the screws on the receiving card to disassemble the receiving card.

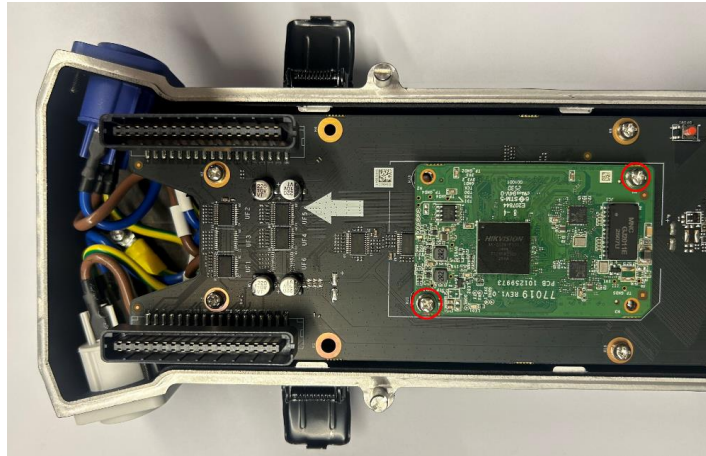


Figure 3-51 Remove the Receiving Card

Step 3 Install a new receiving card on the hub board, ensuring that the installation direction of the receiving card should correspond to the arrow direction on the hub board.

Step 4 Fasten the receiving card.



**Note**

The picture is for reference only. The actual model prevails.

### 3.5.4 Maintain the Hub Board

You can maintain the hub board from the rear side.

**Before You Start**

Switch off the external power supply before you maintain the hub board.

Step 1 Release the four buckles around the power supply box.

Step 2 Remove the power supply box and use a screwdriver to loosen all the screws on the hub board and the receiving card.



Figure 3-52 Remove the Hub Board

Step 3 Replace the hub board and reinstall it. Pay attention to the installation direction.

Step 4 Reinstall the receiving card and tighten the screws to secure it.

Step 5 Reinstall the power supply box.



The picture is for reference only. The actual model prevails.

## Chapter 4 Software Debugging

Use the LED Tool client to configure the device. For more details about the operating instructions, please download the [LED Tool client](#), and then scan the QR code below to view the User Manual of the software.



Figure 4-1 QR Code of the LED Tool Client User Manual



See Far, Go Further

