



# Network Paging Station

Quick Start Guide

UD44755B-A

### About this Document

- This Document includes instructions for using and managing the Product. Pictures, charts, images and all other information hereinafter are for description and explanation only.
- The information contained in the Document is subject to change, without notice, due to firmware updates or other reasons. Please find the latest version of the Document at the Hikvision website (<https://www.hikvision.com>). Unless otherwise agreed, Hangzhou Hikvision Digital Technology Co., Ltd. or its affiliates (hereinafter referred to as "Hikvision") makes no warranties, express or implied.
- Please use the Document with the guidance and assistance of professionals trained in supporting the Product.

### About this Product

This product can only enjoy the after-sales service support in the country or region where the purchase is made.

### Acknowledgment of Intellectual Property Rights

- Hikvision owns the copyrights and/or patents related to the technology embodied in the Products described in this Document, which may include licenses obtained from third parties.
- Any part of the Document, including text, pictures, graphics, etc., belongs to Hikvision. No part of this Document may be excerpted, copied, translated, or modified in whole or in part by any means without written permission.
- **HIKVISION** and other Hikvision's trademarks and logos are the properties of Hikvision in various jurisdictions.
- Other trademarks and logos mentioned are the properties of their respective owners.
- **HDMI**™ The terms HDMI, HDMI High-Definition Multimedia Interface, HDMI Trade dress and the HDMI Logos are trademarks or registered trademarks of HDMI Licensing Administrator, Inc.

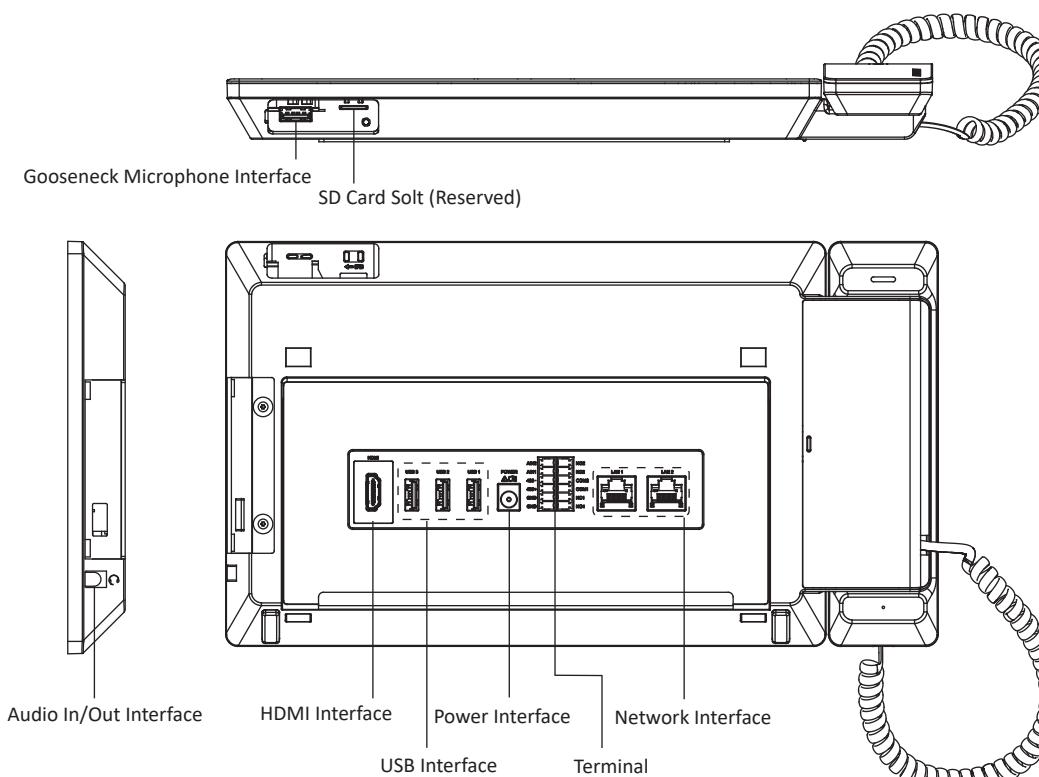
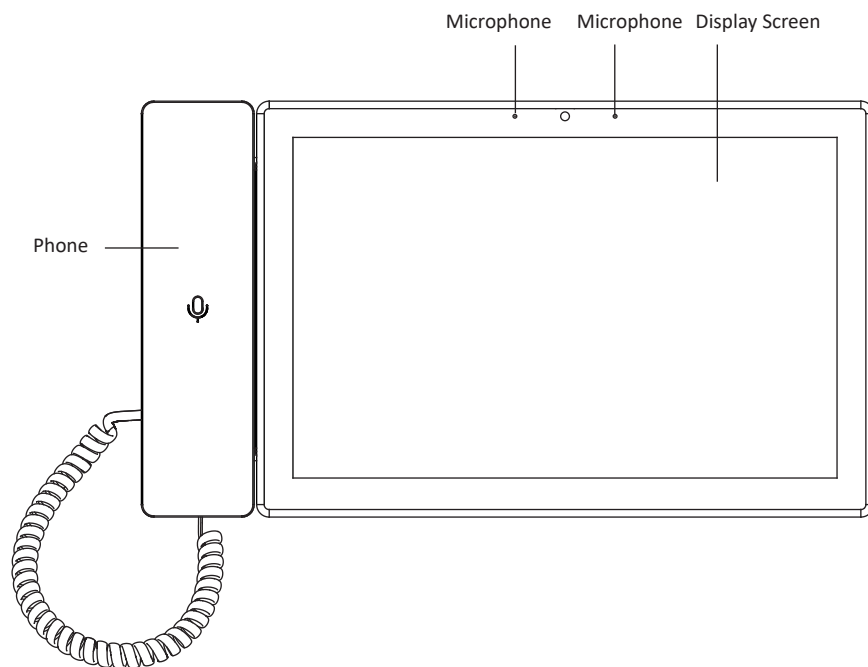
### LEGAL DISCLAIMER

- TO THE MAXIMUM EXTENT PERMITTED BY APPLICABLE LAW, THIS DOCUMENT AND THE PRODUCT DESCRIBED, WITH ITS HARDWARE, SOFTWARE AND FIRMWARE, ARE PROVIDED "AS IS" AND "WITH ALL FAULTS AND ERRORS". HIKVISION MAKES NO WARRANTIES, EXPRESS OR IMPLIED, INCLUDING WITHOUT LIMITATION, MERCHANTABILITY, SATISFACTORY QUALITY, OR FITNESS FOR A PARTICULAR PURPOSE. THE USE OF THE PRODUCT BY YOU IS AT YOUR OWN RISK. IN NO EVENT WILL HIKVISION BE LIABLE TO YOU FOR ANY SPECIAL, CONSEQUENTIAL, INCIDENTAL, OR INDIRECT DAMAGES, INCLUDING, AMONG OTHERS, DAMAGES FOR LOSS OF BUSINESS PROFITS, BUSINESS INTERRUPTION, OR LOSS OF DATA, CORRUPTION OF SYSTEMS, OR LOSS OF DOCUMENTATION, WHETHER BASED ON BREACH OF CONTRACT, TORT (INCLUDING NEGLIGENCE), PRODUCT LIABILITY, OR OTHERWISE, IN CONNECTION WITH THE USE OF THE PRODUCT, EVEN IF HIKVISION HAS BEEN ADVISED OF THE POSSIBILITY OF SUCH DAMAGES OR LOSS.
- YOU ACKNOWLEDGE THAT THE NATURE OF THE INTERNET PROVIDES FOR INHERENT SECURITY RISKS, AND HIKVISION SHALL NOT TAKE ANY RESPONSIBILITIES FOR ABNORMAL OPERATION, PRIVACY LEAKAGE OR OTHER DAMAGES RESULTING FROM CYBER-ATTACK, HACKER ATTACK, VIRUS INFECTION, OR OTHER INTERNET SECURITY RISKS; HOWEVER, HIKVISION WILL PROVIDE TIMELY TECHNICAL SUPPORT IF REQUIRED.
- YOU AGREE TO USE THIS PRODUCT IN COMPLIANCE WITH ALL APPLICABLE LAWS, AND YOU ARE SOLELY RESPONSIBLE FOR ENSURING THAT YOUR USE CONFORMS TO THE APPLICABLE LAW. ESPECIALLY, YOU ARE RESPONSIBLE, FOR USING THIS PRODUCT IN A MANNER THAT DOES NOT INFRINGE ON THE RIGHTS OF THIRD PARTIES, INCLUDING WITHOUT LIMITATION, RIGHTS OF PUBLICITY, INTELLECTUAL PROPERTY RIGHTS, OR DATA PROTECTION AND OTHER PRIVACY RIGHTS. YOU SHALL NOT USE THIS PRODUCT FOR ANY PROHIBITED END-USES, INCLUDING THE DEVELOPMENT OR PRODUCTION OF WEAPONS OF MASS DESTRUCTION, THE DEVELOPMENT OR PRODUCTION OF CHEMICAL OR BIOLOGICAL WEAPONS, ANY ACTIVITIES IN THE CONTEXT RELATED TO ANY NUCLEAR EXPLOSIVE OR UNSAFE NUCLEAR FUEL-CYCLE, OR IN SUPPORT OF HUMAN RIGHTS ABUSES.
- IN THE EVENT OF ANY CONFLICTS BETWEEN THIS DOCUMENT AND THE APPLICABLE LAW, THE LATTER PREVAILS.

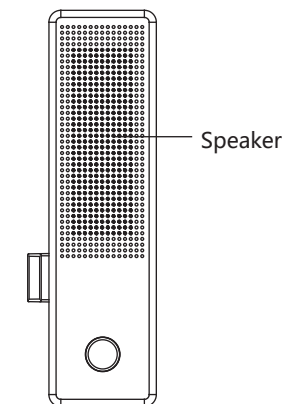
© Hangzhou Hikvision Digital Technology Co., Ltd. All rights reserved.

## 1 Appearance

### Device

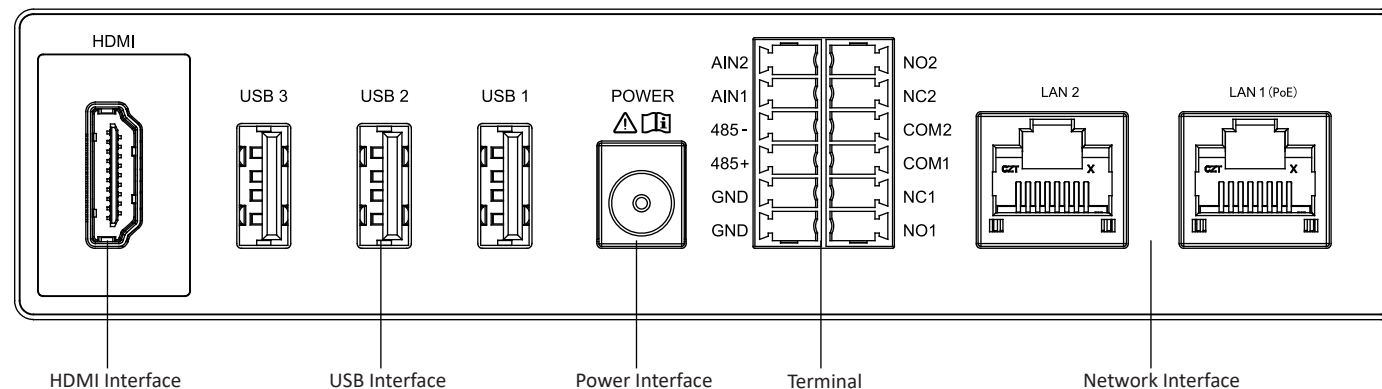


### Speaker



The debug serial port is used for debugging only.

## 2 Interface



HDMI: HDMI Interface

USB1/USB2/USB3: USB Interface(Connecting to a USB flash drive.)

POWER: 12 VDC, Power Input

NO1: Alarm Output 1 (Normally Open)

NC1: Alarm Output 1 (Normally Closed)

COM1: Common 1

NO2: Alarm Output 2 (Normally Open)

NC2: Alarm Output 2 (Normally Closed)

COM2: Common 2

AIN1: Alarm Input 1

AIN2: Alarm Input 2

485+/- (Reserved)

GND: Signal Ground

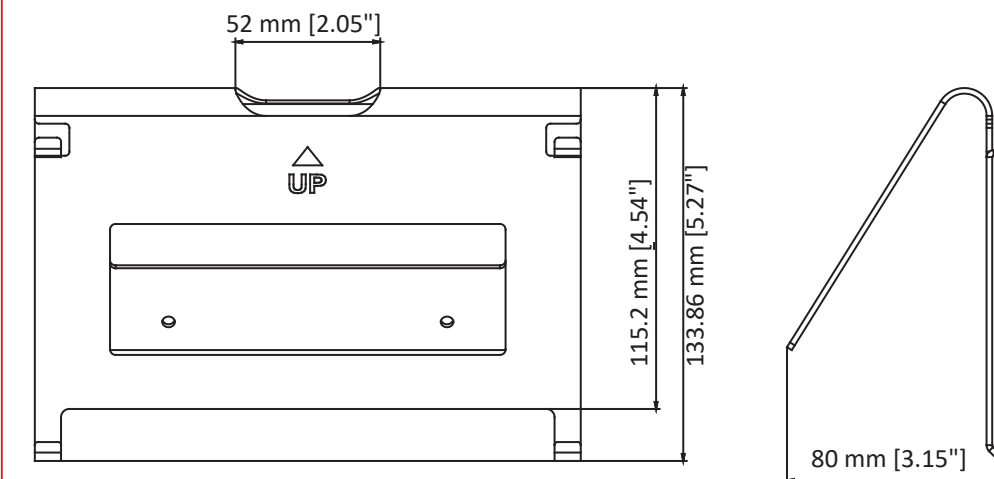
LAN1(PoE): Network Interface (PoE Power Supply)

LAN2: Network Interface

## 3 Preparation Before Installation

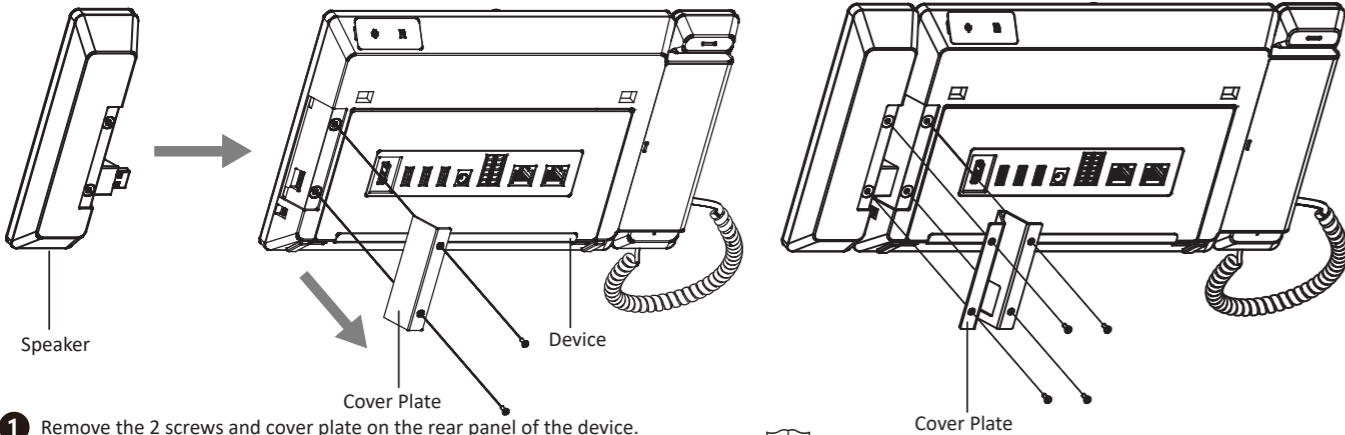


- Make sure that the power supply complies with the needs of the device. Please refer to the product datasheet for details.
- Complete the wiring of the device before installation. See Chapter 2 for detailed information.
- Switch the power off before installation.
- The mounting bracket (optional) is required for both desktop and wall mounting. The bracket dimensions are as follows.



## 4 Accessory Installation

### Speaker Installation

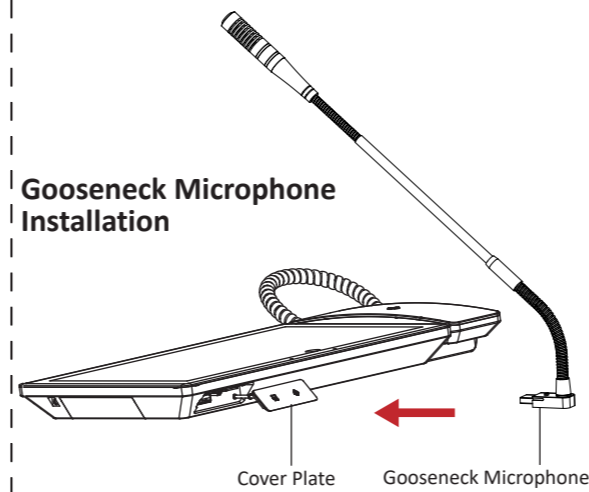


- 1 Remove the 2 screws and cover plate on the rear panel of the device.
- 2 Remove the mounting bracket of the device, and insert the speaker's USB plug into the device interface.
- 3 Tighten and secure the speaker cover plate onto the device with 4 screws.



- When using the speaker, the 3.5 mm interface will be occupied by the speaker. If you need to use the 3.5 mm interface, please remove the speaker.
- When using the 3.5 mm interface as an audio input, please use the audio cable provided in the package.

### Gooseneck Microphone Installation



- 1 Remove the cover plate of the interface on the top panel of the device.
- 2 Insert the gooseneck microphone into the gooseneck microphone interface.

### Warning

- Refer to the device label for the standard power supply. Please make sure your power supply matches with your device.
- In the use of the product, you must be in strict compliance with the electrical safety regulations of the nation and region.
- CAUTION: If the fuse of the device can be replaced, replace it only with the same model to reduce the risk of fire or electric shock.
- CAUTION: If the device needs to be installed with a specific bracket of our company, use the corresponding bracket only. Use others (such as carts, stands, and carriers) may result in instability and cause injury. Refer to the device datasheet for bracket model details. Refer to datasheet for details.
- For the device with sound playing function, to prevent possible hearing damage, do not listen at high volume levels for long periods. Refer to the user manual for details.
- Refer to the device label for the standard power supply. Please make sure your power supply matches with your device.
- Make sure that the power has been disconnected before you wire, install, or disassemble the device.
- To avoid heat accumulation, good ventilation is required for a proper operating environment.
- If smoke, odor, or noise arises from the device, immediately turn off the power, unplug the power cable, and contact the service center.
- If the product does not work properly, please contact your dealer or the nearest service center. Never attempt to disassemble the product yourself. We shall not assume any responsibility for problems caused by unauthorized repair or maintenance.
- Device powered by Safety Extra-Low Voltage (SELV): The power source should meet limited power source or PS2 requirements according to IEC 60950-1 or IEC 62368-1 standard.

### Note

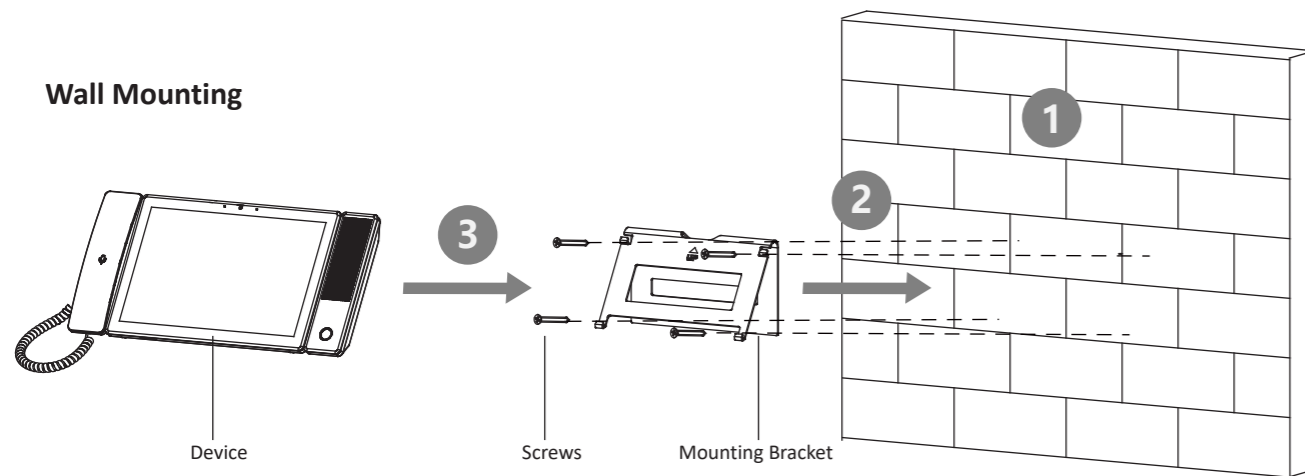
- This installation should be made by a qualified service person and should conform to all the local codes.

### Caution

- For the battery with + and - signs, + identifies the positive terminals of the device which is used with or generates direct current, and - identifies the negative terminals of the device which is used with or generates direct current.
- No naked flame sources, such as lighted candles, should be placed on the equipment.
- If the serial port of the device is used for debugging only, it is reserved only for professionals or technical support for device maintenance. Refer to the document for details.
- Attach the device properly to the floor/wall in accordance with the installation instructions to prevent injury. Refer to the document for details.
- DO NOT drop the product or subject it to physical shock. Do not install the product on vibratory surface or places.
- DO NOT expose the device to high electromagnetic radiation.
- DO NOT expose the device to extremely hot, cold, dusty, corrosive, saline-alkali, or damp environments. For temperature and humidity requirements, refer to the datasheet for details.
- DO NOT install indoor product where it may get wet by water or other liquid.
- To avoid fire hazard or electric shock, DO NOT expose the device to rain or extremely damp environments.
- Accessing to the Internet may cause network security problems. Please strengthen the protection of your personal information and data security. When you find that the device may have network security risks, please contact us in time.
- Proper configuration of all passwords and other security settings is the responsibility of the installer and/or end-user.
- Keep all wrappers after unpacking them for future use. In case of any failure occurred, you need to return the device to the factory with the original wrapper. Transportation without the original wrapper may result in damage on the device and the company shall not take any responsibilities.

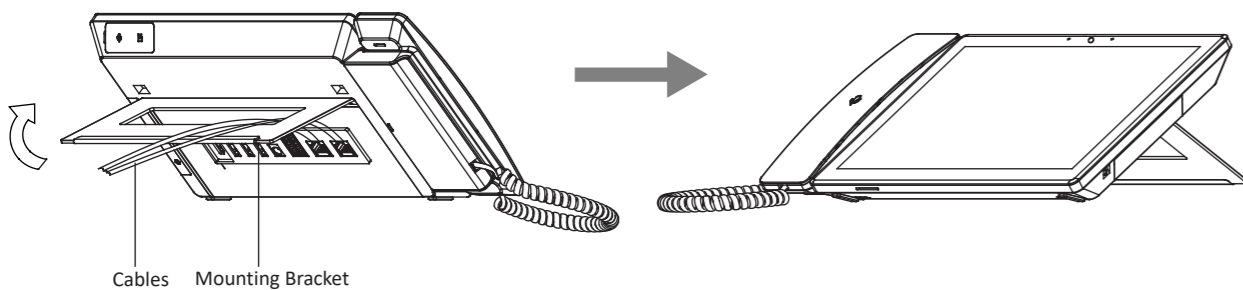
## 5 Installation

### Wall Mounting



- 1 Place the mounting bracket on the wall, mark the screw hole positions with a marker, move the bracket away, Drill 4 holes(∅6 mm) according to the marks on the wall, and insert the expansion sleeves into the screw holes.
- 2 Fix the mounting bracket to the wall with 4 screws.
- 3 Align the hole on the back panel of the device with the hook of the bracket for installation.

### Desktop Mounting



- 1 Wire the device and neatly route the cables through the cable hole.
- 2 Adjust the mounting bracket to the appropriate angle and place the device in the correct position.



It is recommended to use the desktop mounting bracket at its maximum opening angle.

## 6 Quick Setup

You should activate the device before the first login. After powering on the device, the system will switch to Device Activation page..

### Activate Device

1. Power on the device. It will enter the activation page automatically.
2. Create a password and confirm it.
3. Tap **OK** to activate the device.



We highly recommend you change the password of your own choosing (using 8 to 16 characters, including at least two kinds of following categories: letters, numbers, and symbols) in order to increase the security of your product.

### Quick Configuration

After activation, tap **Param** to enter the configuration interface. Set network parameters.

- Edit Local IP Address, Subnet Mask and Gateway parameters.
- Enable DHCP, the device will get network parameters automatically.



For more information about settings, see **User Manual**.

Scan the QR Code to Get User Manual

