

The logo features the word "HIKVISION" in a bold, italicized, white sans-serif font, centered within a red horizontal bar. The bar has a white diagonal stripe on the left side.

HIKVISION

Network Audio Processor

Quick Start Guide

About this Document

- This Document includes instructions for using and managing the Product. Pictures, charts, images and all other information hereinafter are for description and explanation only.
- The information contained in the Document is subject to change, without notice, due to firmware updates or other reasons. Please find the latest version of the Document at the Hikvision website (<https://www.hikvision.com>). Unless otherwise agreed, Hangzhou Hikvision Digital Technology Co., Ltd. or its affiliates (hereinafter referred to as "Hikvision") makes no warranties, express or implied.
- Please use the Document with the guidance and assistance of professionals trained in supporting the Product.

About this Product

This product can only enjoy the after-sales service support in the country or region where the purchase is made.

Acknowledgment of Intellectual Property Rights

- Hikvision owns the copyrights and/or patents related to the technology embodied in the Products described in this Document, which may include licenses obtained from third parties.
- Any part of the Document, including text, pictures, graphics, etc., belongs to Hikvision. No part of this Document may be excerpted, copied, translated, or modified in whole or in part by any means without written permission.
- **HIKVISION** and other Hikvision's trademarks and logos are the properties of Hikvision in various jurisdictions.
- Other trademarks and logos mentioned are the properties of their respective owners.

LEGAL DISCLAIMER

- TO THE MAXIMUM EXTENT PERMITTED BY APPLICABLE LAW, THIS DOCUMENT AND THE PRODUCT DESCRIBED, WITH ITS HARDWARE, SOFTWARE AND FIRMWARE, ARE PROVIDED "AS IS" AND "WITH ALL FAULTS AND ERRORS". HIKVISION MAKES NO WARRANTIES, EXPRESS OR IMPLIED, INCLUDING WITHOUT LIMITATION, MERCHANTABILITY, SATISFACTORY QUALITY, OR FITNESS FOR A PARTICULAR PURPOSE. THE USE OF THE PRODUCT BY YOU IS AT YOUR OWN RISK. IN NO EVENT WILL HIKVISION BE LIABLE TO YOU FOR ANY SPECIAL, CONSEQUENTIAL, INCIDENTAL, OR

Network Audio Processor ▪ Quick Start Guide

INDIRECT DAMAGES, INCLUDING, AMONG OTHERS, DAMAGES FOR LOSS OF BUSINESS PROFITS, BUSINESS INTERRUPTION, OR LOSS OF DATA, CORRUPTION OF SYSTEMS, OR LOSS OF DOCUMENTATION, WHETHER BASED ON BREACH OF CONTRACT, TORT (INCLUDING NEGLIGENCE), PRODUCT LIABILITY, OR OTHERWISE, IN CONNECTION WITH THE USE OF THE PRODUCT, EVEN IF HIKVISION HAS BEEN ADVISED OF THE POSSIBILITY OF SUCH DAMAGES OR LOSS.

- YOU ACKNOWLEDGE THAT THE NATURE OF THE INTERNET PROVIDES FOR INHERENT SECURITY RISKS, AND HIKVISION SHALL NOT TAKE ANY RESPONSIBILITIES FOR ABNORMAL OPERATION, PRIVACY LEAKAGE OR OTHER DAMAGES RESULTING FROM CYBER-ATTACK, HACKER ATTACK, VIRUS INFECTION, OR OTHER INTERNET SECURITY RISKS; HOWEVER, HIKVISION WILL PROVIDE TIMELY TECHNICAL SUPPORT IF REQUIRED.
- YOU AGREE TO USE THIS PRODUCT IN COMPLIANCE WITH ALL APPLICABLE LAWS, AND YOU ARE SOLELY RESPONSIBLE FOR ENSURING THAT YOUR USE CONFORMS TO THE APPLICABLE LAW. ESPECIALLY, YOU ARE RESPONSIBLE, FOR USING THIS PRODUCT IN A MANNER THAT DOES NOT INFRINGE ON THE RIGHTS OF THIRD PARTIES, INCLUDING WITHOUT LIMITATION, RIGHTS OF PUBLICITY, INTELLECTUAL PROPERTY RIGHTS, OR DATA PROTECTION AND OTHER PRIVACY RIGHTS. YOU SHALL NOT USE THIS PRODUCT FOR ANY PROHIBITED END-USES, INCLUDING THE DEVELOPMENT OR PRODUCTION OF WEAPONS OF MASS DESTRUCTION, THE DEVELOPMENT OR PRODUCTION OF CHEMICAL OR BIOLOGICAL WEAPONS, ANY ACTIVITIES IN THE CONTEXT RELATED TO ANY NUCLEAR EXPLOSIVE OR UNSAFE NUCLEAR FUEL-CYCLE, OR IN SUPPORT OF HUMAN RIGHTS ABUSES.
- IN THE EVENT OF ANY CONFLICTS BETWEEN THIS DOCUMENT AND THE APPLICABLE LAW, THE LATTER PREVAILS.

© Hangzhou Hikvision Digital Technology Co., Ltd. All rights reserved.

Regulatory Information

These clauses apply only to the products bearing the corresponding mark or information.

FCC Information


Note: This equipment has been tested and found to comply with the limits for a Class A digital device, pursuant to part 15 of the FCC Rules. These limits are designed to provide reasonable protection against harmful interference when the equipment is operated in a commercial environment. This equipment generates, uses, and can radiate radio frequency energy and, if not installed and used in accordance with the instruction manual, may cause harmful interference to radio communications. Operation of this equipment in a residential area is likely to cause harmful interference in which case the user will be required to correct the interference at his own expense.

Please take attention that changes or modification not expressly approved by the party responsible for compliance could void the user's authority to operate the equipment.

This device complies with part 15 of the FCC Rules. Operation is subject to the following two conditions:

- (1) this device may not cause harmful interference, and
- (2) this device must accept any interference received, including interference that may cause undesired operation.


EU/UK Compliance Statement

 This product and - if applicable - the supplied accessories too are marked with "CE" and comply therefore with the applicable harmonized European standards listed under the Directive 2014/30/EU (EMCD) and Directive 2011/65/EU (RoHS).

Note: The products with the input voltage of within 50 to 1000 VAC or 75 to 1500 VDC comply with Directive 2014/35/EU (LVD), and the rest products comply with Directive 2001/95/EC (GPSD). Please check the specific power supply information for reference.

The full text of the EU declaration of conformity is available at the following internet address:

[https://www.hikvision.com/en/support/compliance/declaration-of-conformity.](https://www.hikvision.com/en/support/compliance/declaration-of-conformity)

 This product and - if applicable - the supplied accessories too are marked with "UKCA" and comply therefore with the following directives: Electromagnetic Compatibility Regulations 2016, Electrical Equipment (Safety) Regulations 2016, the Restriction of the Use of Certain Hazardous Substances in Electrical and Electronic Equipment Regulations 2012.

Network Audio Processor ▪ Quick Start Guide

Warning: This is a class A product. In a domestic environment this product may cause radio interference, in which case, the user may be required to take adequate measures.



Directive 2012/19/EU (WEEE Directive): Products marked with this symbol cannot be disposed of as unsorted municipal waste in the European Union. For proper recycling, return this product to your local supplier upon the purchase of equivalent new equipment, or dispose of it at designated collection points. For more information see: www.recyclethis.info.

According to the Waste Electrical and Electronic Equipment Regulations 2013: Products marked with this symbol cannot be disposed of as unsorted municipal waste in the United Kingdom. For proper recycling, return this product to your local supplier upon the purchase of equivalent new equipment, or dispose of it at designated collection points. For more information see: www.recyclethis.info.



Regulation (EU) 2023/1542 (Battery Regulation): This product contains a battery and it is in conformity with the Regulation (EU) 2023/1542. The battery cannot be disposed of as unsorted municipal waste in the European Union. See the product documentation for specific battery information. The battery is marked with this symbol, which may include lettering to indicate cadmium (Cd), or lead (Pb). For proper recycling, return the battery to your supplier or to a designated collection point. For more information see: www.recyclethis.info.

According to the Batteries and Accumulators (Placing on the Market) Regulations 2008 and the Waste Batteries and Accumulators Regulations 2009: This product contains a battery that cannot be disposed of as unsorted municipal waste in the United Kingdom. See the product documentation for specific battery information. The battery is marked with this symbol, which may include lettering to indicate cadmium (Cd), lead (Pb), or mercury (Hg). For proper recycling, return the battery to your supplier or to a designated collection point. For more information see: www.recyclethis.info.

Industry Canada ICES-003 Compliance

This device meets the CAN ICES-003 (A) / NMB-003 (A) standards requirements.

Conformité Industrie Canada ICES-003

Cette appareil répond aux exigences des normes CAN ICES-003 (A) / NMB-003 (A).

KC



A 급 기기: 이 기기는 가정용(A 급) 전자파적합기기로서 주로 가정에서 사용하는 것을 목적으로 하며, 모든 지역에서 사용할 수 있습니다.

Network Audio Processor ▪ Quick Start Guide

Safety Information

Please read all the safety information carefully before using.

- In the use of the product, you must be in strict compliance with the electrical safety regulations of the nation and region.
- Device powered by Safety Extra-Low Voltage (SELV): The power source should meet limited power source or PS2 requirements according to IEC 60950-1 or IEC 62368-1 standard.
- For the device powered on and off only by power plug and socket-outlet, the socket-outlet shall be installed near the device and easily accessible.
- This equipment shall be installed incorporated with UPS to avoid the risk of restart.
- Use the power adapter that can work normally at an altitude over 2000 meters above sea level.
- Do not dispose of the battery into fire or a hot oven, or mechanically crush or cut the battery, which may result in an explosion.
- Do not leave the battery in an extremely high temperature surrounding environment, which may result in an explosion or the leakage of flammable liquid or gas.
- Do not subject the battery to extremely low air pressure, which may result in an explosion or the leakage of flammable liquid or gas.
- Dispose of used batteries according to the instructions.

- For the device with sticker  or  , pay attention to the following cautions:

CAUTION: Hot parts! Do not touch. Burned fingers when handling the parts. Wait one-half hour after switching off before handling the parts.

This sticker is to indicate that the marked item can be hot and should not be touched without taking care. For device with this sticker, this device is intended for installation in a restricted access location, access can only be gained by service persons or by users who have been instructed about the reasons for the restrictions applied to the location and about any precautions that shall be taken.

- Do not install devices for professional use in locations where children are likely to appear.
- If the device needs to be installed on the wall or ceiling, install the device according to the instructions in Quick Start Guide. Attach the device properly to the floor/wall in accordance with the installation instructions to prevent injury.

Network Audio Processor ▪ Quick Start Guide

- For the device with supplement light (refer to datasheet for details):
Possibly hazardous optical radiation emitted from this product.
DO NOT stare at operating light source. May be harmful to the eyes.
Wear appropriate eye protection or DO NOT turn on the light when you assemble, install or maintain the device.
- For the battery with + and - signs, + identifies the positive terminals of the device which is used with or generates direct current, and - identifies the negative terminals of the device which is used with or generates direct current.
- Do not touch the bare components (such as the metal contacts of the inlets) and wait for at least 5 minutes, since electricity may still exist after the device is powered off.
- No naked flame sources, such as lighted candles, should be placed on the device.
- Never place the device in an unstable location. The device may fall, causing serious personal injury or death.
- If the device needs to be wired by yourself, select the corresponding wire to supply power according to the electric parameters labeled on the device. Strip off wire with a standard wire stripper at corresponding position. To avoid serious consequences, the length of stripped wire shall be appropriate, and conductors shall not be exposed.
- Make sure that the power has been disconnected before you wire, install, or disassemble the device.
- If smoke, odor, or noise arises from the device, immediately turn off the power, unplug the power cable, and contact the service center.

Table of Contents

Chapter 1 Product Introduction	1
1.1 Product Features	1
1.2 Interface	2
1.3 Indicator.....	4
1.4 Application Scene.....	5
Chapter 2 Installation	6
2.1 Wall/Under-Desk Mounting.....	6
2.2 Cabinet Mounting.....	8
Chapter 3 Activate and Access	10

Chapter 1 Product Introduction

1.1 Product Features

The product features of digital audio processor are as follows:

- 2-channel 3-pin Phoenix terminal balanced inputs and 2-channel 3-pin Phoenix terminal balanced outputs, which can be connected to analog audio devices, such as wireless microphones, amplifiers, active speakers, etc., and can also be connected to encoding devices such as video conference terminals
- 1-channel 3.5 mm stereo input and 1-channel 3.5 mm stereo output. Support sound reinforcement from devices such as mobile phones and PCs
- 2 USB Type-C interfaces, which can be connected to USB cameras and computers to achieve video input and audio&video output, making the system easy to use
- Support 3A algorithms. Support setting functions such as mixing, filter, equalizer, feedback suppression, delay, limiter, etc., which provides better audio processing
- Support AES67 international standard transmission protocol (subsequent versions will support AES67 third-party compatibility), effectively ensuring low-latency and high-synchronization transmission for the network audio system
- Support device activation, network setting, routing setting, parameter setting, and other related operations via audio assistant tool
- Support power supply and audio transmission via POE network cables, making installation and wiring more convenient
- Compatible with cabinet installation and under-table or wall mounting, helping to keep the conference room clean

Note:

Functions vary with models. Please refer to the actual device for details.

1.2 Interface

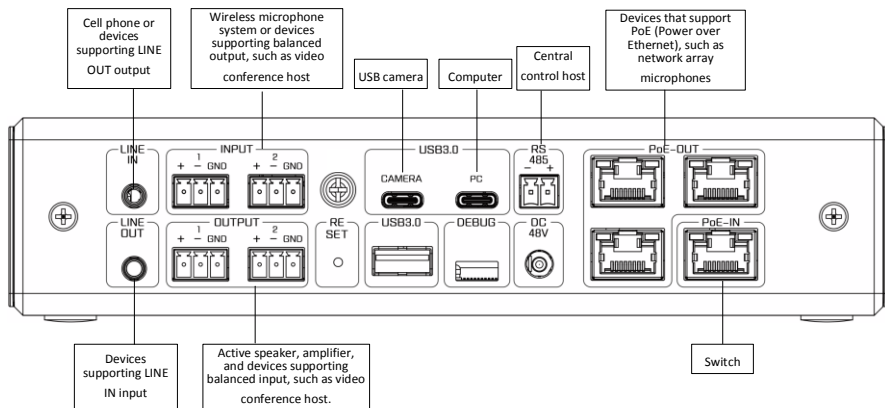


Figure 1-1 External Device Connection

Table 1-1 Description

Silk Screen Printing	Description
LINE IN	3-segment 3.5 mm socket, which can be connected to cell phone or devices supporting LINE OUT output.
LINE OUT	3-segment 3.5 mm socket, which can be connected to devices supporting LINE IN input. The mixed audio is output from LINE OUT to conference devices.
INPUT	3-pin Phoenix terminal input, which can be connected to the wireless microphone system or devices supporting balanced output, such as video conference host.
OUTPUT	3-pin Phoenix terminal output, which can be connected to active speaker, amplifier, and devices supporting balanced input, such as video conference host.
RESET	Press and hold RESET for about 5 s to restart the device and restore it to factory default settings.

Network Audio Processor ▪ Quick Start Guide

Silk Screen Printing	Description
USB3.0/CAMERA	TYPE C interface, which can be connected to USB camera to receive image input.
USB3.0/PC	TYPE C interface, which can be connected to computer to output audio and video.
USB3.0	TYPE A interface is used for collecting data and is for professional use only.
DEBUG	For professional debugging only.
RS485	It can be connected to devices, such as central control host. It can control the power on/off or the volume of a specific output channel through the 485 protocol.
DC48V	It can be connected to the 60 W power adapter. PoE power output is only available when the power supply is connected, and the total power of the PoE output cannot exceed 40 W. If PoE power output is not needed, an external power adapter is not required.
PoE-OUT	It is used to power devices that support PoE (Power over Ethernet), such as network array microphones, and to facilitate network communication.
PoE-IN	It is used for PoE power input and network communication. It can be connected to the switch. The switch powered by PoE AT protocol can power network audio processor.

Note:

Device interfaces vary with models. Please refer to the actual device for details.

1.3 Indicator

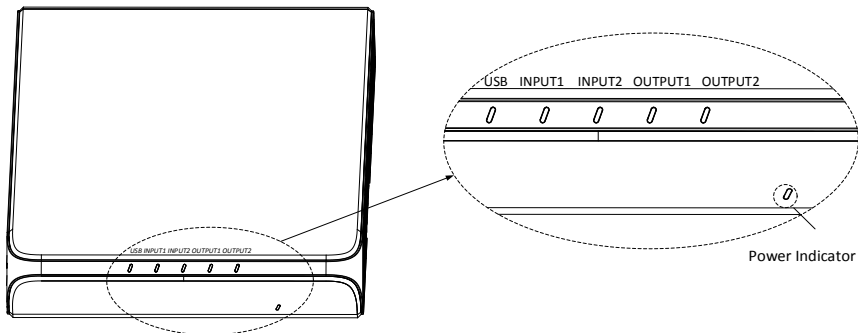


Figure 1-2 Indicator

Table 1-2 Indicator

Indicator	Indicator Status	Status Description
Power Indicator	Light Off	The device is not powered on. The program is not started. It is recommended to change the power adapter and check that there is no power outage.
	Breathing White	The device is powering on and initializing.
	Solid White	The device is running normally.
	Flashing White (10 times)	Device recognition is in progress (when there are multiple devices in the system, click Identify Device on the client).
	Flashing Red	Device fault.
INPUT/OUTPUT Indicator	Light Off	Less than -60 dBFS.
	Solid Green	-59 dBFS to -24 dBFS.
	Solid Yellow	-23 dBFS to -1 dBFS.
	Solid Red	No more than 0 dBFS.

Network Audio Processor ▪ Quick Start Guide

Indicator	Indicator Status	Status Description
USB Audio Indicator	Light Off	No USB device connected.
	Solid White	The connected USB audio device is running normally.
	Solid Red	Connecting USB audio device failed.

1.4 Application Scene

The device is suitable for various indoor scenarios such as meeting rooms, training rooms, and multi-function halls. It can be installed behind the screen or under the table for convenient wiring. It can easily output sound to conference systems or recording hosts, meeting the needs of large scenarios that require connecting multiple microphones or outputting multiple speakers.

Chapter 2 Installation

The device supports wall mounting, under-desk mounting, and cabinet mounting.

2.1 Wall/Under-Desk Mounting

1. Assemble the bracket with 4 pan head screws (M3 × 5).

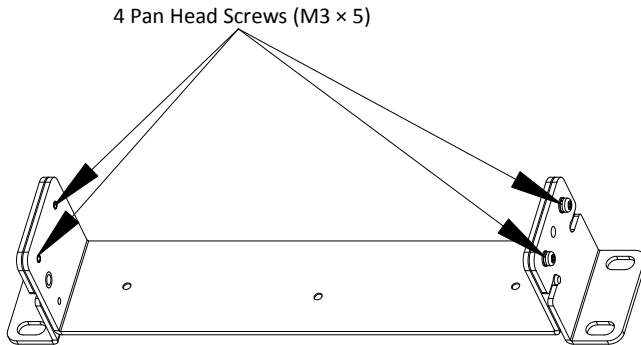


Figure 2-1 Assemble Bracket

2. Fix the bracket to the audio processor with 3 countersunk screws (M3 × 5).

Network Audio Processor ▪ Quick Start Guide

3 Countersunk Screws (M3 × 5)

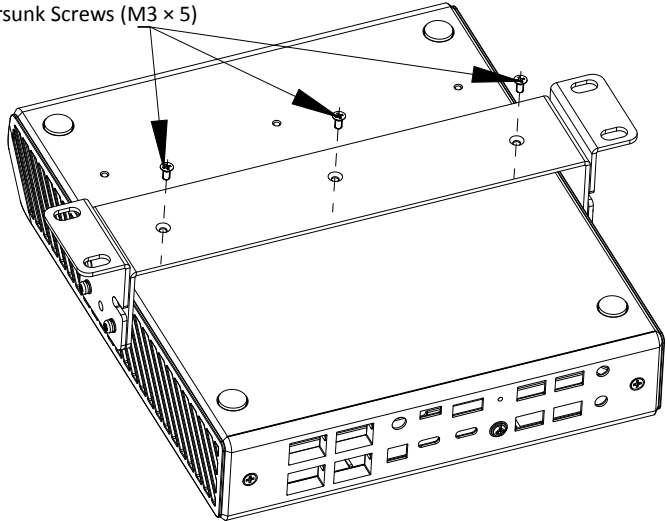


Figure 2-2 Fix Bracket to Device

3. Stick the installation sticker on the wall/table bottom, drill 4 mounting holes, and insert 4 expansion tubes.

The installation holes should be drilled within the shaded area.

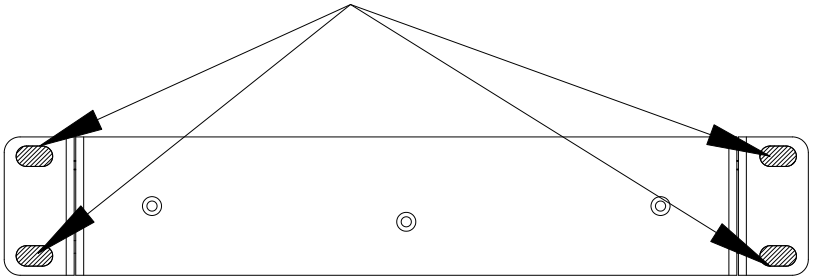


Figure 2-3 Drill Holes

4. Adjust the position according to the scene, and fix the bracket to the mounting hole with 4 screws (M5 × 25).

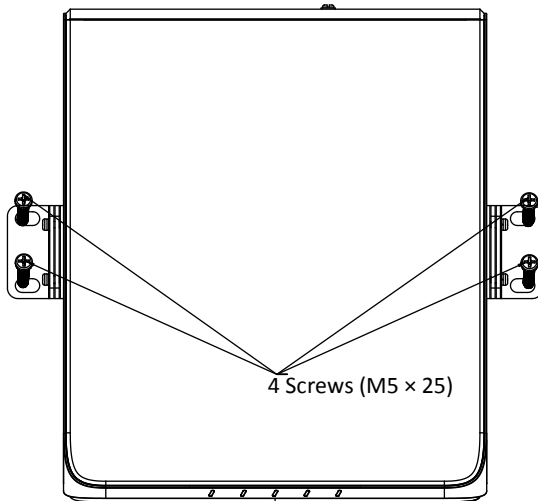


Figure 2-4 Fix Bracket

2.2 Cabinet Mounting

Note:

When the device is installed in the cabinet, 1.5 U of space should be reserved for the cabinet.

1. Assemble the bracket with 4 pan head screws (M3 x 5).

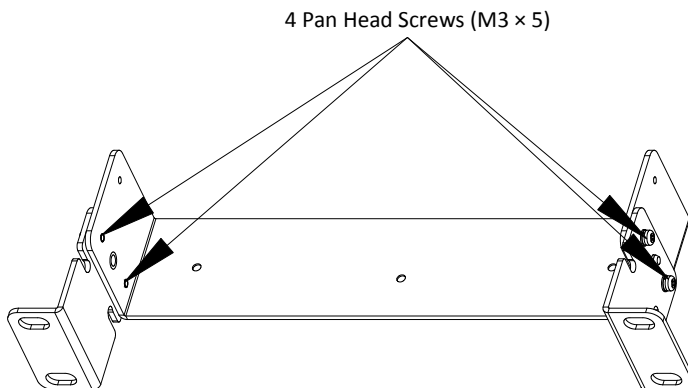


Figure 2-5 Assemble Bracket

Network Audio Processor ▪ Quick Start Guide

2. Fix the bracket to the audio processor with 3 countersunk screws (M3 × 5).

3 Countersunk Screws (M3 × 5)

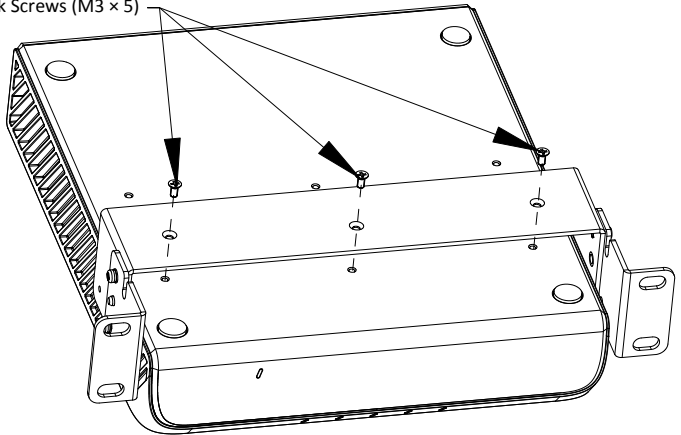
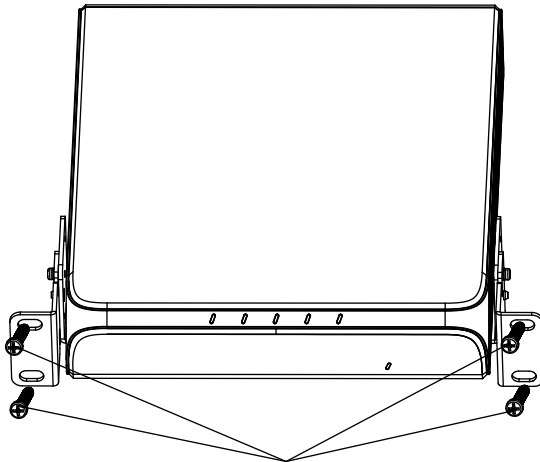


Figure 2-6 Fix Bracket to Device

3. Adjust the position according to the scene, and fix the bracket to the cabinet with 4 screws (M5 × 25).



4 Screws (M5 × 25)

Figure 2-7 Fix Bracket to Cabinet

Chapter 3 Activate and Access

Scan the QR code to get Activate and Access. Note that mobile data charges may apply if Wi-Fi is unavailable.



