



Indoor Rental LED Display Unit

Quick Start Guide

Legal Information

About this Document

- This Document includes instructions for using and managing the Product. Pictures, charts, images and all other information hereinafter are for description and explanation only.
- The information contained in the Document is subject to change, without notice, due to firmware updates or other reasons. Please find the latest version of the Document at the Hikvision website (<https://www.hikvision.com>). Unless otherwise agreed, Hangzhou Hikvision Digital Technology Co., Ltd. or its affiliates (hereinafter referred to as "Hikvision") makes no warranties, express or implied.
- Please use the Document with the guidance and assistance of professionals trained in supporting the Product.

About this Product

This product can only enjoy the after-sales service support in the country or region where the purchase is made.

Acknowledgment of Intellectual Property Rights

- Hikvision owns the copyrights and/or patents related to the technology embodied in the Products described in this Document, which may include licenses obtained from third parties.
- Any part of the Document, including text, pictures, graphics, etc., belongs to Hikvision. No part of this Document may be excerpted, copied, translated, or modified in whole or in part by any means without written permission.
- **HIKVISION** and other Hikvision's trademarks and logos are the properties of Hikvision in various jurisdictions.
- Other trademarks and logos mentioned are the properties of their respective owners.
- **HDMI**™ The terms HDMI and HDMI High-Definition Multimedia Interface, and the HDMI Logo are trademarks or registered trademarks of HDMI Licensing Administrator, Inc. in the United States and other countries.

LEGAL DISCLAIMER

- TO THE MAXIMUM EXTENT PERMITTED BY APPLICABLE LAW, THIS DOCUMENT AND THE PRODUCT DESCRIBED, WITH ITS HARDWARE, SOFTWARE AND FIRMWARE, ARE PROVIDED "AS IS" AND "WITH ALL FAULTS AND ERRORS". HIKVISION MAKES NO WARRANTIES, EXPRESS OR IMPLIED, INCLUDING WITHOUT LIMITATION, MERCHANTABILITY, SATISFACTORY QUALITY, OR FITNESS FOR A PARTICULAR PURPOSE. THE USE OF THE PRODUCT BY YOU IS AT YOUR OWN RISK. IN NO EVENT WILL HIKVISION BE LIABLE TO YOU FOR ANY SPECIAL, CONSEQUENTIAL, INCIDENTAL, OR INDIRECT DAMAGES, INCLUDING, AMONG OTHERS, DAMAGES FOR LOSS OF

BUSINESS PROFITS, BUSINESS INTERRUPTION, OR LOSS OF DATA, CORRUPTION OF SYSTEMS, OR LOSS OF DOCUMENTATION, WHETHER BASED ON BREACH OF CONTRACT, TORT (INCLUDING NEGLIGENCE), PRODUCT LIABILITY, OR OTHERWISE, IN CONNECTION WITH THE USE OF THE PRODUCT, EVEN IF HIKVISION HAS BEEN ADVISED OF THE POSSIBILITY OF SUCH DAMAGES OR LOSS.

- YOU ACKNOWLEDGE THAT THE NATURE OF THE INTERNET PROVIDES FOR INHERENT SECURITY RISKS, AND HIKVISION SHALL NOT TAKE ANY RESPONSIBILITIES FOR ABNORMAL OPERATION, PRIVACY LEAKAGE OR OTHER DAMAGES RESULTING FROM CYBER-ATTACK, HACKER ATTACK, VIRUS INFECTION, OR OTHER INTERNET SECURITY RISKS; HOWEVER, HIKVISION WILL PROVIDE TIMELY TECHNICAL SUPPORT IF REQUIRED.
- YOU AGREE TO USE THIS PRODUCT IN COMPLIANCE WITH ALL APPLICABLE LAWS, AND YOU ARE SOLELY RESPONSIBLE FOR ENSURING THAT YOUR USE CONFORMS TO THE APPLICABLE LAW. ESPECIALLY, YOU ARE RESPONSIBLE, FOR USING THIS PRODUCT IN A MANNER THAT DOES NOT INFRINGE ON THE RIGHTS OF THIRD PARTIES, INCLUDING WITHOUT LIMITATION, RIGHTS OF PUBLICITY, INTELLECTUAL PROPERTY RIGHTS, OR DATA PROTECTION AND OTHER PRIVACY RIGHTS. YOU SHALL NOT USE THIS PRODUCT FOR ANY PROHIBITED END-USES, INCLUDING THE DEVELOPMENT OR PRODUCTION OF WEAPONS OF MASS DESTRUCTION, THE DEVELOPMENT OR PRODUCTION OF CHEMICAL OR BIOLOGICAL WEAPONS, ANY ACTIVITIES IN THE CONTEXT RELATED TO ANY NUCLEAR EXPLOSIVE OR UNSAFE NUCLEAR FUEL-CYCLE, OR IN SUPPORT OF HUMAN RIGHTS ABUSES.
- IN THE EVENT OF ANY CONFLICTS BETWEEN THIS DOCUMENT AND THE APPLICABLE LAW, THE LATTER PREVAILS.

© Hangzhou Hikvision Digital Technology Co., Ltd. All rights reserved.




Preface

Applicable Models

This guide is applicable to indoor rental LED display unit.

Symbol Conventions

The symbols that may be found in this document are defined as follows.

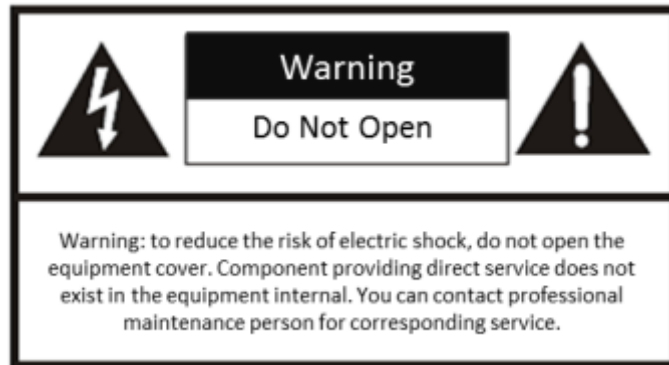
Symbol	Description
 Note	Provides additional information to emphasize or supplement important points of the main text.
 Caution	Indicates a potentially hazardous situation, which if not avoided, could result in equipment damage, data loss, performance degradation, or unexpected results.
 Danger	Indicates a hazard with a high level of risk, which if not avoided, will result in death or serious injury.

Safety Instructions

Caution

- To reduce the risk of fire or electric shock, please do not expose the device to rain or humid environment.
- The device may generate radio interference in indoor environment. Necessary precautions may be required.
- Electric discharge may last for a short period of time after the power is shut down. Please wait two minutes after the power is shut down before operating the device.
- To avoid the risk of electric shock, please do not operate when the power is on.
- Please do not plug and unplug the power cable when the power is on.
- Ensure correct voltage and wiring of the terminals for connection to mains supply.
- The device is only suitable for installation on the concrete or non-flammable surfaces, to prevent molten material from dripping to the bottom during fire caused by internal failure.
- Keep 90 degrees when moving and using the device.
- Do not place anything containing liquid on the device to avoid the risk of fire or electric shock caused by liquid-splashing.

- Install the device no more than 5 mm away from the wall or other metal racks in case of lamp board drop resulting in electric shock.
- After installation, there should be no openings around the LED module. The bottom bracket under the wire outlet position should completely cover the bottom hole only to let the wire out, to prevent the molten material from dripping to the bottom during fire caused by internal failure.
- To ensure safety, the installation parts and the wall should support four times the weight of the device.



 **Warning**

- In the use of the product, you must be in strict compliance with the electrical safety regulations of the nation and region.
- The device shall not be exposed to water dripping or splashing, and no objects filled with liquids, such as vases, shall be placed on the device.
- The protective grounding of the device should be reliably connected to the building protective grounding.
- Do not touch the bare components (such as the metal contacts of the inlets) and wait for at least 5 minutes, since electricity may still exist after the device is powered off.
- + identifies the positive terminals of the device which is used with, or generates direct current, and - identifies the negative terminal(s) of the device which is used with, or generates direct current.
- No naked flame sources, such as lighted candles, should be placed on the device.
- Install the device according to the instructions in Quick Start Guide.
- To prevent injury, this device must be securely attached to the installation surface in accordance with the installation instructions.
- Never place the device in an unstable location. The device may fall, causing serious personal injury or death.
- The additional force shall be equal to three times the weight of the device but not less than 50 N. The device and its associated mounting means shall remain secure during the installation. After the installation, the device, including any associated mounting plate, shall not be damaged.
- The interface varies with the models. Please refer to the product datasheet for details.

- If the device needs to be wired by yourself, select the corresponding wire to supply power according to the electric parameters labeled on the device. Strip off wire with a standard wire stripper at corresponding position. To avoid serious consequences, the length of stripped wire shall be appropriate, and conductors shall not be exposed.
- Make sure that the power has been disconnected before you wire, install, or disassemble the device.
- If smoke, odor, or noise arises from the power supply or device, immediately turn off the power, unplug the power cable, and contact the service center.
- The equipment has been designed, when required, modified for connection to an IT power distribution system.
- NEVER place items that might tempt children to climb, such as toys and remote controls, on the top of the equipment.
- CAUTION: This bracket is intended for use only with LED display unit. Use with other equipment may result in instability causing injury.
- This device is suitable for mounting on concrete or other non-combustible surface only to avoid fire hazard.
- The power supply or device must be connected to an earthed mains socket-outlet.
- High voltage for the power supply. Do not disassemble it.
- An all-pole mains switch shall be incorporated in the electrical installation of the building.
- A readily accessible disconnect device shall be incorporated external to the equipment, rated 220/230/240 VAC, 6 A for each device. A single device is recommended for AC 220 V/ 230 V/ 240 V, 6 A circuit breakers. When multiple devices are superimposed, a suitable circuit breaker should be selected according to the total rated current, but it must not exceed the building equipped circuit specifications.
- To reduce the risk of electric shock, install protective shield on the exposed connector after installing LED screen.
- The power supply or device must be connected to an earthed mains socket-outlet.
- High voltage for the power supply. Do not disassemble it.
- CAUTION: This device is for use only with LED bracket. Use with other (carts, stands, or carriers) may result in instability causing injury.
- The device external wiring connected to the hazardous live terminals requires installation by an instructed person.
- To reduce the risk of electric shock, install protective shield on the exposed connector after installing LED screen.
- Disconnect the power plug before installing the protective shield.
- Disconnect the power plug before maintenance.
- Make sure the power supply is well-grounded.
- The external wire connection between device and hazardous electronic terminals should be operated by professionals.
- Please strictly follow the installation method in this guide.

- To prevent injury, the device must be securely fixed to the ground, wall, ceiling, or steel frame. The all-in-one rack should be fixed to the ground with expansion screws.
- The supporting rack can only be used with the device. Using it with other devices may cause instability and injury.
- The device can only be used with the supporting rack. Using it with other equipment (such as a cart, shelf, or handling device) may cause instability and injury.
- This is a class A product and may cause radio interference in which case the user may be required to take adequate measures.

TABLE OF CONTENTS

Chapter 1 Product Introduction	1
1.1 Overview	1
1.2 Product Components	1
1.3 Features	1
Chapter 2 Rack Installation	2
2.1 Precautions	2
2.2 Install the Cabinet on the Hanging Bar	2
2.2.1 Install the Cabinet with Standard Lock	2
2.2.2 Install the Cabinet with Curved Lock	3
2.3 Install the Cabinet on the Stacking Rack	5
Chapter 3 Cabinet Installation	15
3.1 Precautions	15
3.2 Cabinet Overview	15
3.3 Stitch Cabinet Frames	18
3.3.1 Locate Cabinet Frames	18
3.3.2 Stitch Cabinet Frames Horizontally	20
3.3.3 Stitch Cabinet Frames Vertically	25
3.4 Connect Power Cord and Network Cable	34
3.4.1 Load Capability of Power Cords	34
3.4.2 Load Capability of Network Interfaces	34
3.4.3 Connect the Power Cord between Cabinets	34
3.4.4 Connect the Network Cable between Cabinets	36
3.5 Maintain the Cabinet	38
3.5.1 Maintain the Module	38
3.5.2 Maintain the Power Supply	40
3.5.3 Maintain the Receiving Card	41
3.5.4 Maintain the Hub Board	42
Chapter 4 Software Debugging	44

Chapter 1 Product Introduction

1.1 Overview

The rental LED display unit (hereinafter referred to as "the device" or "the product") is a high-quality, high-precision, and highly reliable LED display product characterized by quick installation, convenient transportation, strong protective performance, and flexible combination methods. The product can be used in various applications, including film and television production, large-scale entertainment events (ceremonies, concerts, and theaters), sports and competitions, conferences and exhibitions, and high-end entertainment venues.

A full-color LED display unit (hereinafter referred to as the device, the product, or the LED) is a large display panel that uses an array of light-emitting diodes as dot matrix modules or pixels for information display. It has a very small pixel pitch, which indicates the shortest distance between the centers of two pixels, facilitating to realize the nearly seamless splicing of screens. With clear and vivid visual presentation of colors, stable performance, long service life, strong adaptability, and cost-effective, the full-color LED display unit can be widely applied to scenarios such as radio and television broadcasting, video surveillance, conference display, and information display.

1.2 Product Components

An LED control system includes sending and receiving cards. The sending card packages images and sends them to the receiving card. The receiving card unpackages and processes the images, and then displays the images on the LED display unit.

1.3 Features

- Feather light and thin.
- Creative Splicing: Optional $\pm 10^\circ$ integrated curved lock, 500 mm \times 500 mm and 500 mm \times 1000 mm cabinets can be spliced vertically, 45° cut corner cabinets and flexible curved cabinets will be released.
- High image quality: Up to 1000 nit brightness for indoor product, 3840 Hz high refresh rate, provides excellent contrast and color performance for an immersive stage experience.
- Faster installation & Easier maintenance: Modular design with special eject button, all components can be quickly assembled, disassembled and maintained within 5 seconds.
- Concise appearance and sturdy cabinet design, focusing on providing one-stop solution for all your LED display needs: conferences, stages, product launches and real estate activities.

Chapter 2 Rack Installation

The device supports rigging and stacking installation using the hanging-rack. The rack can be adapted for use by removing the cliver as a hanging bar or by removing the bases as a stacking rack.

2.1 Precautions

- Installation personnel must wear protective gear.
- Take safety measures when working at heights.
- Make sure that the rack is mounted vertically to the flat ground without tilting or twisting.
- Check that all structural parts and fasteners are fully mounted without missing.
- After all the accessories are mounted, clean all the metal debris in the rack.

2.2 Install the Cabinet on the Hanging Bar

When installing the cabinets on the hanging bars, the vertical fast locks of cabinets should be fixed with the locks of hanging bars. Hanging bars can load a maximum number of 24 rental cabinets (500 mm × 500 mm), or 12 rental cabinets (500 mm × 1000 mm).

2.2.1 Install the Cabinet with Standard Lock

Step 1 Fix the hanging bars on the truss.

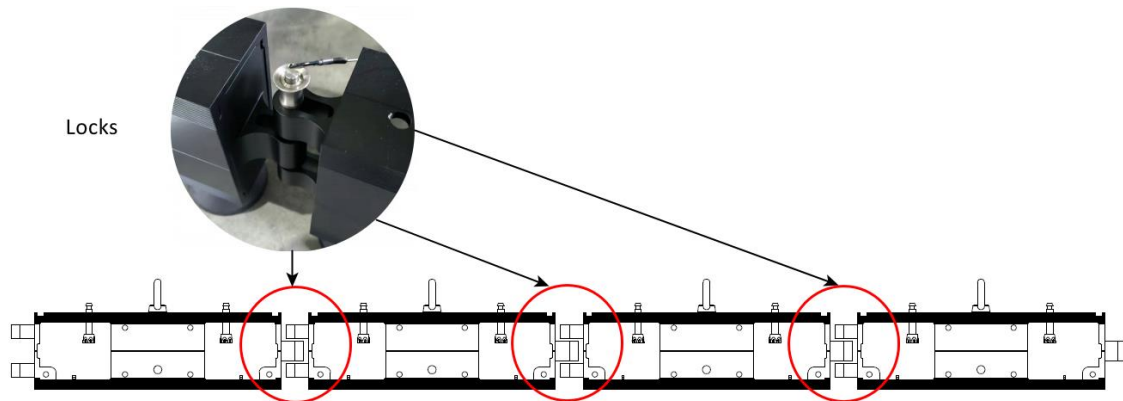


Figure 2-1 Fix the Hanging Bars

Step 2 Complete the horizontal stitching of the top row of cabinets. For more details, see 3.3.2 Stitch Cabinet Frames Horizontally. Align the vertical fast locks on the top row of cabinets with the mounting holes on the hanging bars, and then secure the locks between adjacent bars.

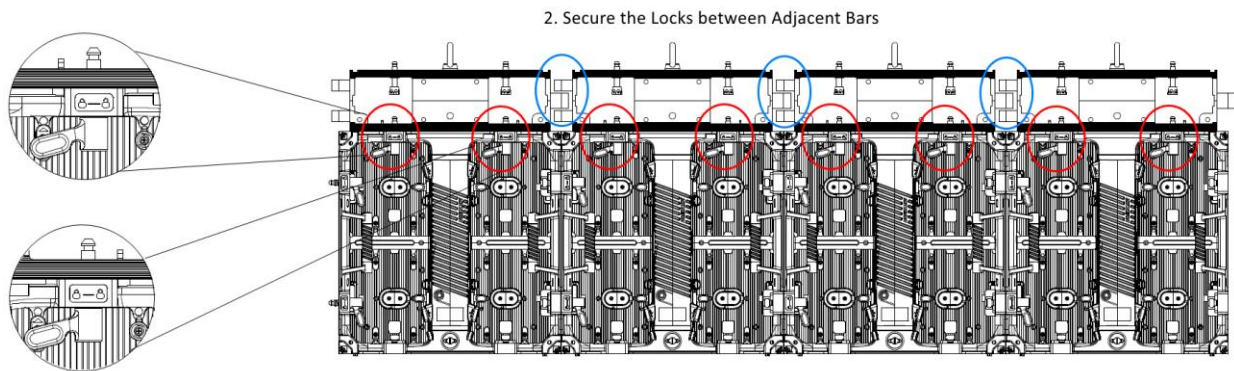


Figure 2-2 Install the Top Row of Cabinets (with Standard Lock)

Step 3 Rise the hanging bars to the appropriate height, then align the vertical locating studs on the second row of cabinets with the vertical locating holes on the top row of cabinets to finish the vertical stitching of cabinets. For more details, see 3.3.3 Stitch Cabinet Frames Vertically.

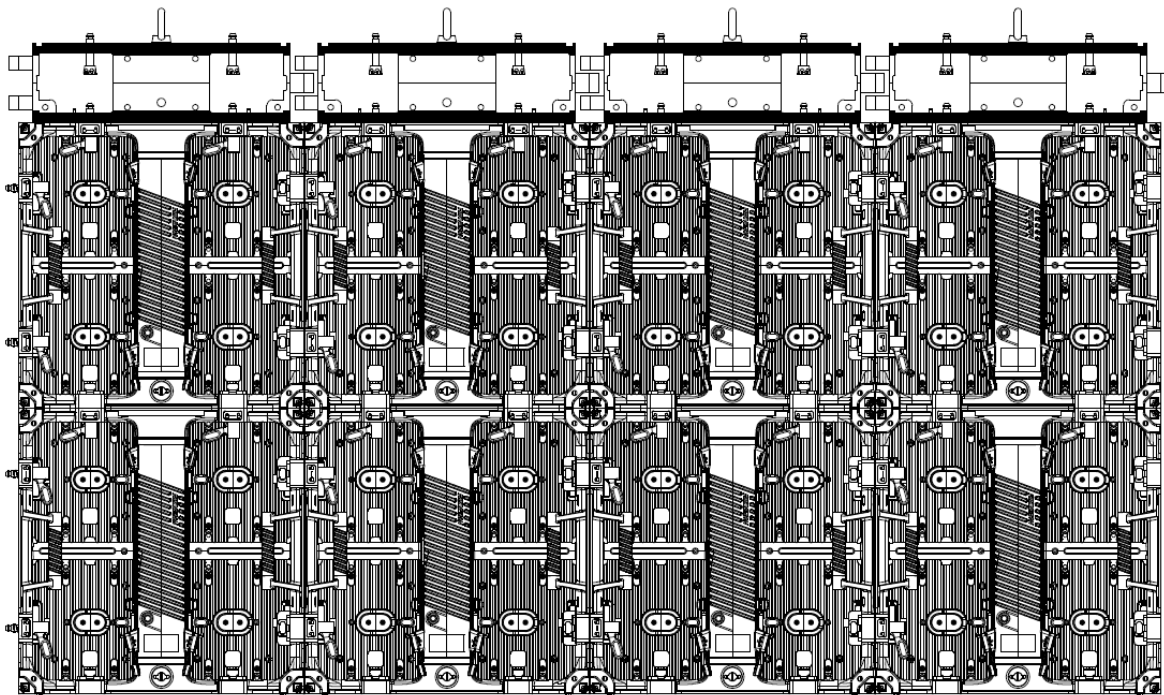


Figure 2-3 Install the Second Row of Cabinets (with Standard Lock)

Step 4 Repeat the above steps to install the remaining cabinets.

2.2.2 Install the Cabinet with Curved Lock

Step 1 Fix the hanging bar on the truss and adjust the angle between adjacent hanging bars.

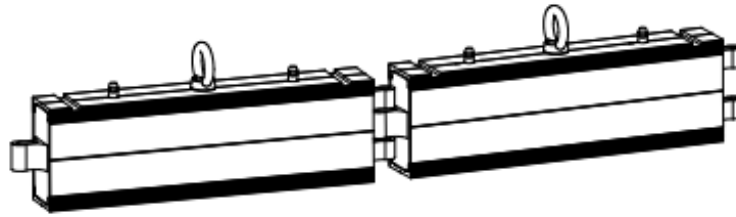
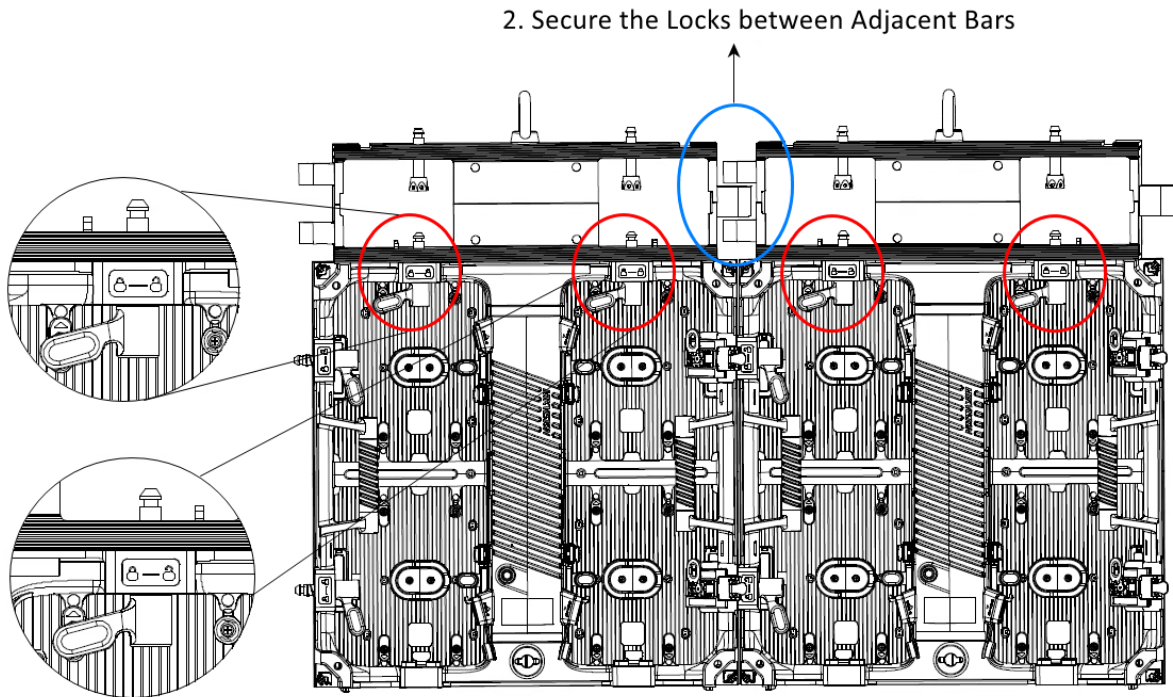


Figure 2-4 Fix the Hanging Bars

Step 2 Adjust the two curved locks on the top row of cabinets to the required splicing angle and complete the horizontal stitching of cabinets. For more details, see 3.3.2 Stitch Cabinet Frames Horizontally. Align the vertical fast locks on the top row of cabinets with the mounting holes on the hanging bars, and then secure the locks between adjacent bars.



2. Secure the Locks between Adjacent Bars

1. Align the Vertical Fast Locks of Cabinets with the Mounting Holes of Hanging Bars

Figure 2-5 Install the Top Row of Cabinets (with Curved Lock)

Step 3 Rise the hanging bar to the appropriate height, then align the vertical locating studs on the second row of cabinets with the vertical locating holes on the top row of cabinets to finish the vertical stitching of cabinets. For more details, see 3.3.3 Stitch Cabinet Frames Vertically.

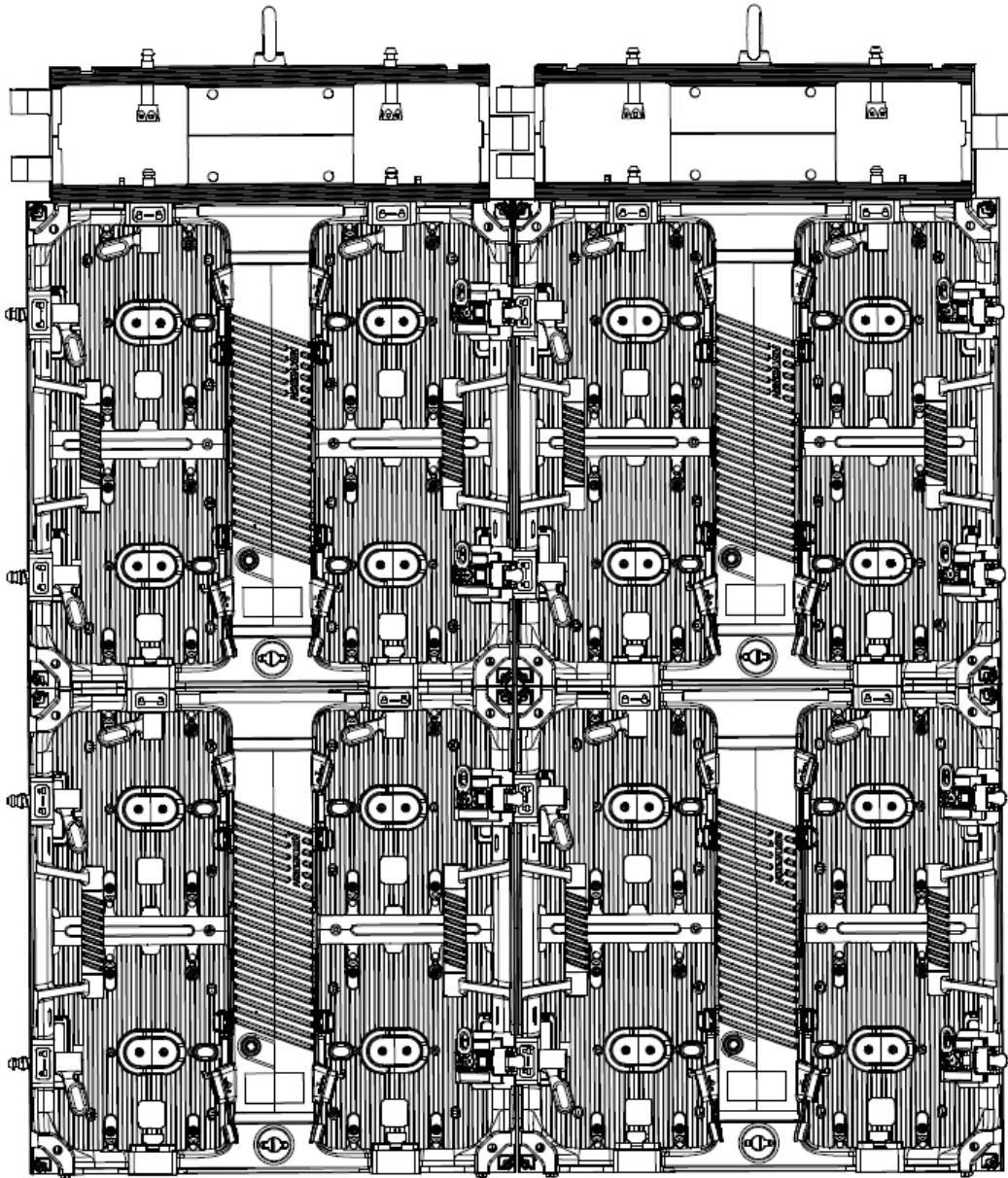


Figure 2-6 Install the Second Row of Cabinets (with Curved Lock)

Step 4 Repeat the above steps to install the remaining cabinets.

2.3 Install the Cabinet on the Stacking Rack

When installing the cabinets on the stacking racks, the vertical lock holes of cabinets should be fixed with the locks of stacking racks. Stacking racks can load a maximum number of 10 rental cabinets (500 mm × 500 mm), or 5 rental cabinets (500 mm × 1000 mm).

Step 1 Place the stacking rack on the ground and adjust the splicing angle between the stacking racks and ground bases according to the desired LED screen shape. Use locking plates to fix stacking racks with grounded bases in sequence. Do not tighten the locks between adjacent stacking racks.

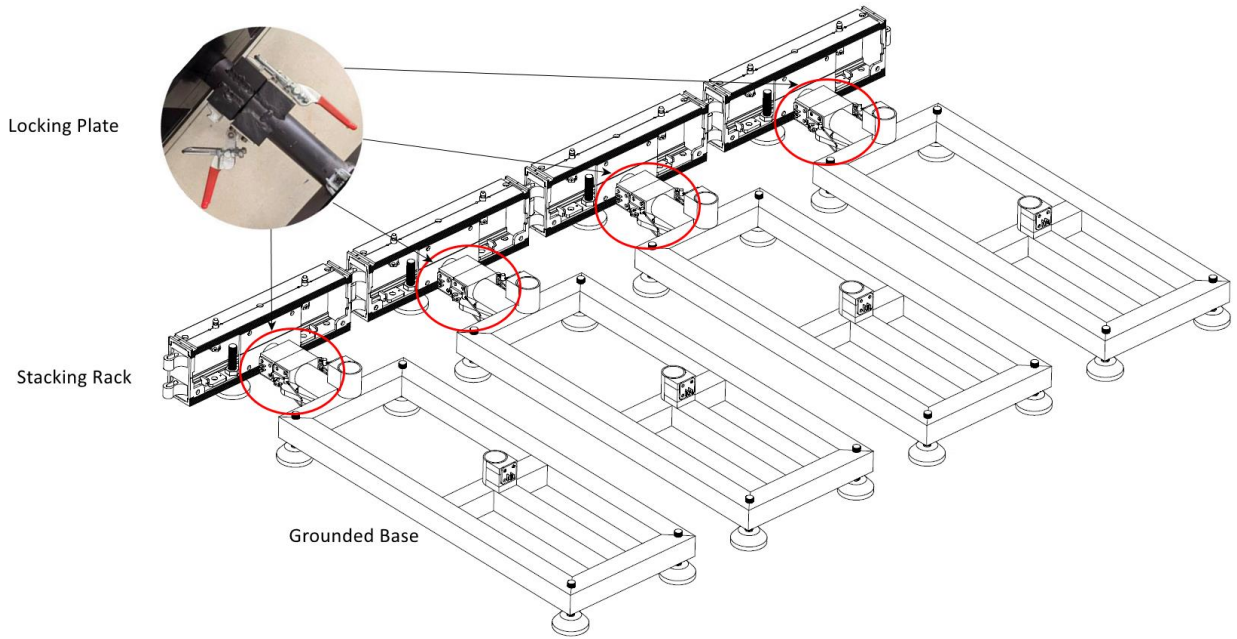


Figure 2-7 Fix Stacking Racks with Grounded Bases

- When splicing to a straight LED screen, select the cabinet with standard lock for stacking installation.
- When splicing to a concave or a convex LED screen, the angle of grounded base supports $\pm 2.5^\circ$, $\pm 5^\circ$, $\pm 7.5^\circ$, $\pm 10^\circ$.
- When splicing to a straight LED screen, a concave or a convex LED screen, a stacking rack must be fixed with a grounded base.

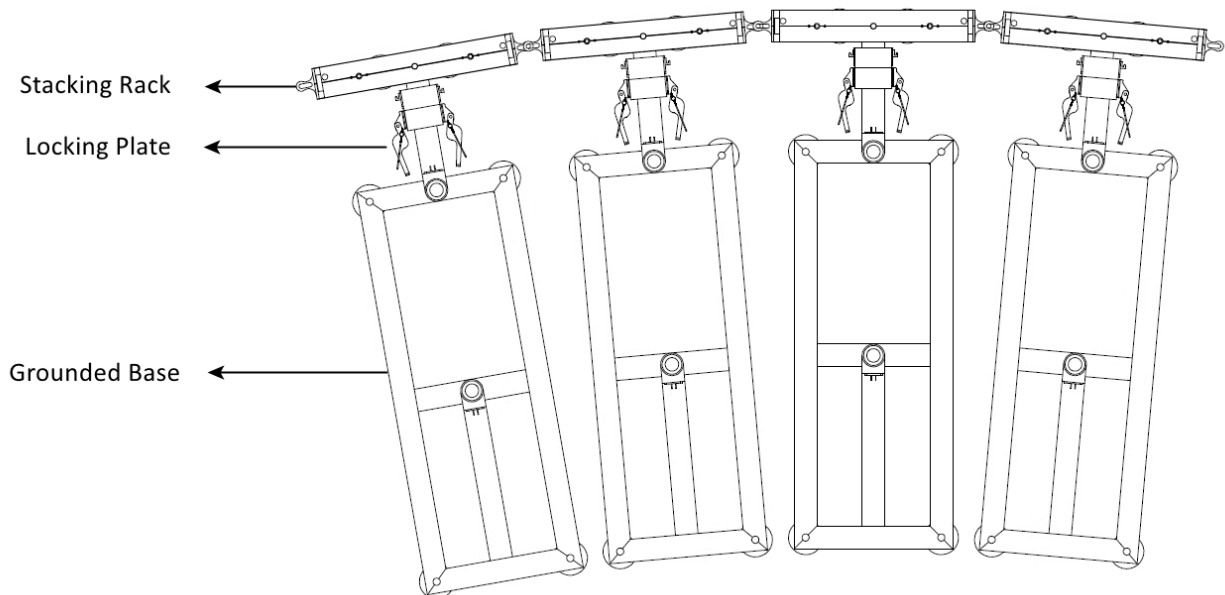


Figure 2-8 Convex Splicing Diagram

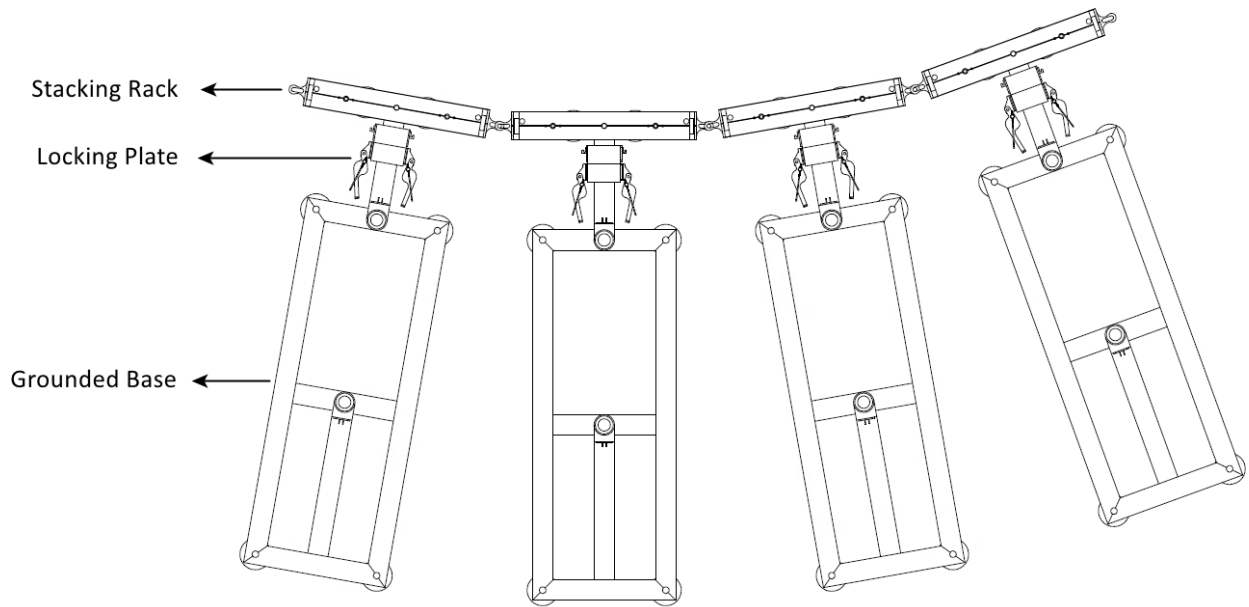


Figure 2-9 Concave Splicing Diagram

Step 2 Fix the bracing frames with grounded bases in order.

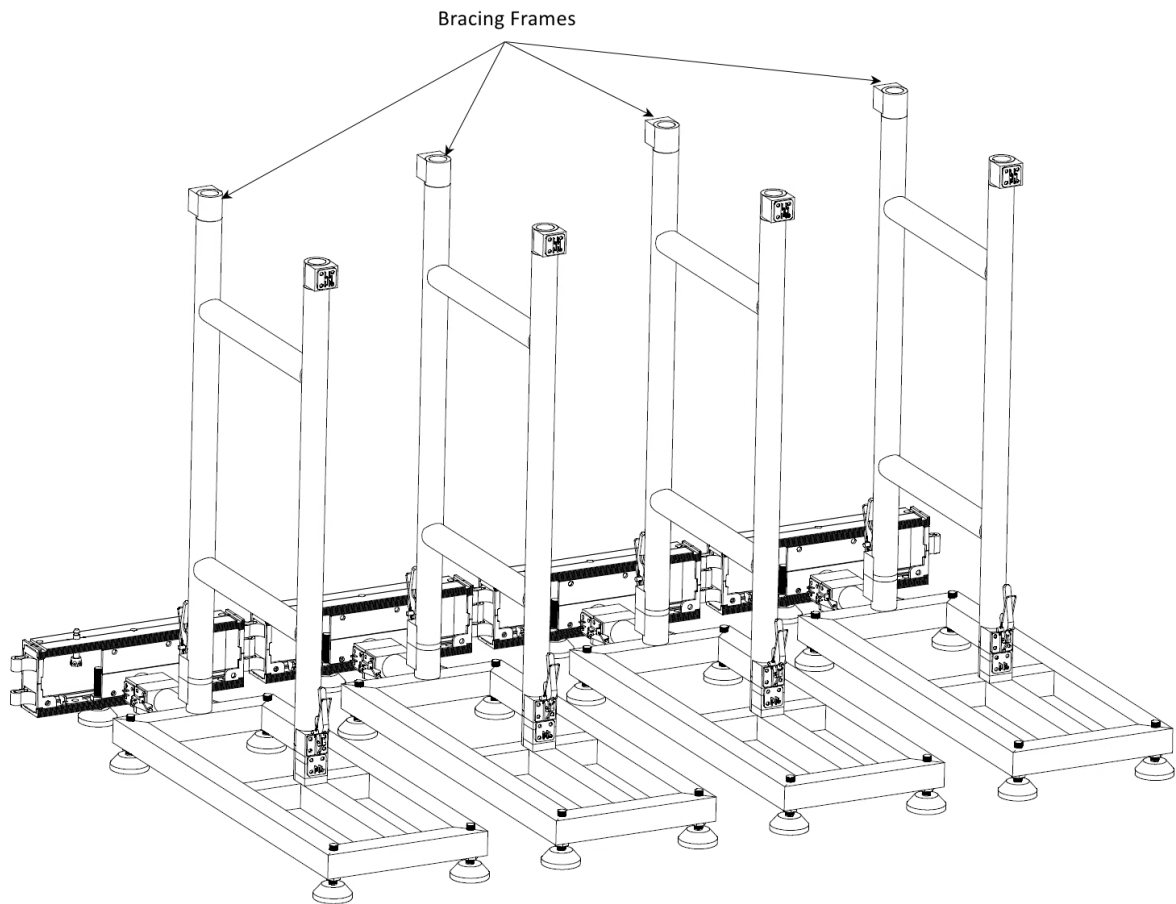


Figure 2-10 Fix Bracing Frames with Grounded Bases

Step 3 Install the telescoping crossbars on the bracing frames.

 **Note**

The length of the telescoping crossbars can be adjusted based on the required screen curvature. It is recommended not to finalize the length of the crossbars before completing the cabinet installation.

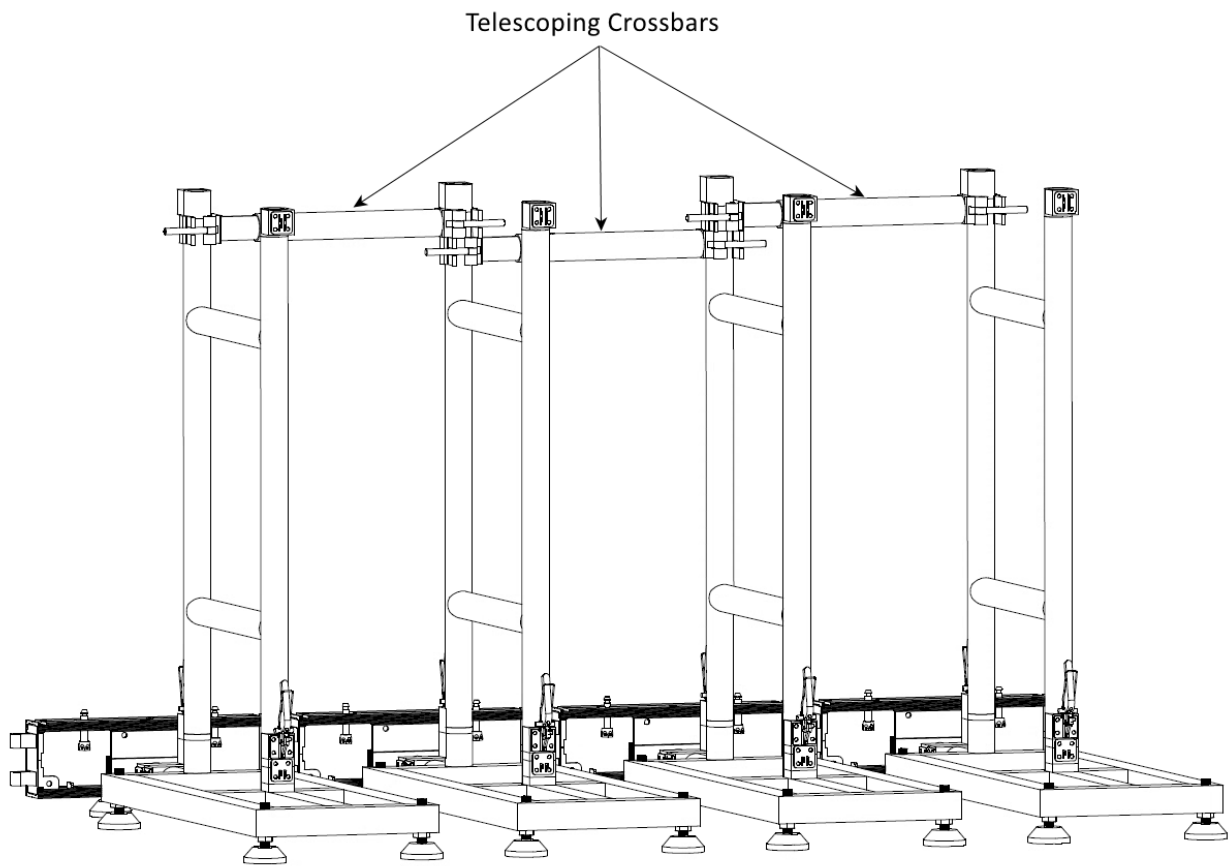


Figure 2-11 Install Telescoping Crossbars

Step 4 Secure the quick locks to the bracing frames. Install the cabinets from bottom to top row by row. For more details about vertical stitching of cabinet frames, see 3.3.3 Stitch Cabinet Frames Vertically.

- Align the locks on the top of the stacking racks with the lock holes at the bottom on the lowest row of cabinets. Insert locks into the holes and secure them.

Lock Hole at the Bottom of Cabinet

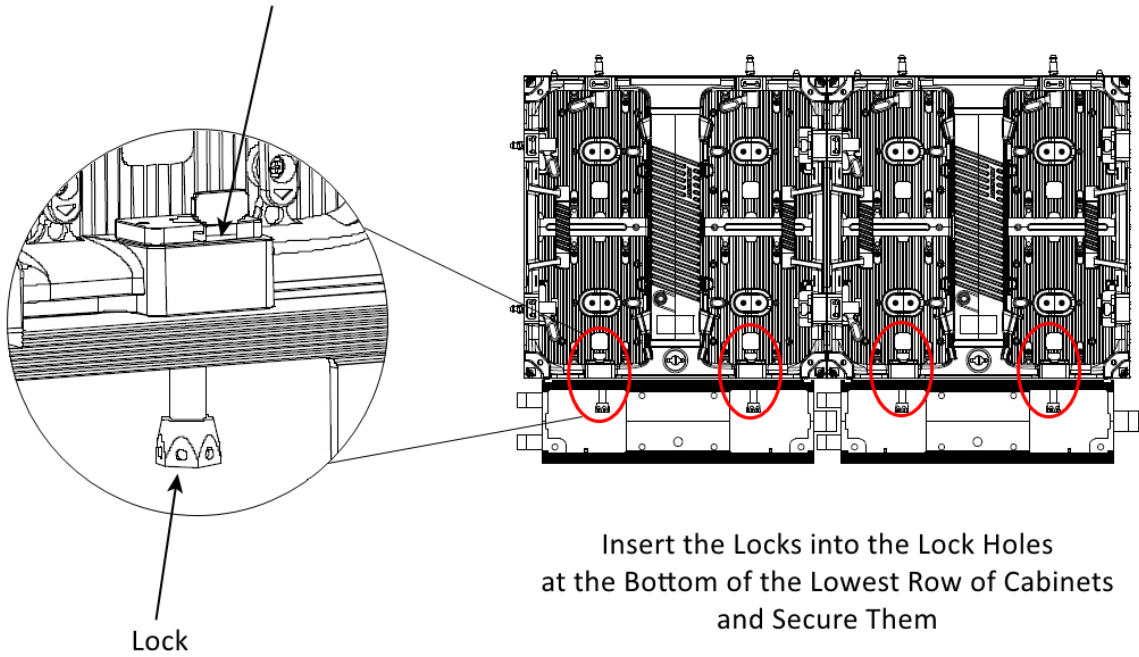


Figure 2-12 Install the Lowest Row of Cabinets (with Standard Lock)

Lock Hole at the Bottom of Cabinet

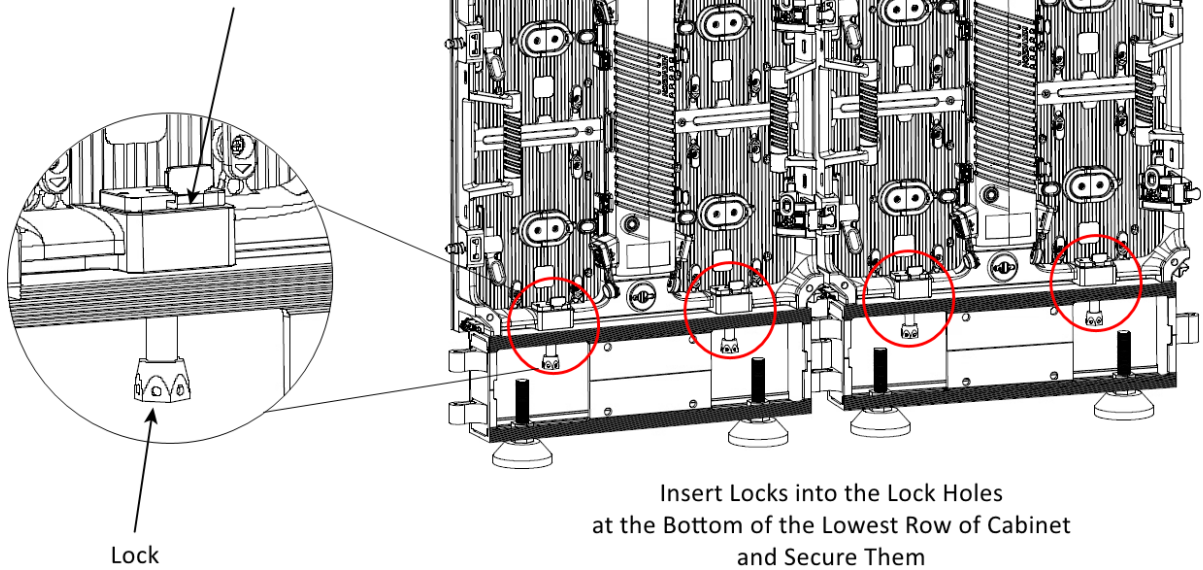


Figure 2-13 Install the Lowest Row of Cabinets (with Curved Lock)

- Align the holes on the quick locks with the installation holes on the cabinets. Fix the quick locks with the cabinets.

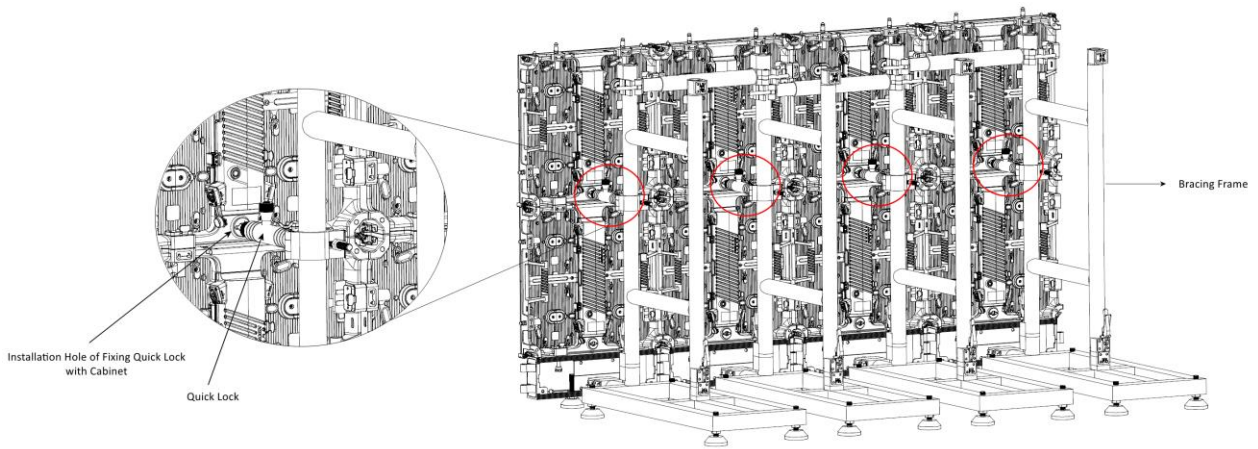
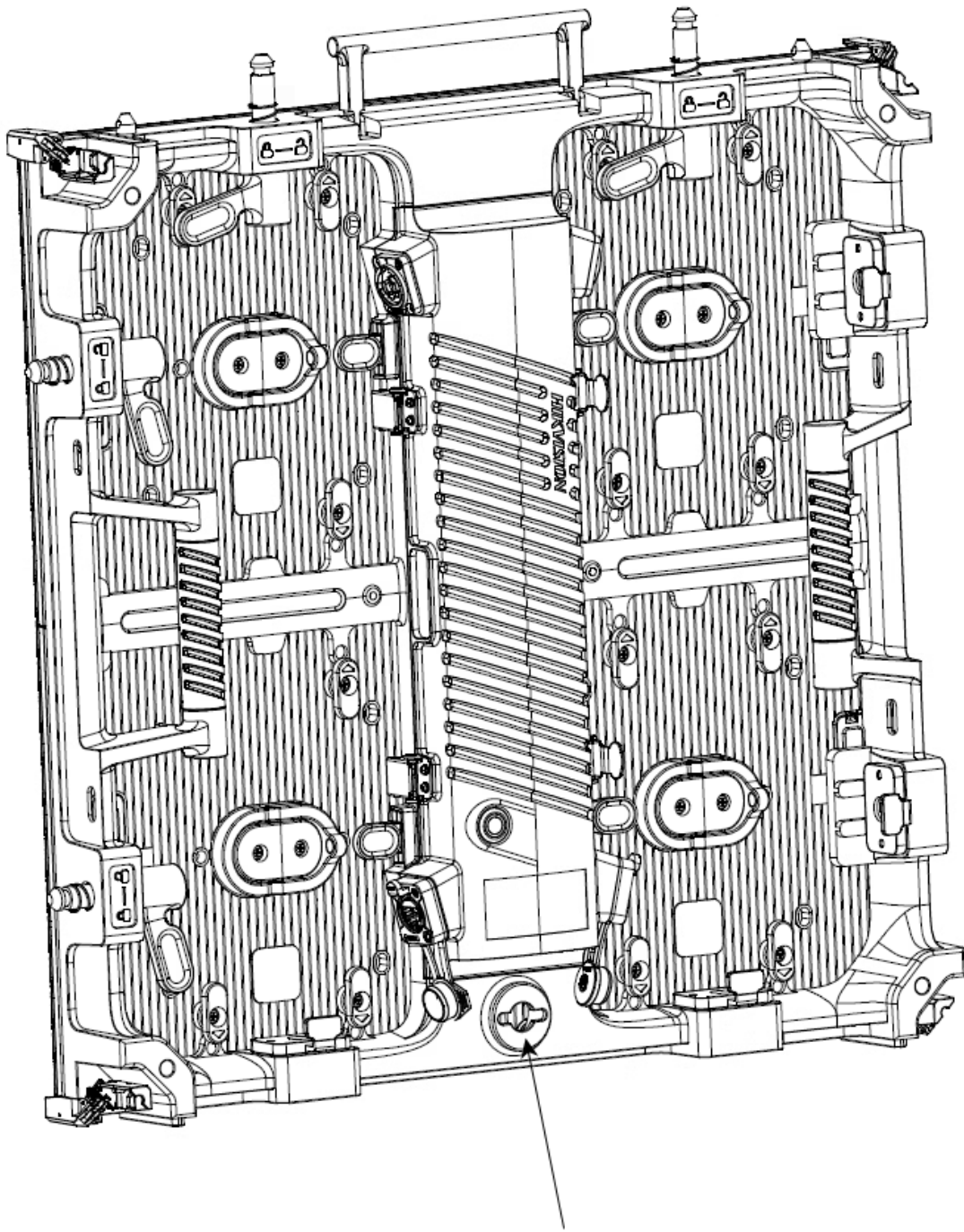
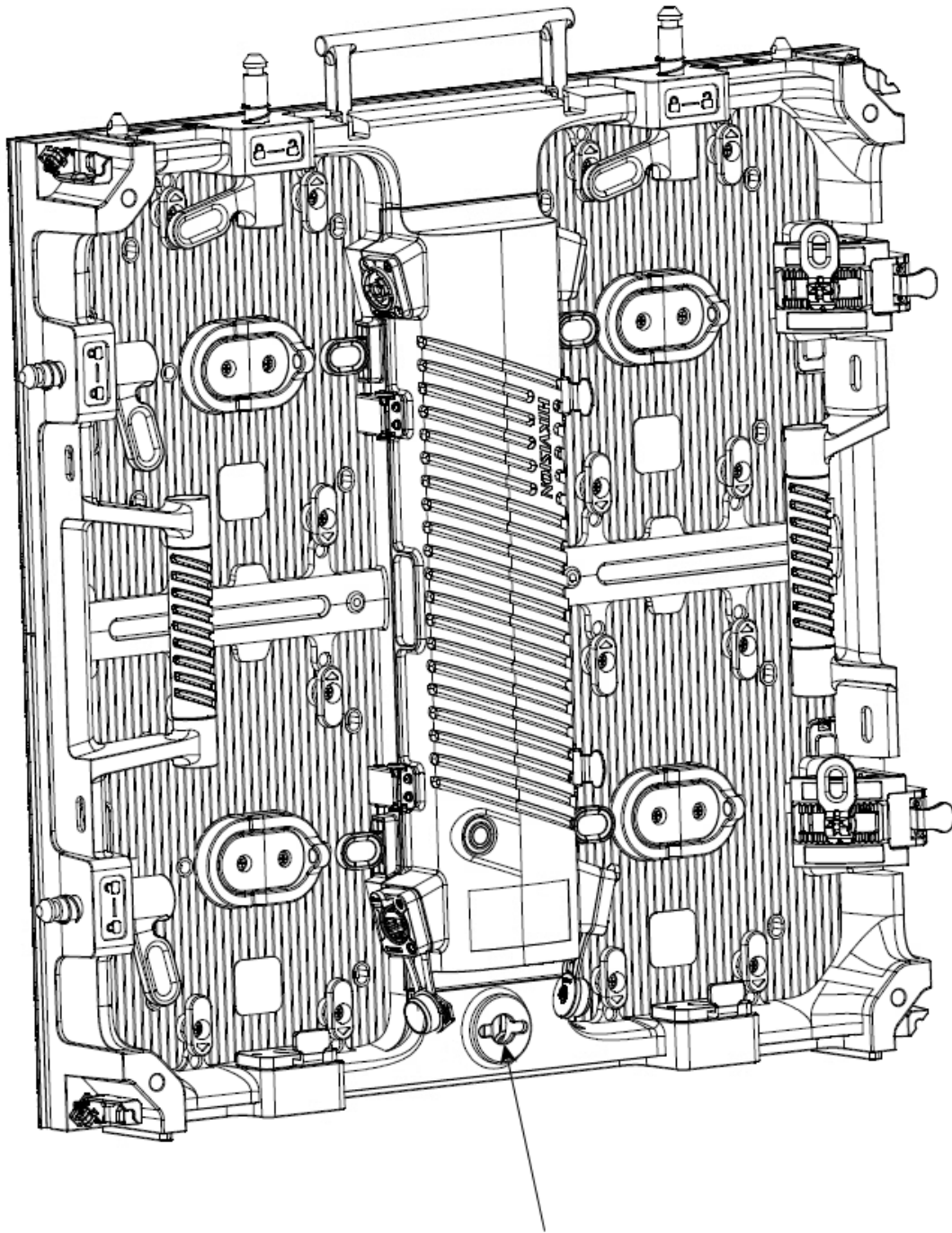


Figure 2-14 Install the Cabinets on Stacking Racks



Installation Hole of Fixing Quick Lock with Cabinet

Figure 2-15 Installation Holes on the Cabinet (with Standard Lock)



Installation Hole of Fixing Quick Lock with Cabinet

Figure 2-16 Installation Holes on the Cabinet (with Curved Lock)

Step 5 Tighten the locks on the bracing frames and locking plates between adjacent stacking racks.

 **Note**

Ensure all the accessories and screws are tightened during installation.

If the floor is uneven during stacking installation, adjust the base by rotating it.

Step 6 Repeat the above steps to complete the stacking installation of the remaining cabinets.

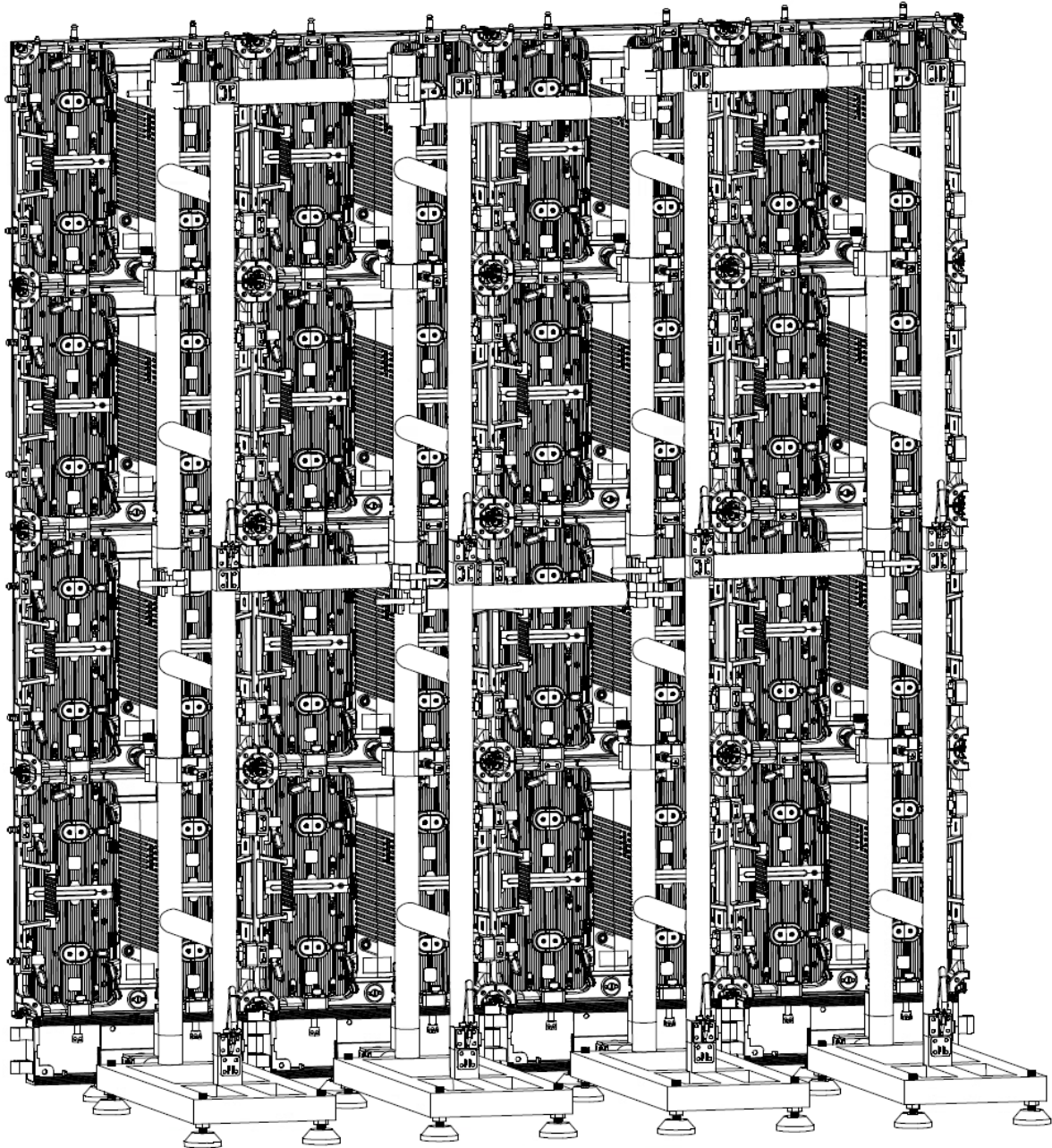


Figure 2-17 Stacking Installation Finished

Chapter 3 Cabinet Installation

A cabinet is a basic unit for LED engineering installation in which LED modules are neatly mounted on a metal sheet (cast aluminum) box, with a built-in independent receiving card and switching power supply, an engineering installation structure, and independent display.



Note

Since the product has different models, the following description takes one model as an example. The actual model prevails when the product is not marked.

3.1 Precautions

Read the following precautions before you install the device:

- Electric discharge may last for a short period of time after the power is shut down. Please wait two minutes after the power is shut down to operate the device.
- Only use the original power cord delivered with the device. Contact authorized dealer to purchase power cord with same specifications.
- Please do not frequently plug or unplug the power cord when the power is on.
- To reduce the risk of fire or electric shock, please do not expose the device to rain or humid environment.
- Avoid humid or high-PH environment to prevent damage to the LED lamps.

3.2 Cabinet Overview

There are five types of cabinets in total.

Table 3-1 Cabinet Specification

Type	Cabinet Dimensions (W × H × D)	Pixel Pitch	Cabinet Resolution
1	500 mm × 500 mm × 69 mm	P2.6	192 × 192
2		P2.9	168 × 168
3		P3.9	128 × 128
4	500 mm × 1000 mm × 69 mm	P2.9	168 × 336
5		P3.9	128 × 256

According to the lock type, the cabinets can be classified into standard rental cabinets (without a curved lock, i.e., standard fast lock) and curved rental cabinets (with a curved lock).

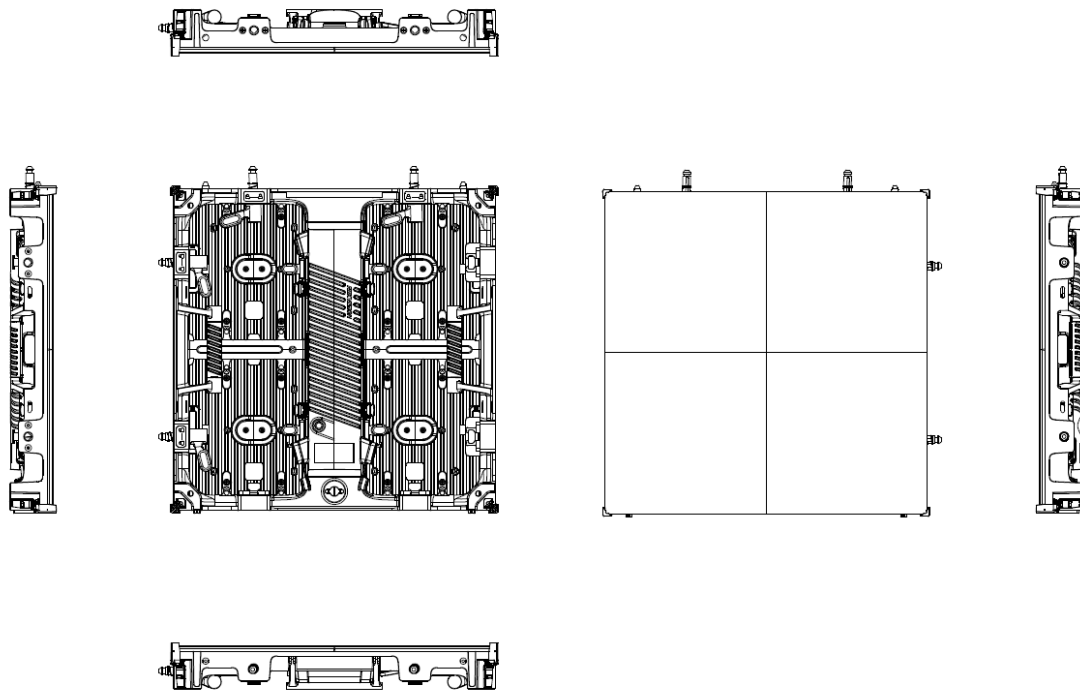


Figure 3-1 500 mm × 500 mm × 69 mm Cabinet (With Standard Lock)

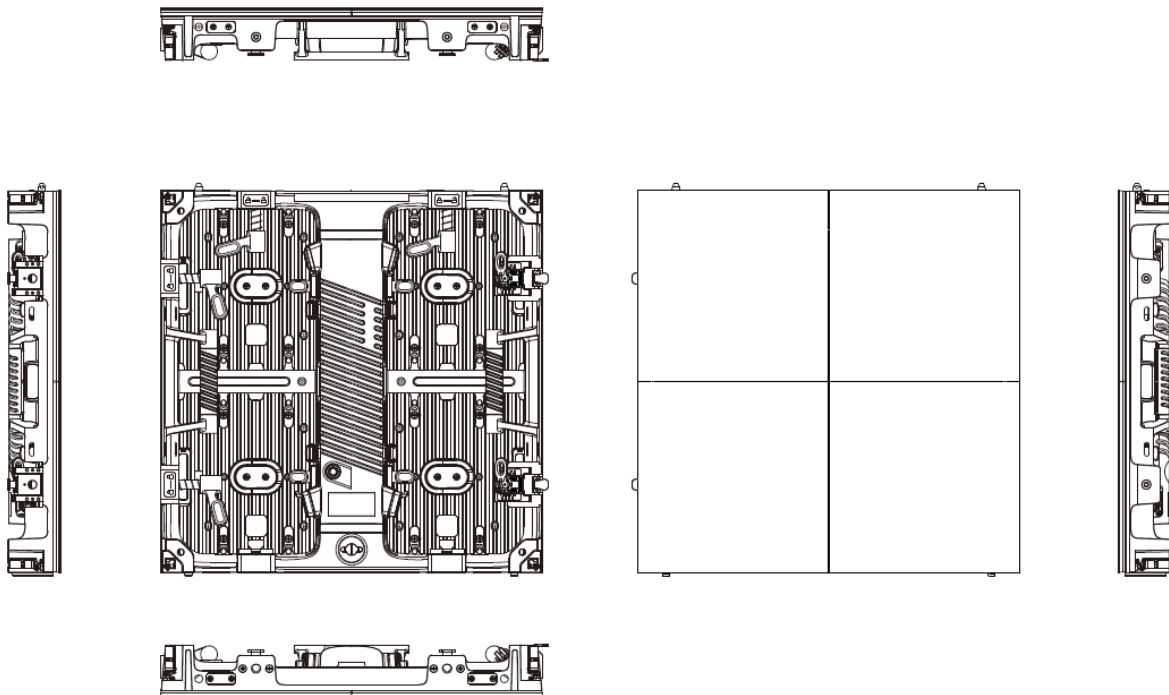


Figure 3-2 500 mm × 500 mm × 69 mm Cabinet (With Curved Lock)

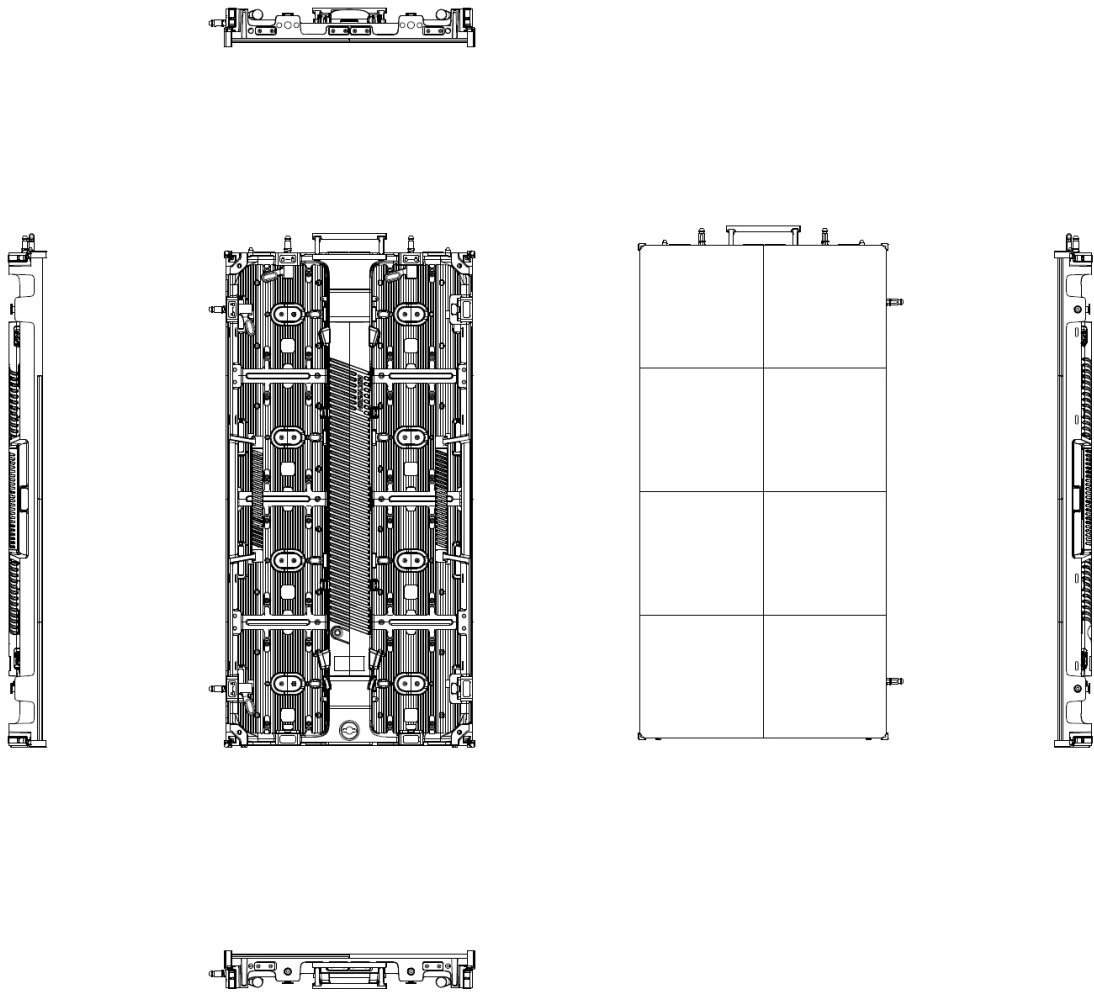


Figure 3-3 500 mm × 1000 mm × 69 mm Cabinet (With Standard Lock)

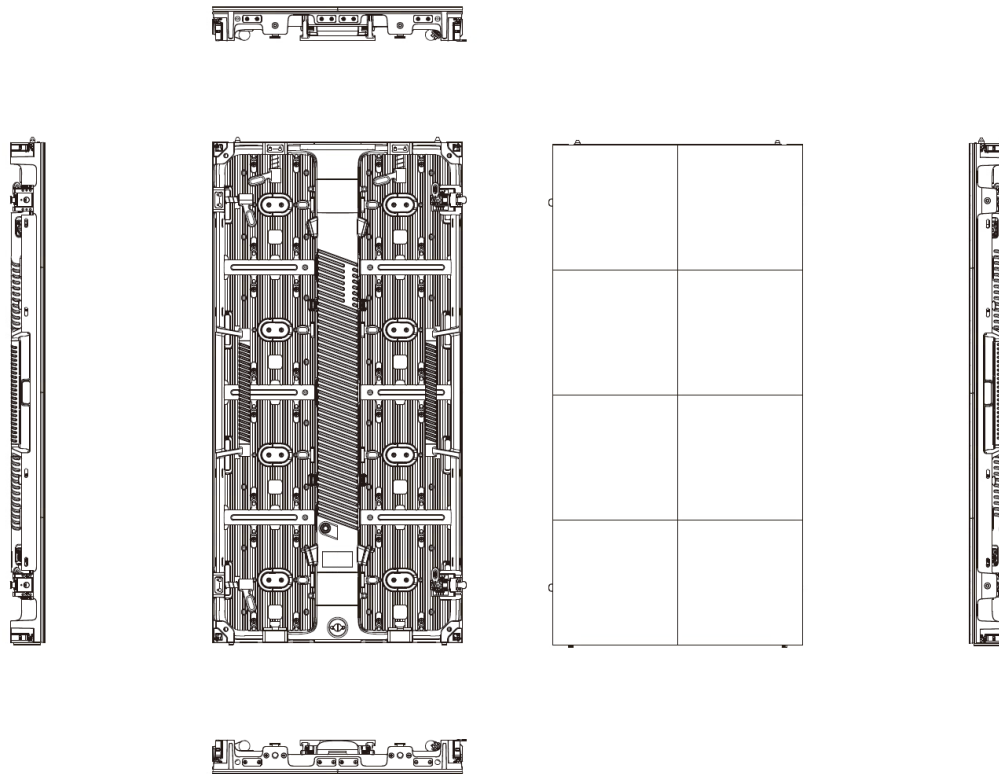


Figure 3-4 500 mm × 1000 mm × 69 mm Cabinet (With Curved Lock)

3.3 Stitch Cabinet Frames

3.3.1 Locate Cabinet Frames

You can locate two cabinet frames with the locking system. The curved locks can support the radian connection from -10° to $+10^{\circ}$. The structure of the cabinet is shown in the following figure.

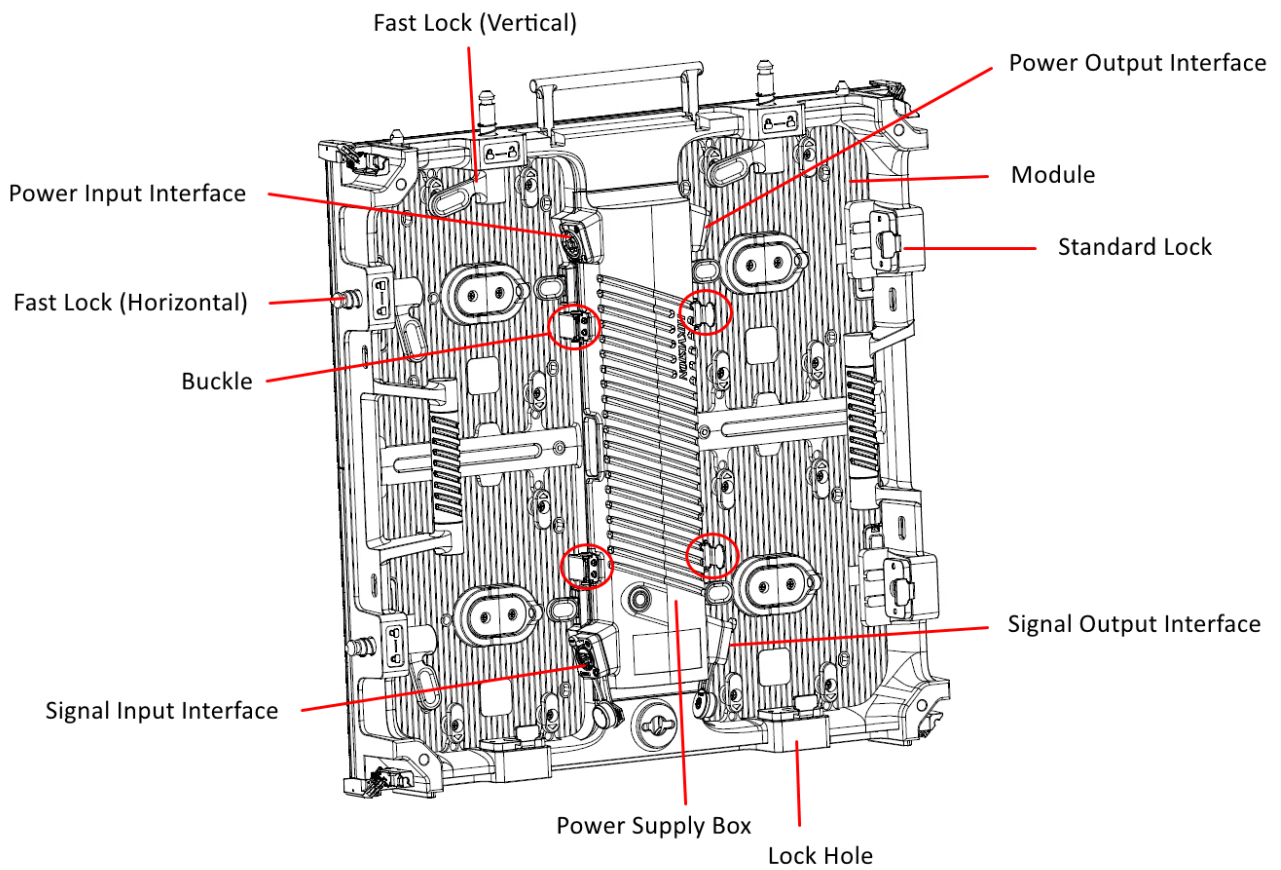


Figure 3-5 Cabinet Structure 1 (with Standard Lock)

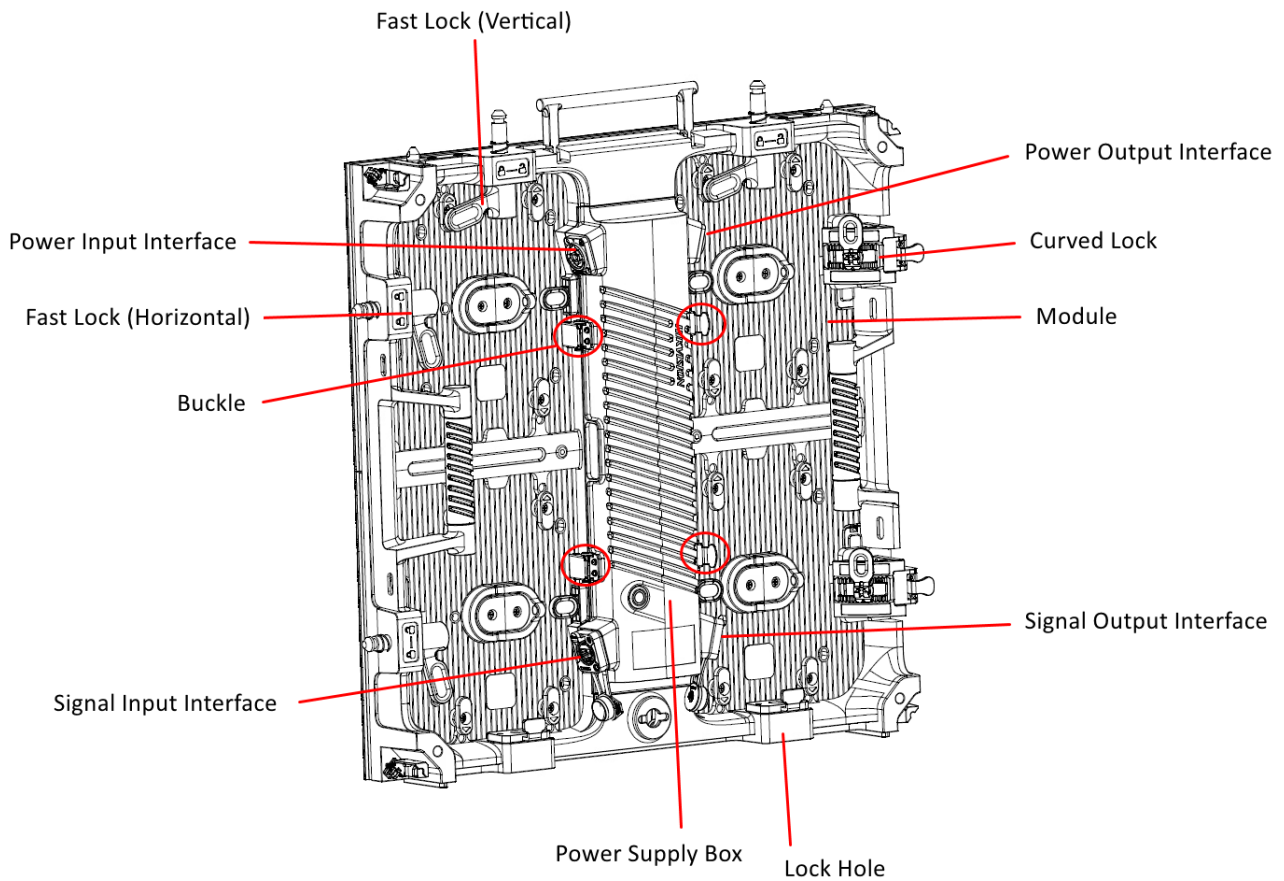
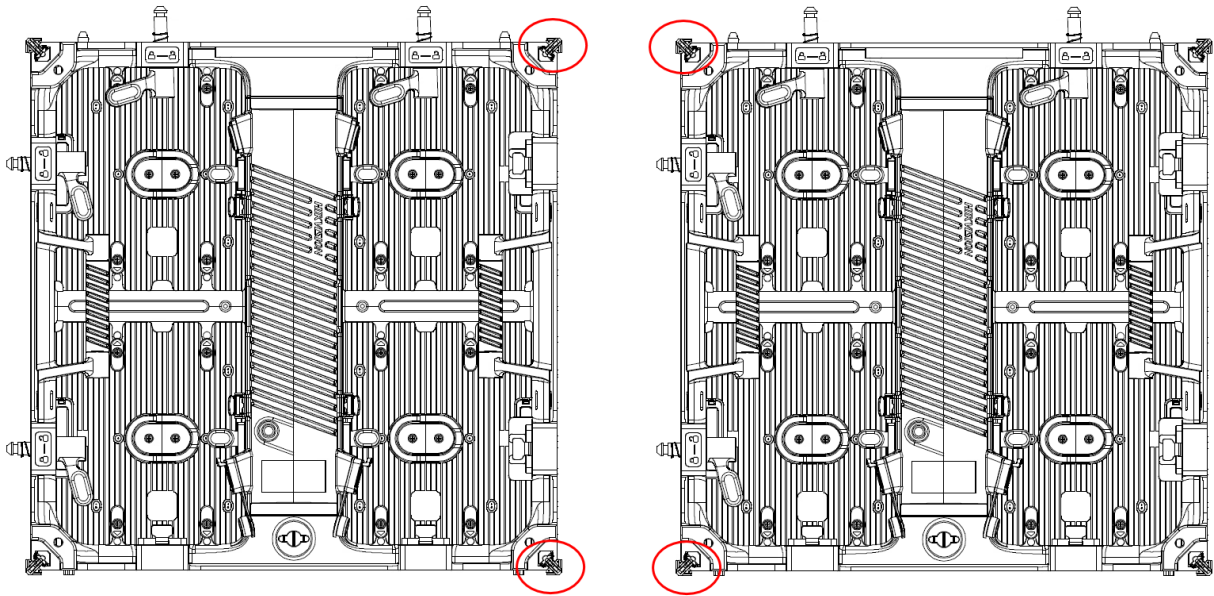


Figure 3-6 Cabinet Structure 2 (with Curved Lock)

3.3.2 Stitch Cabinet Frames Horizontally

Stitch Cabinet Frames Horizontally (with Standard Lock)

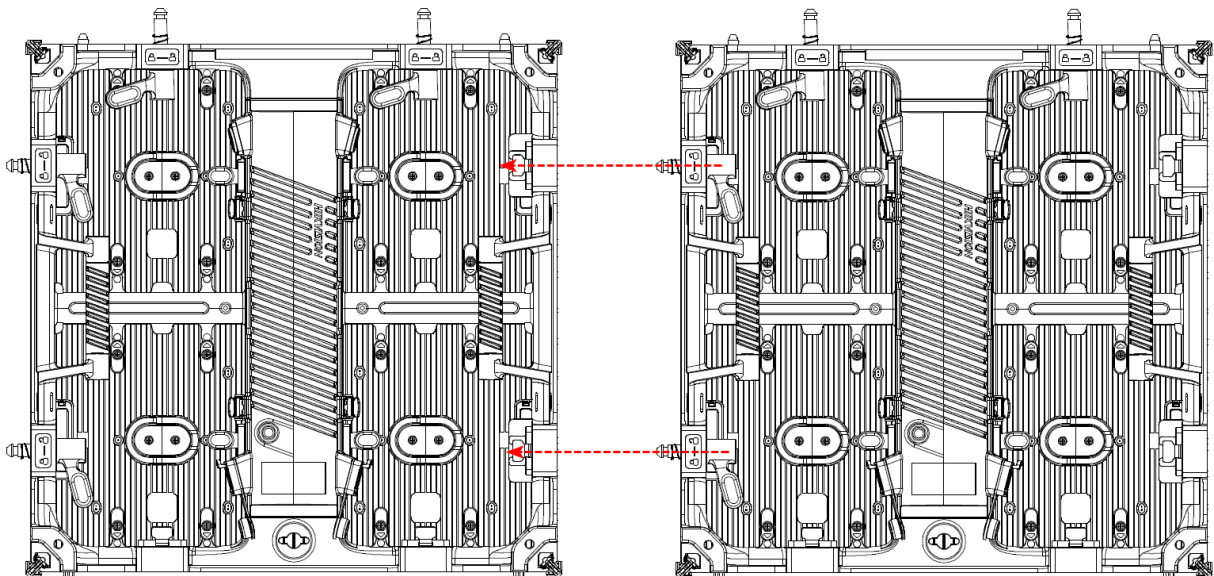
Step 1 Open the four corner protectors on the adjacent cabinet frames.



Open Corner Protectors

Figure 3-7 Open Corner Protectors

Step 2 Align the horizontal fast locks with the horizontal lock holes of the two adjacent cabinet frames, and adjust the cabinet frames to be relatively level.



Align Fast Locks with Lock Holes from Right to Left

Figure 3-8 Stitch Cabinets Horizontally

Step 3 Insert the fast locks of the right cabinet frame counterclockwise into the lock holes of the left cabinet frames to secure it tightly.

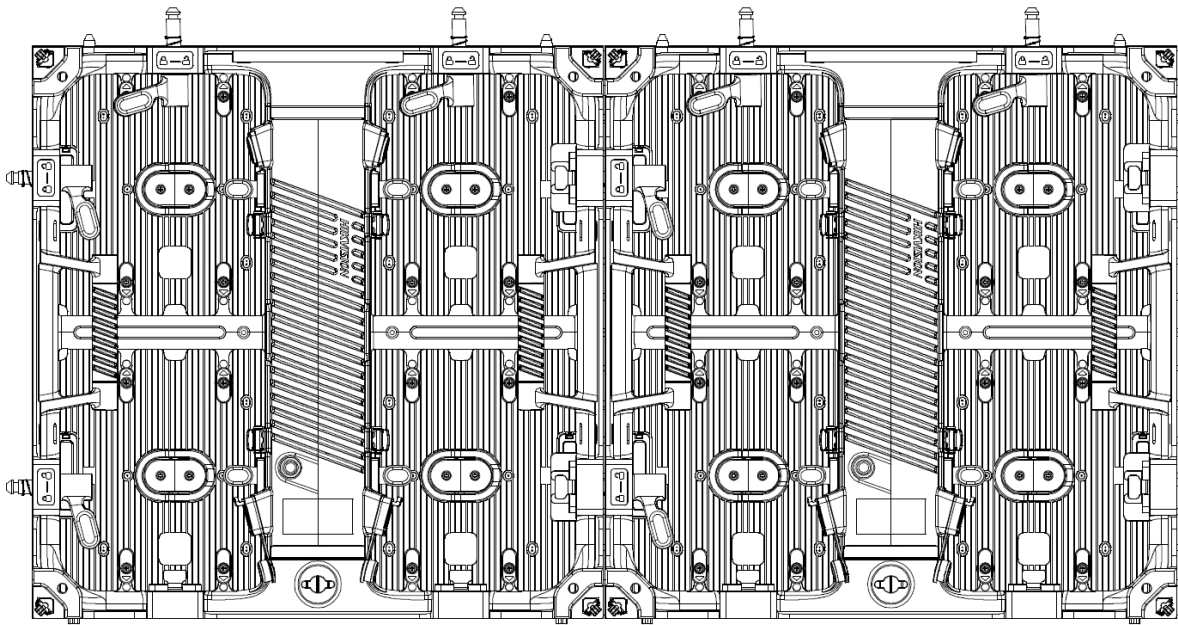


Figure 3-9 Cabinets Stitched

Step 4 (Optional) To unlock the adjacent cabinets, rotate the fast lock clockwise to the unlocked status and press the fast lock plates on the adjacent left cabinet frame to unlock the two cabinets.

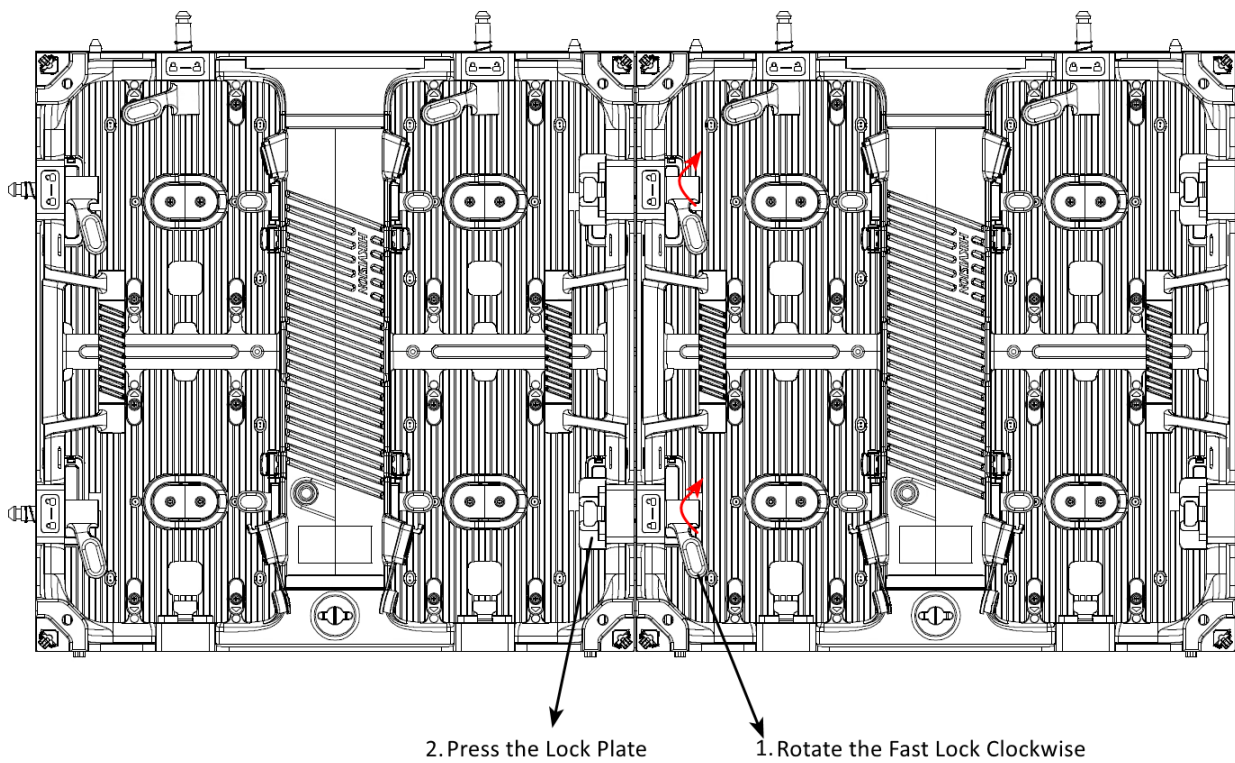
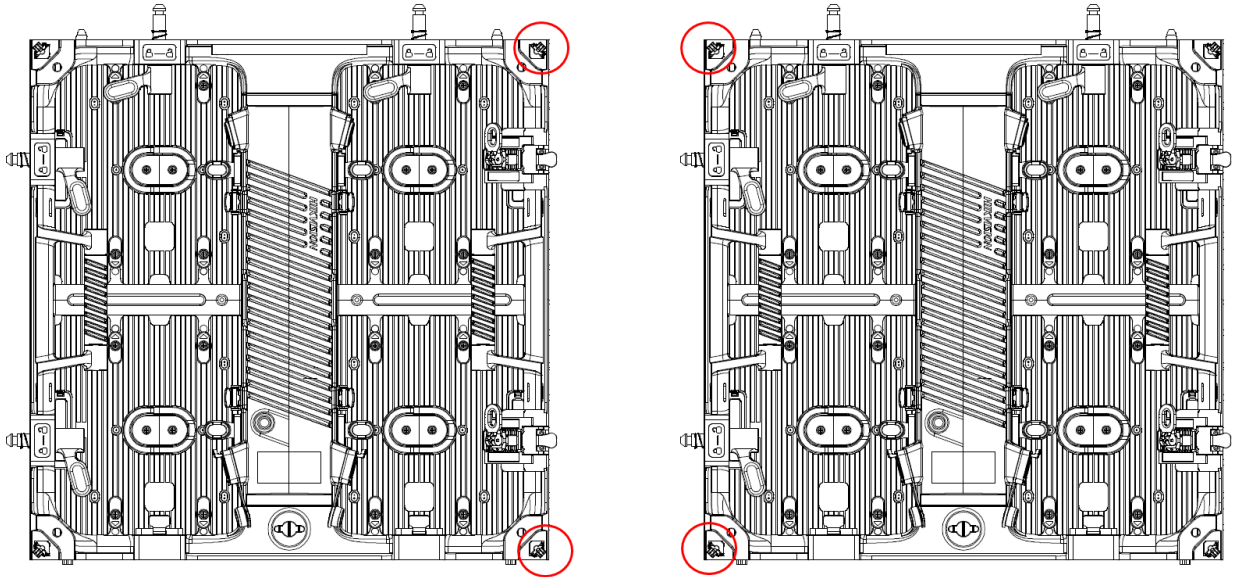


Figure 3-10 Unlock Adjacent Cabinets

Stitch Cabinet Frames Horizontally (with Curved Lock)

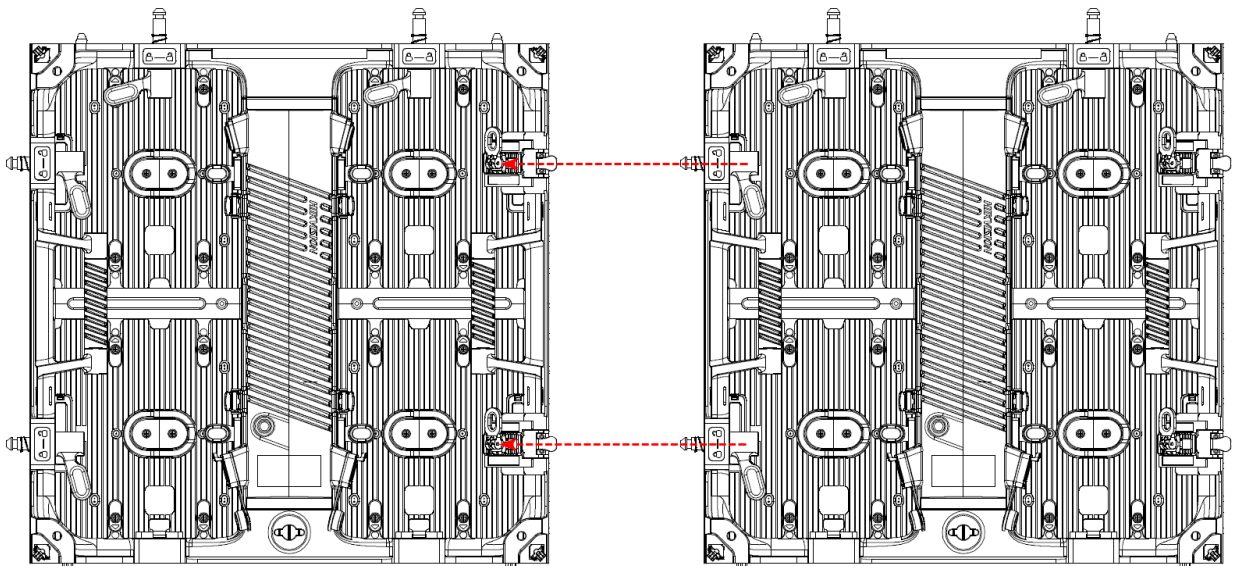
Step 1 Open the four corner protectors on the adjacent cabinet frames.



Open Corner Protectors

Figure 3-11 Open Corner Protectors

Step 2 Adjust the two curved locks on the left cabinet to the required splicing angle, and adjust the adjacent cabinet frames to be relatively level.



Adjust the Splicing Angle and
Align the Fast Locks with the Curved Lock Holes

Figure 3-12 Stitch Cabinets Horizontally

Step 3 Align the fast locks of the right cabinet with the curved lock holes of the left cabinet, and insert it counterclockwise to secure it tightly.

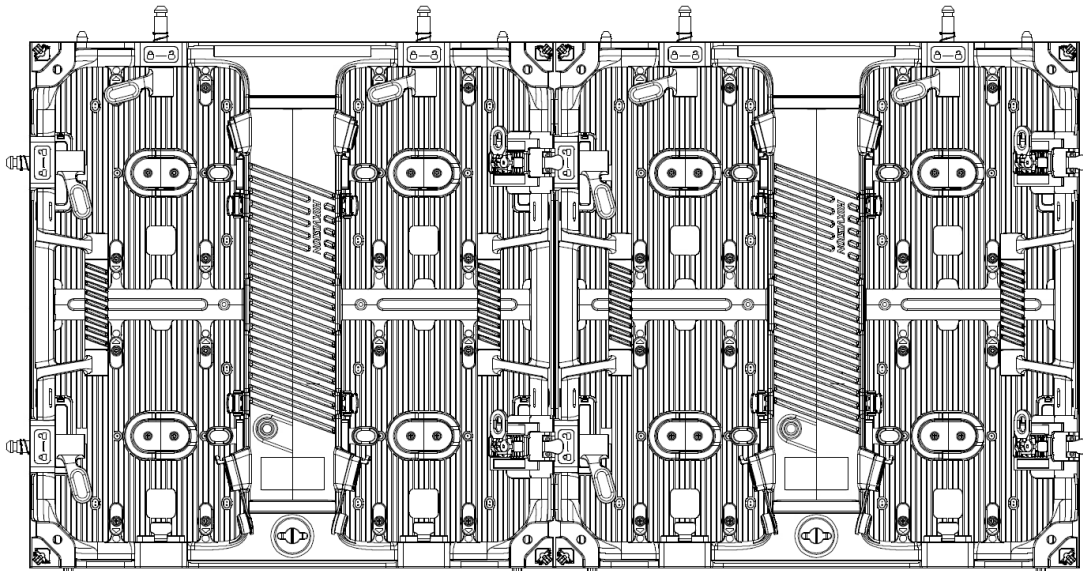


Figure 3-13 Cabinets Stitched

Step 4 (Optional) To unlock the adjacent cabinets, rotate the horizontal fast locks clockwise to the unlocked status and press the lock plates on the adjacent left cabinets to unlock the two cabinets. When unlocking, you can adjust the curved lock to a negative angle to facilitate separating the two cabinets.

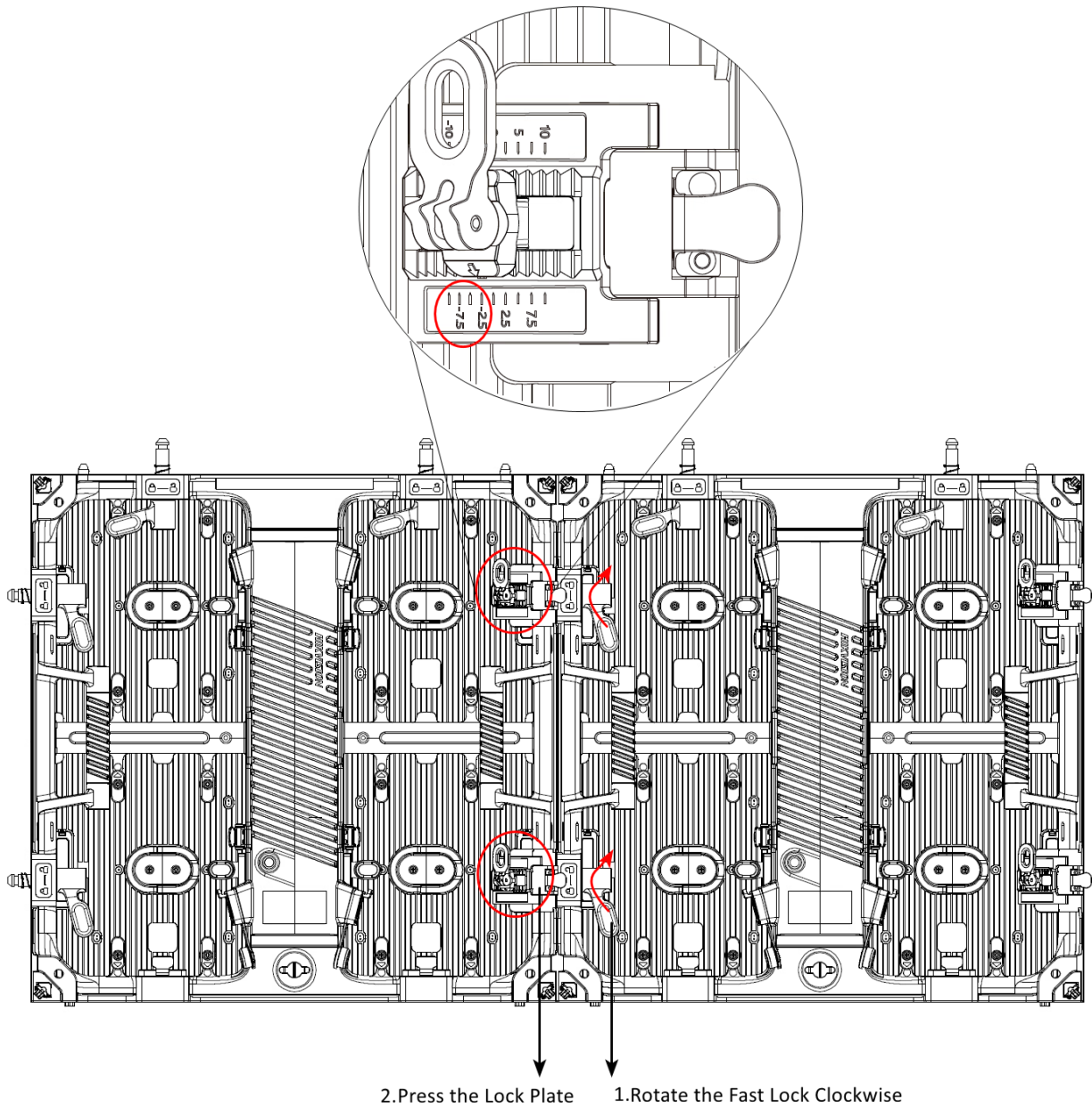
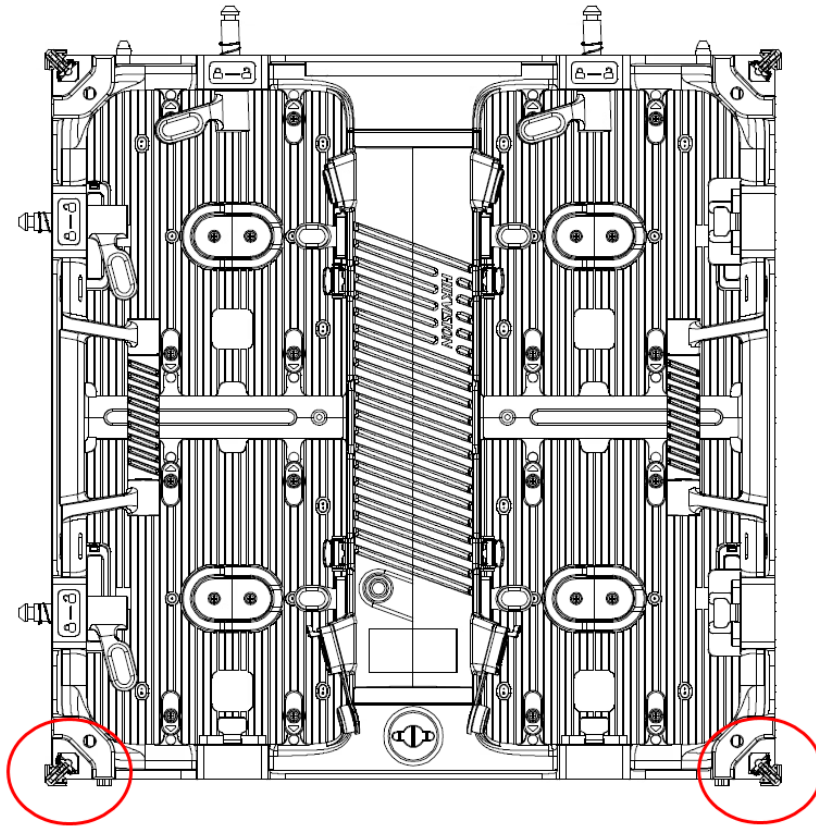


Figure 3-14 Unlock Adjacent Cabinets

3.3.3 Stitch Cabinet Frames Vertically

Stitch Cabinet Frames Vertically (with Standard Lock)

Step 1 Open the four corner protectors on the adjacent cabinet frames.



Open Corner Protectors

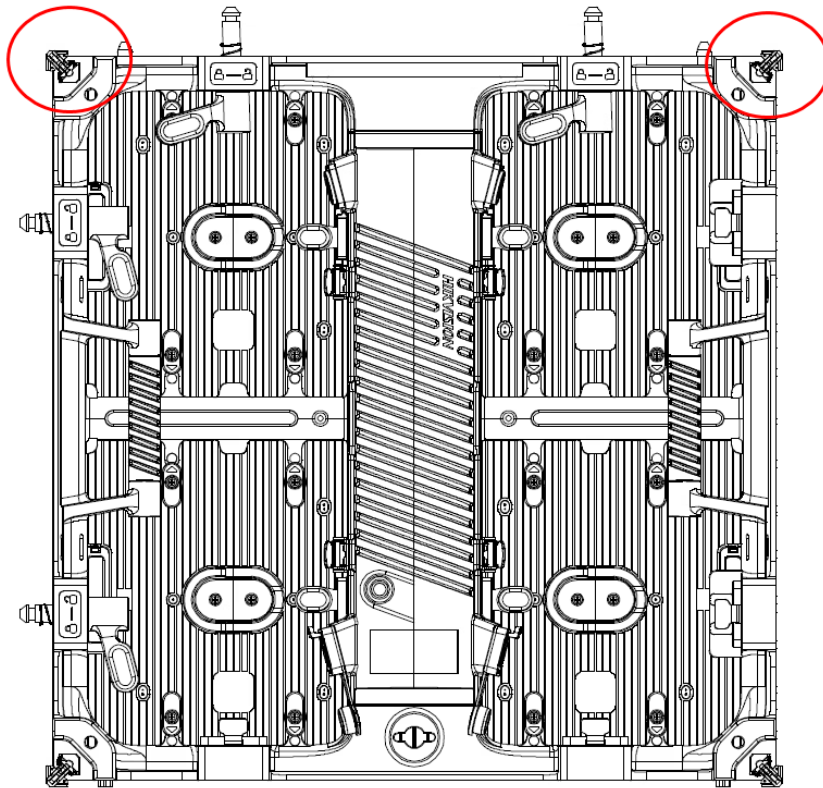
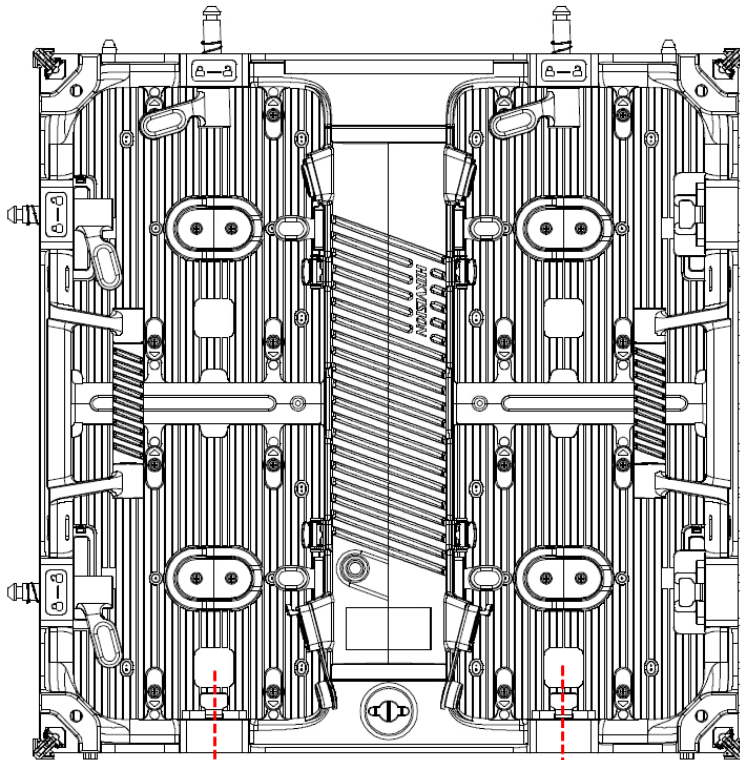


Figure 3-15 Open Corner Protectors

Step 2 Align the locks on the bottom of the upper cabinet with the vertical fast locks on the top of the lower cabinet, adjusting the two cabinet frames to be relatively vertical.



Align Vertical Lock Holes
with Fast Locks from Top to Bottom

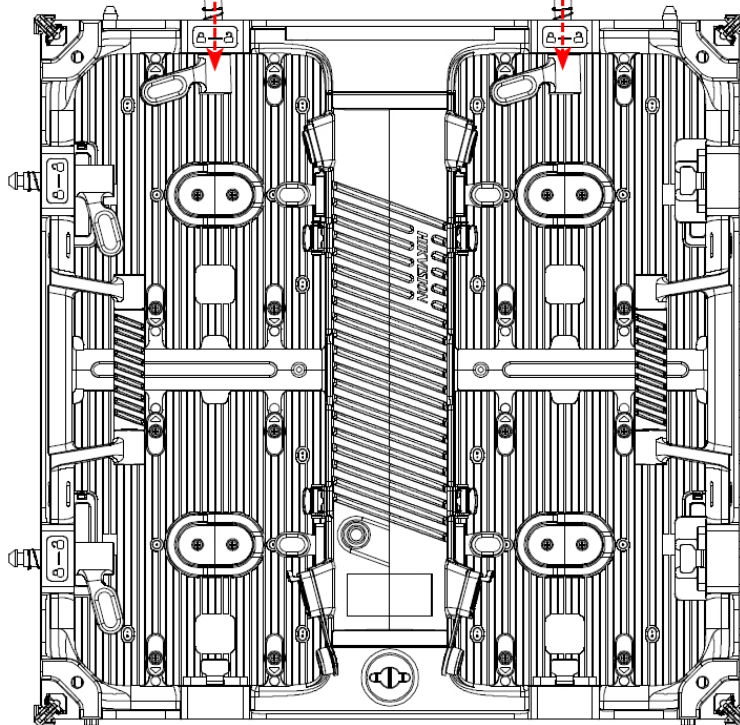


Figure 3-16 Stitch Cabinets Vertically

Step 3 Insert the fast locks on the top of the lower cabinet clockwise into the lock holes on the bottom of the upper cabinet to secure them tightly.

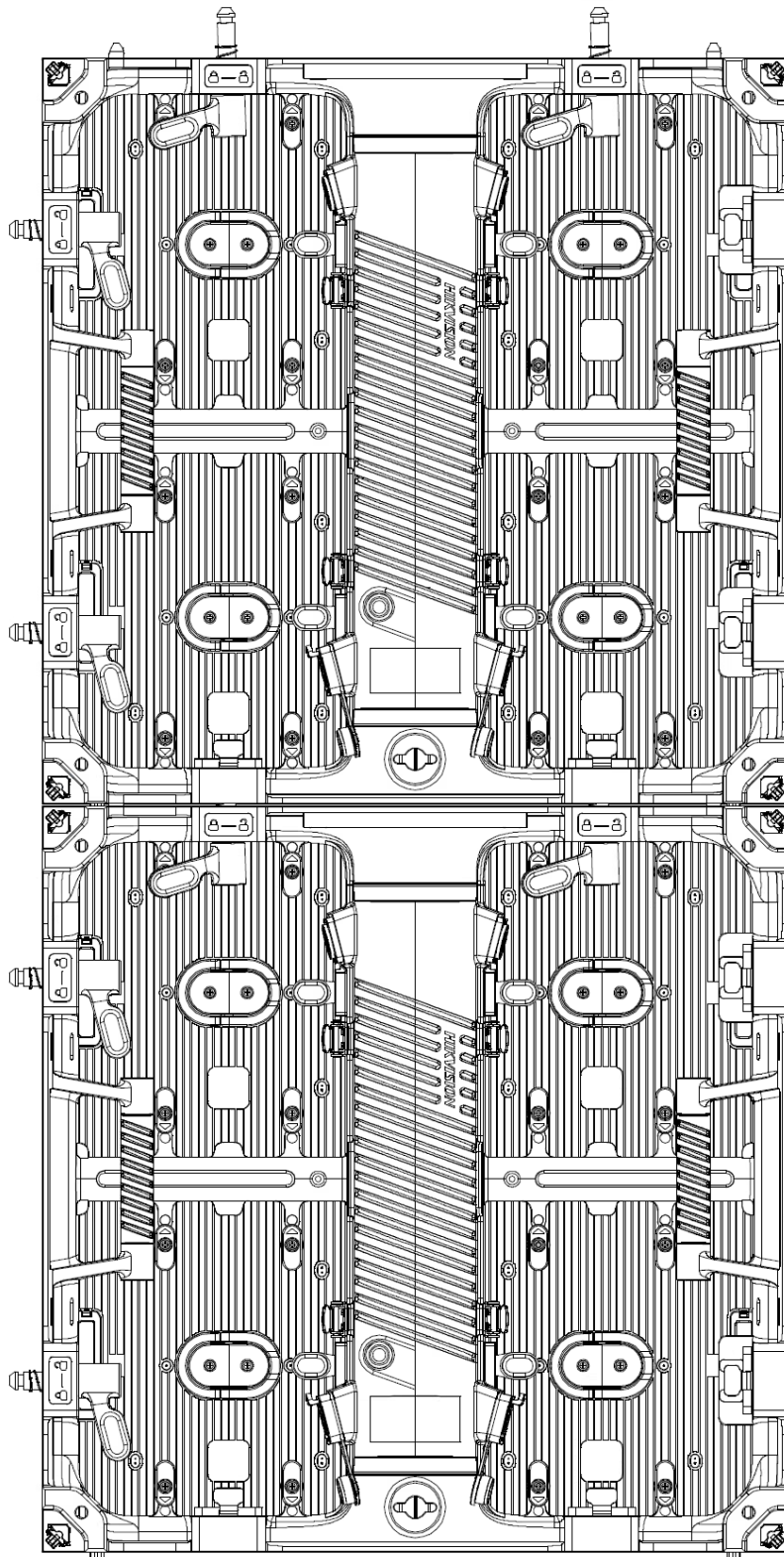


Figure 3-17 Cabinets Stitched

Step 4 (Optional) To unlock the adjacent cabinets, rotate the fast locks on the top of the lower cabinet counterclockwise to the unlocked status and press the lock plate on the bottom of the upper cabinet to unlock the cabinet frames.

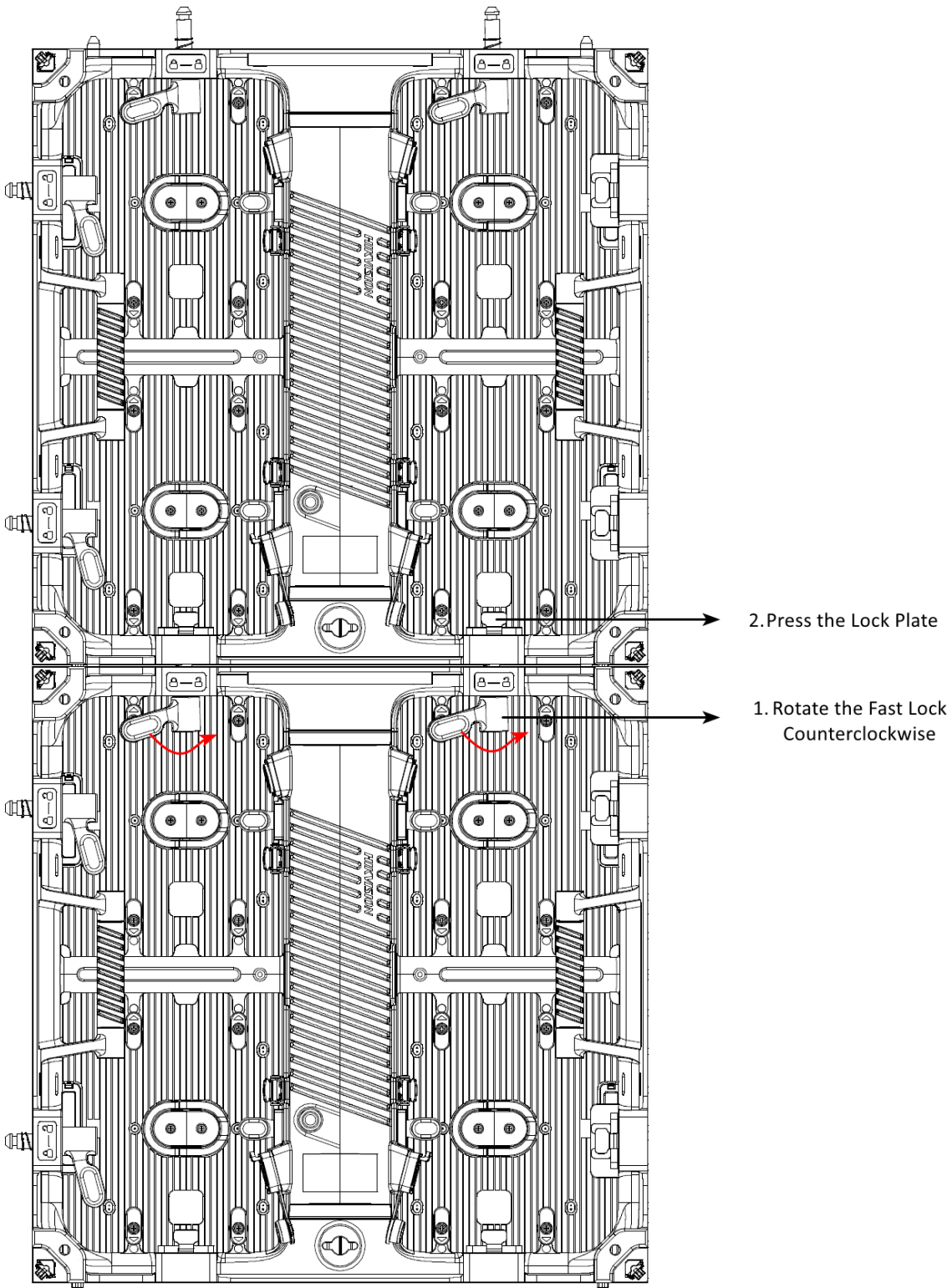


Figure 3-18 Unlock Adjacent Cabinets

Stitch Cabinet Frames Vertically (with Curved Lock)

Please refer to the installation steps of stitching cabinet frames vertically (with curved lock) for installation.

After the horizontal and vertical stitching, a LED display unit stitching is completed.

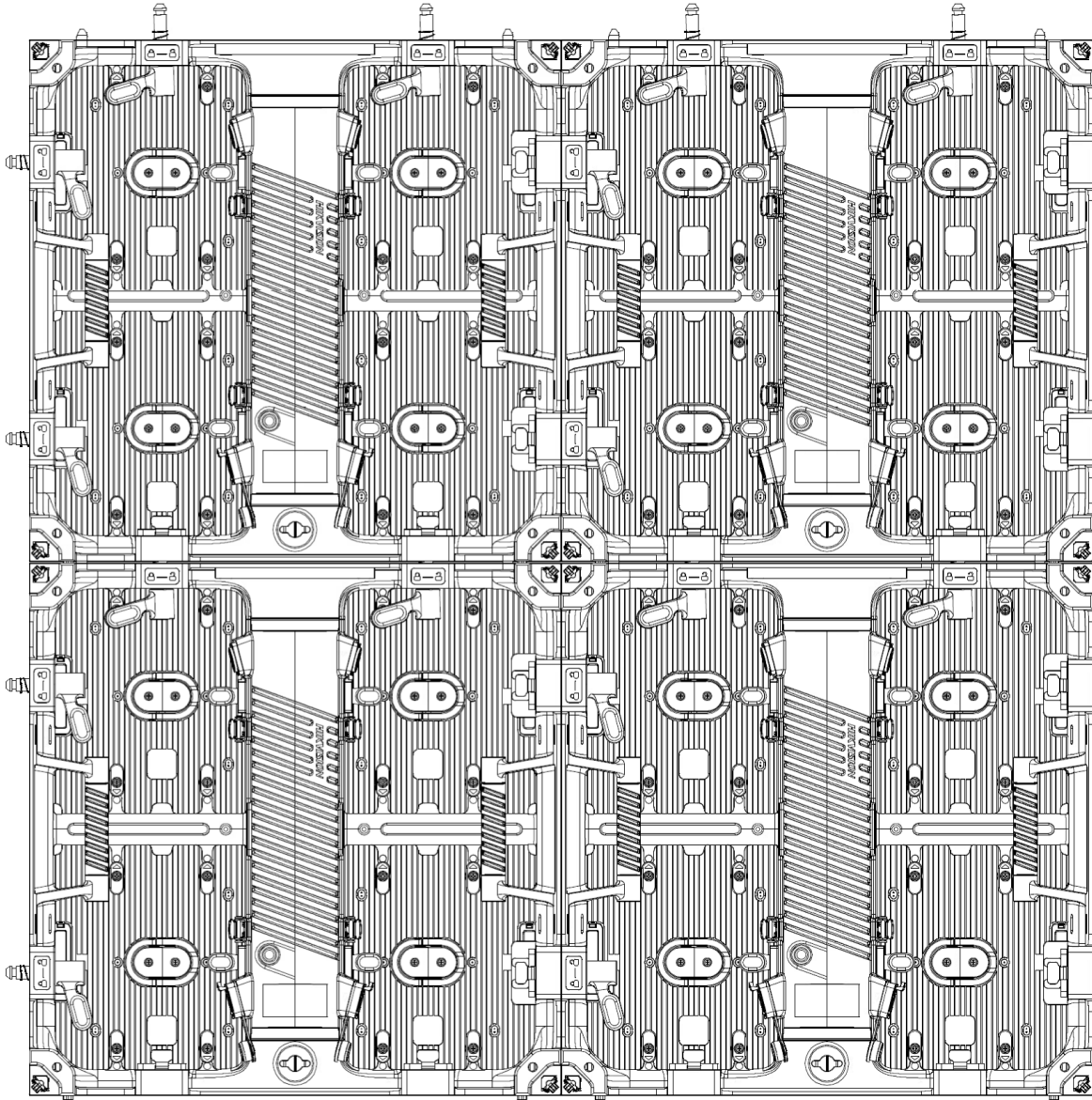


Figure 3-19 A LED Display Unit Stitched (2 × 2 Cabinets with Standard Lock)

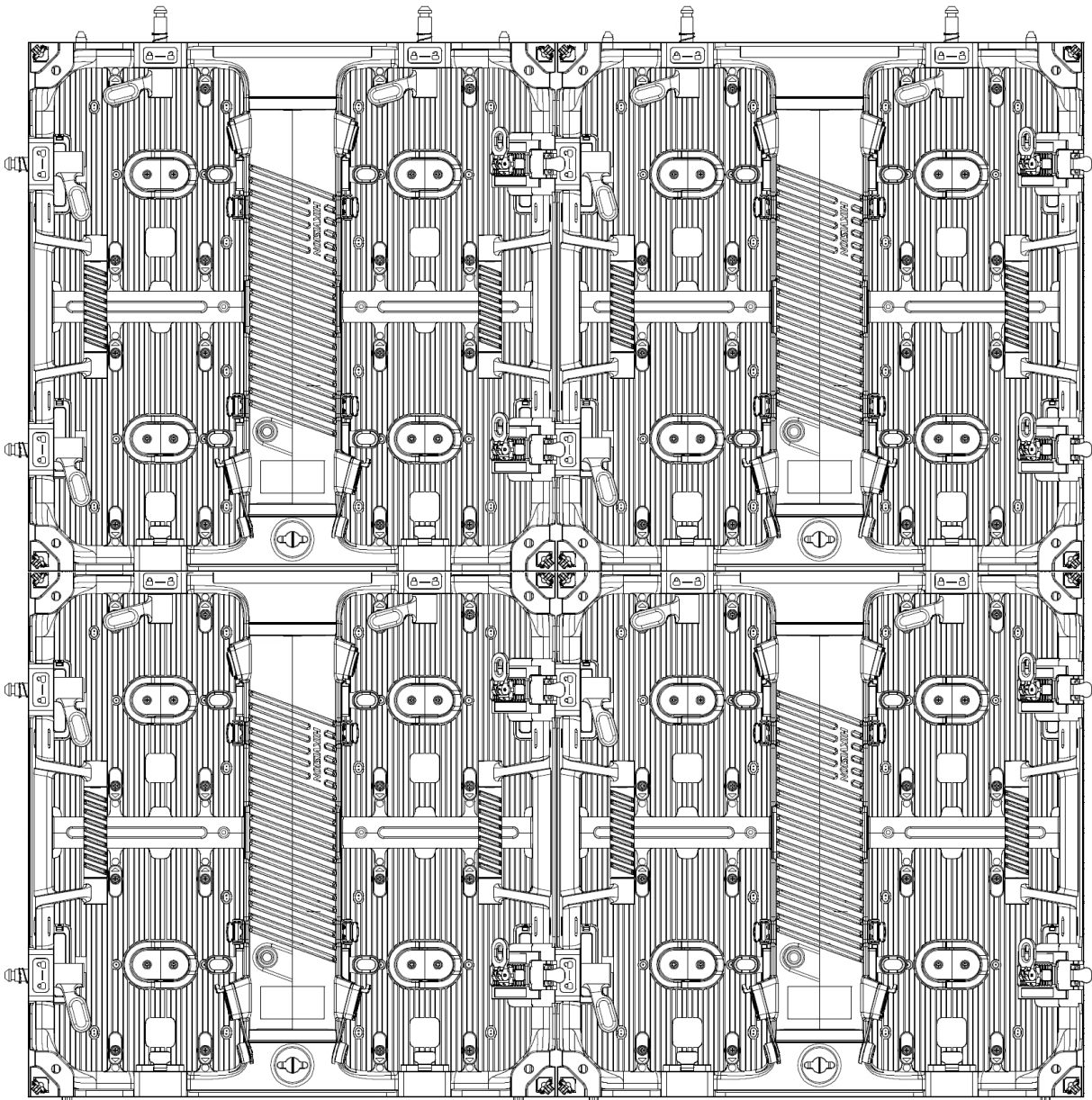


Figure 3-20 A LED Display Unit Stitched (2 × 2 Cabinets with Curved Lock)

Mixed Stitching of Different Cabinet Frames

Cabinets of varying specifications can be mixed and stitched together. Please calculate and select the specific stitching method based on the width and height of each cabinet.

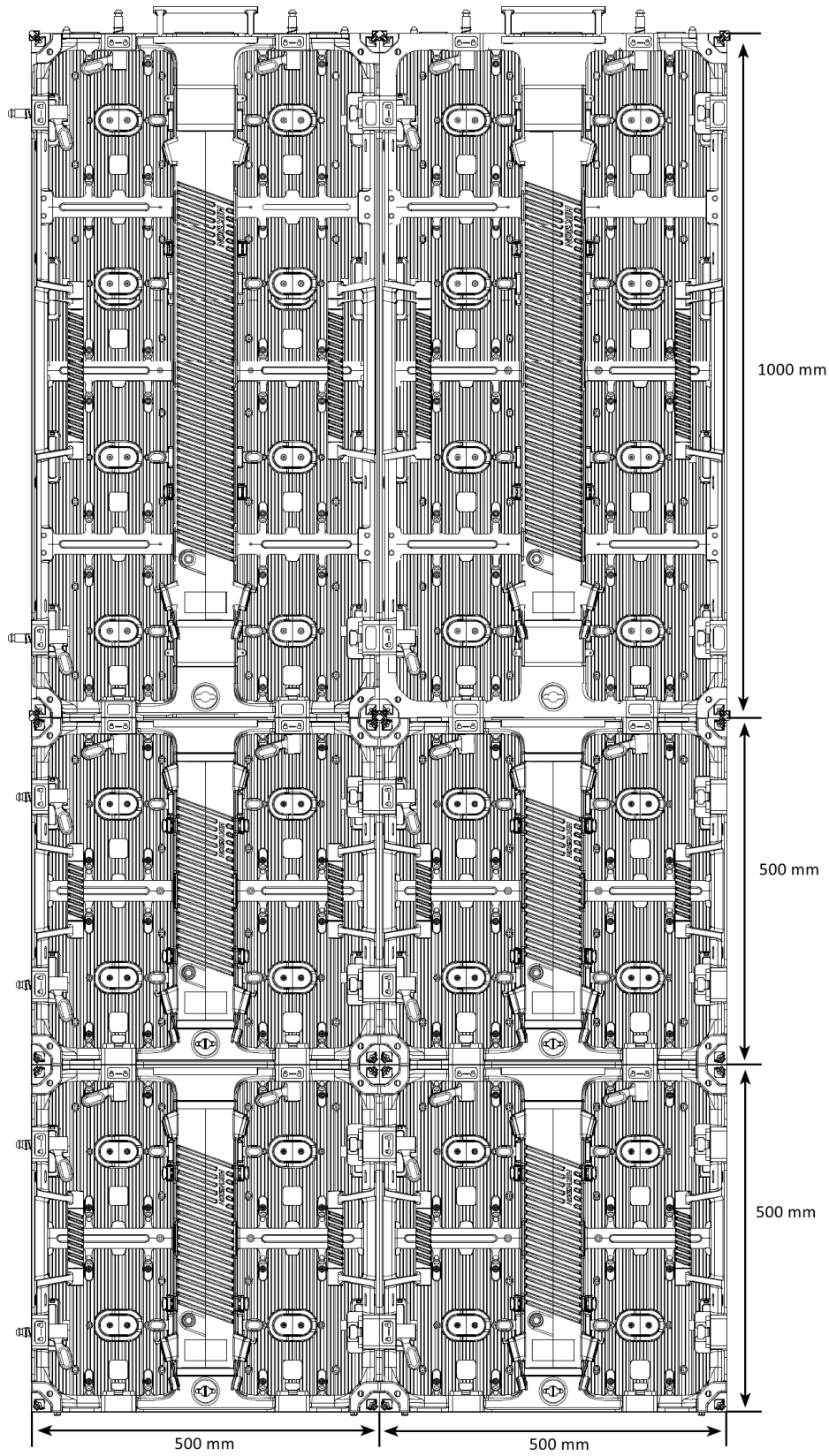


Figure 3-21 Mixed Stitching of Different Cabinets (With Standard Lock)

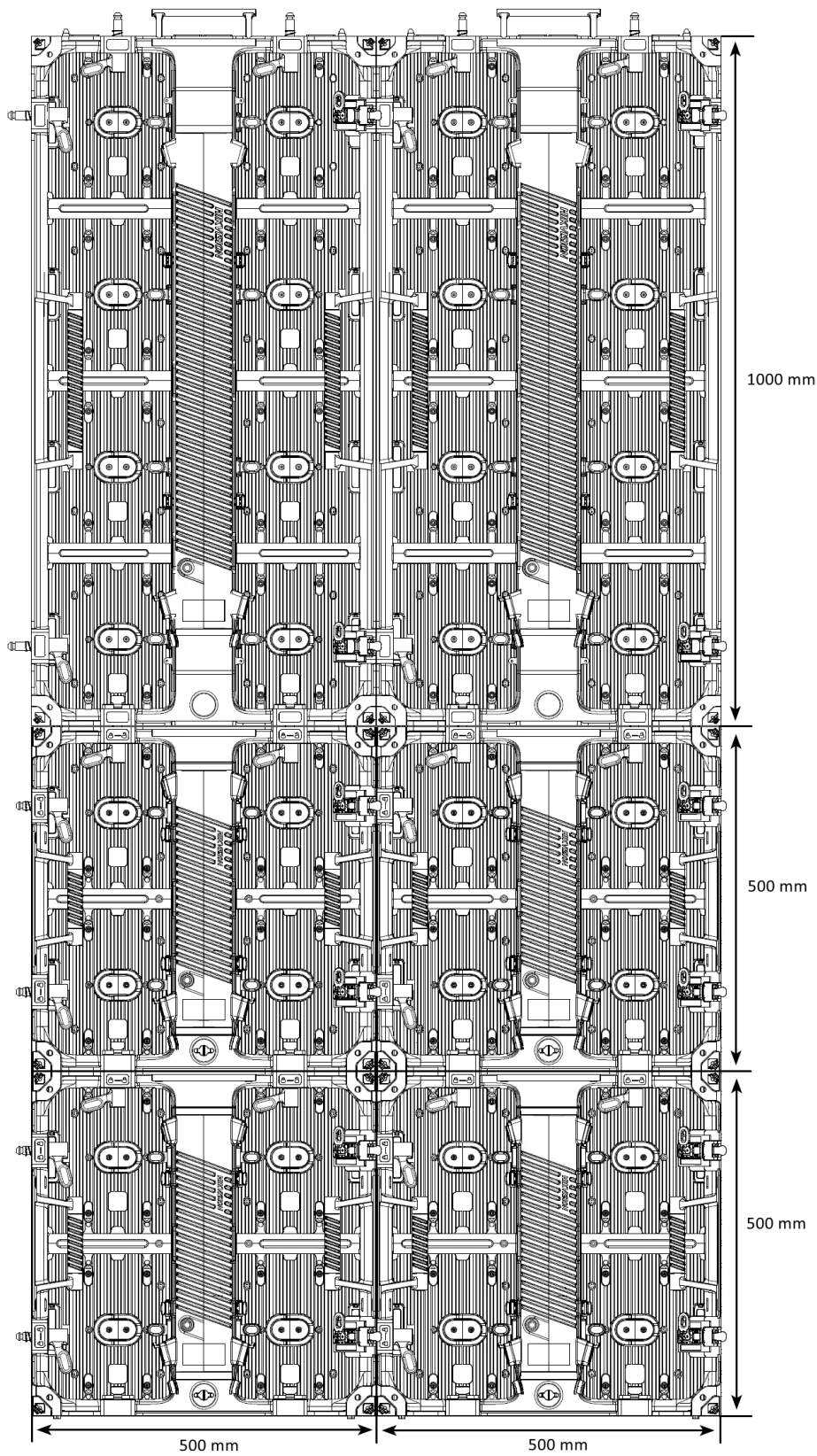


Figure 3-22 Mixed Stitching of Different Cabinets (With Curved Lock)

3.4 Connect Power Cord and Network Cable

3.4.1 Load Capability of Power Cords

The load capability of a single power cord is limited. You can calculate the max. load of a single power cord by the following formula.

$$\text{Max. Load of a Single Power cord} = \text{Power of the Cord} / \text{Power of the Cabinet}$$



Note

You can choose power cords and cabinets of different specifications, and calculate the load capability by the formula.

3.4.2 Load Capability of Network Interfaces

The load capability of a single network interface of the sending card is limited. You can calculate the max. load of a single network interface by the following formula.

$$\text{Max. Load of a Network Interface} = \text{Pixel Capacity of a Network Interface} / \text{Cabinet Resolution}$$

Example

If equipped with a sending card of 650,000 pixels, the max. load of a single network interface for a P1.2 cabinet of 480 × 270 resolution is 5 cabinets.



Note

- The load capability of a single network interface can be calculated by the following formula.
- If the 3D function is enabled or a 10-bit single network port is connected, the load capacity will drop.

$$\text{Max. Load of a Network Interface} = 125 \times 10^6 \times 94.8\% / A / B / \text{Cabinet Resolution}$$

A indicates the bit depth of the access image, such as access to an 8-bit image, A=3, access to an 10-bit image, A=4. B indicates the refresh rate of the signal source, such as access to a 60 Hz signal source, B=60, access to 3D image, B=120.

3.4.3 Connect the Power Cord between Cabinets

Each cabinet is equipped with a power input interface and a power output interface internally. The internal power cords can be connected in cascade in each row, and the external power cords are needed according to the load capacity of the external power cords.

Due to the various dimensions and pixels of the cabinets, as well as different voltage input, the max. load of a power cord may vary. Please refer to the table below for the max. load of the power cord.

Table 3-2 Max. Load of A Power Cord

Cabinet Dimensions (W × H × D)	Pixel Pitch	Input Power Voltage	Max. Load
500 mm × 500 mm × 69 mm	P2.6	220 V, 50 Hz	24
		90 V, 60 Hz	10
	P2.9	220 V, 50 Hz	26
		90 V, 60 Hz	11
	P3.9	220 V, 50 Hz	25
		90 V, 60 Hz	10
500 mm × 1000 mm × 69 mm	P2.9	220 V, 50 Hz	13
		90 V, 60 Hz	5
	P3.9	220 V, 50 Hz	12
		90 V, 60 Hz	5

Before You Start

Before connecting the power cords, ensure that the device is powered off.

Step 1 Connect the external power supply to the power input interface of the first cabinet in each row.

Step 2 For 500 mm × 500 mm cabinets, use a 750 mm cascading power cord to connect the power output interface of each cabinet to the power input interface of the adjacent cabinet. For 500 mm × 1000 mm cabinets, use a 1400 mm cascading power cord to connect the power output interface of each cabinet to the power input interface of the adjacent cabinet.

Step 3 If the number of cabinets actually connected exceeds the maximum load capacity of the power cord, the power input interfaces of the cabinets exceeding the maximum load capacity in each row can be connected to an external power supply.

The figure below takes 6 rows × 5 columns of P3.9 cabinets (500 mm × 500 mm) for example, when the power supply voltage is 220 V, the max. load of a power cord is 25 cabinets. The remaining 1 row × 5 columns of cabinets exceed the maximum capacity of the power cord and require an additional power cord.

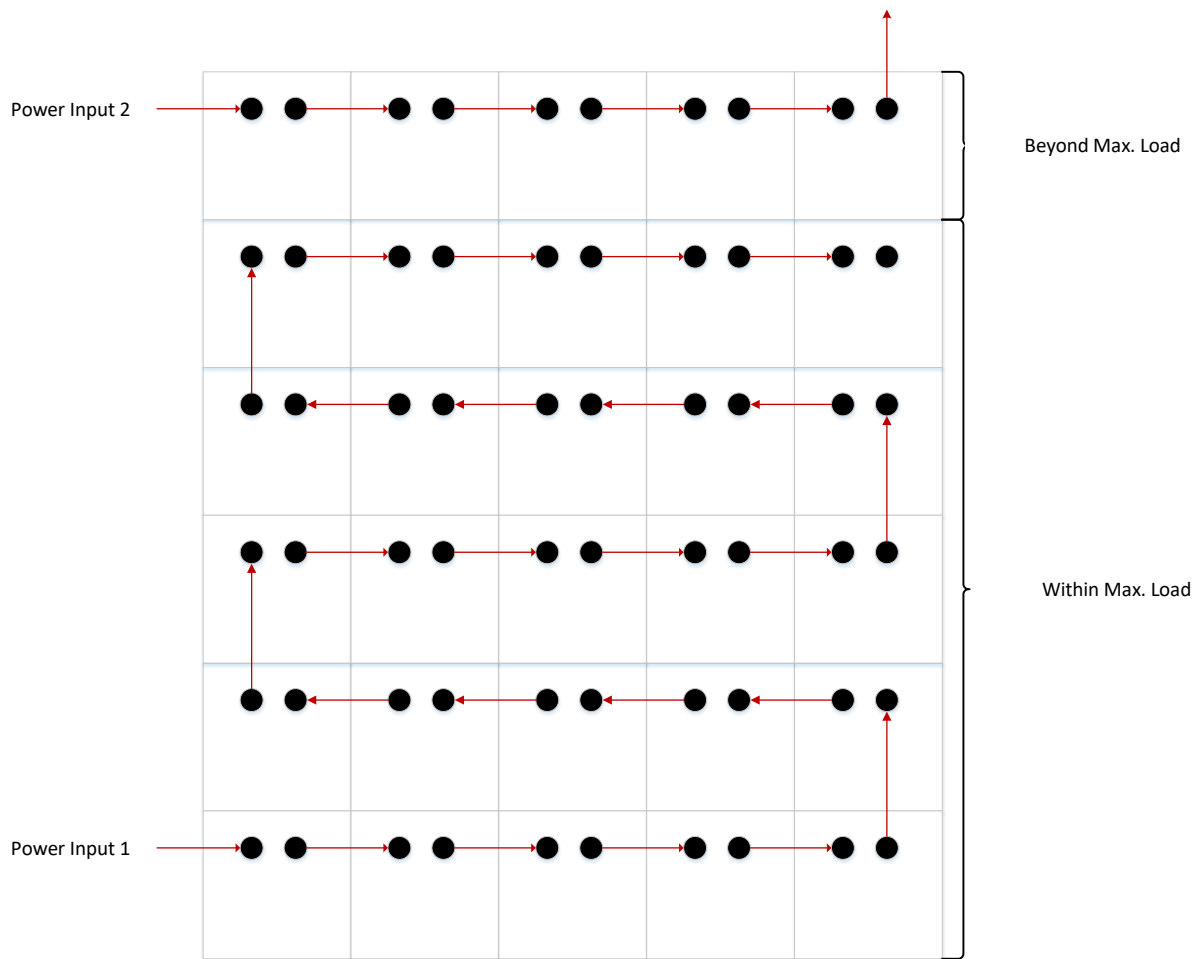


Figure 3-23 Power Cords Connection Between Cabinets

3.4.4 Connect the Network Cable between Cabinets

Each cabinet is equipped with a network input interface and a network output interface internally. The internal network cables can be connected in cascade in each row, and the external network cables for sending card connections are needed according to the load capacity of the network interfaces of the sending card.

Please refer to the table below for the max. load of the network interface of the sending card.

Table 3-3 Max. Load of Network Interface of the Sending Card

Cabinet Dimensions (W × H × D)	Pixel Pitch	Cabinet Resolution	Max. Load
500 mm × 500 mm × 69 mm	P2.6	192 × 192	17
	P2.9	168 × 168	23
	P3.9	128 × 128	39
500 mm × 1000 mm × 69 mm	P2.9	168 × 336	11
	P3.9	128 × 256	19

Before You Start

Before connecting the network cables, ensure that the device is powered off.

Step 1 Connect the network interface of the first cabinet in each row to the network interface of the sending card.

Step 2 For 500 mm × 500 mm cabinets, use a 700 mm cascading network cable to connect the signal output interface of each cabinet to the signal input interface of the adjacent cabinet. For 500 mm × 1000 mm cabinets, use a 1200 mm cascading network cable to connect the signal output interface of each cabinet to the signal input interface of the adjacent cabinet.

Step 3 If the number of cabinets actually connected exceeds the maximum load capacity of the network cable, an additional network cable can be used to connect the signal input interfaces of the cabinets exceeding the maximum load capacity in each row to other network ports on the sender card.

The figure below takes 5 rows × 4 columns of P2.6 cabinets (500 mm × 500 mm) for example, the cabinet resolution is 192 × 192, the max. load of a network interface of the sending card is 17 cabinets. The remaining 3 cabinets requires an additional network cable to connect to another network interface of the sending card.

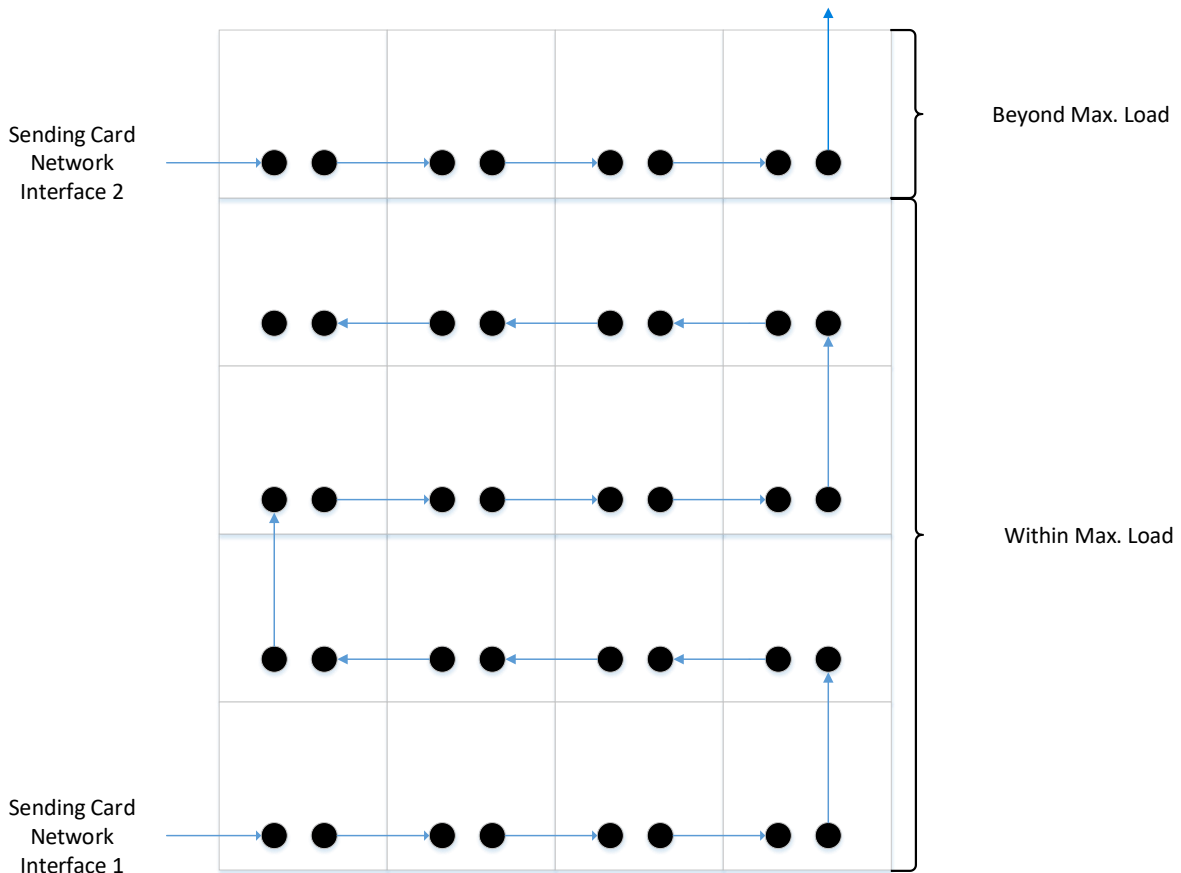


Figure 3-24 Network Cables Connection Between Cabinets

3.5 Maintain the Cabinet

3.5.1 Maintain the Module

You can maintain the module from the front or the rear side.

Before You Start

Switch off the external power supply before you maintain the module.

Front Maintenance

Step 1 Place the LED vacuum pump onto the surface of the module to be maintained.

Step 2 Turn on the switch. Press and hold the suction button on the tool for 5 seconds.

Step 3 Gently pull the module to remove it.

Step 4 Replace the module with a new one and assemble the module back.

Rear Maintenance

Step 5 Rotate the four knobs on the back cover of the module to ensure that they do not interfere with the connecting components on the cabinet frame when removing the module.

Rotate the Knob

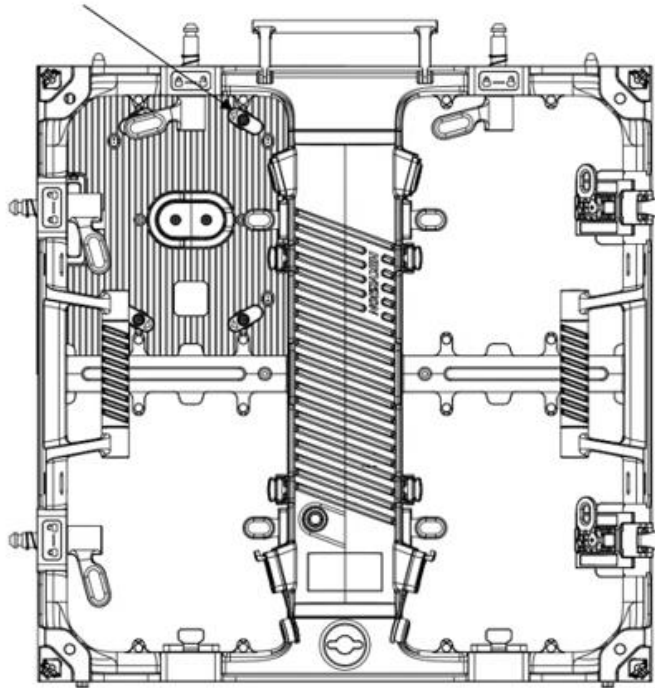


Figure 3-25 Rotate the Knob

Step 6 Use one finger to grip the handle and another finger to press the eject button on the cabinet, and push the module forward.

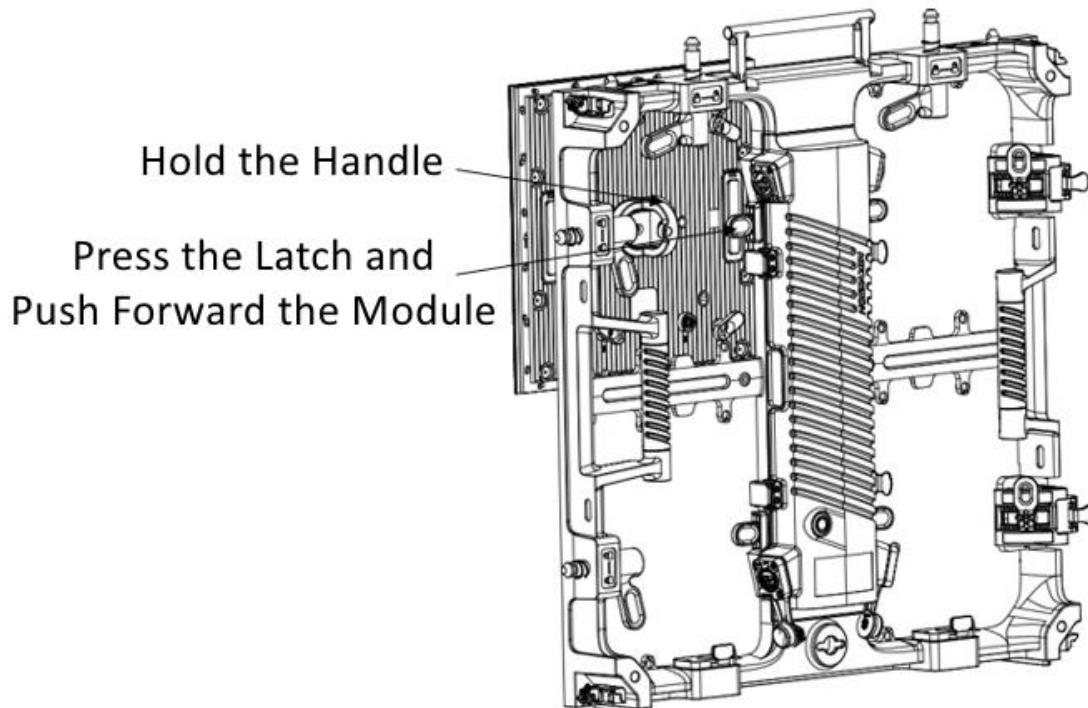


Figure 3-26 Push Forward the Module

Step 7 Rotate the module until its side can pass through the diagonal of the cabinet frame, and then remove the module.

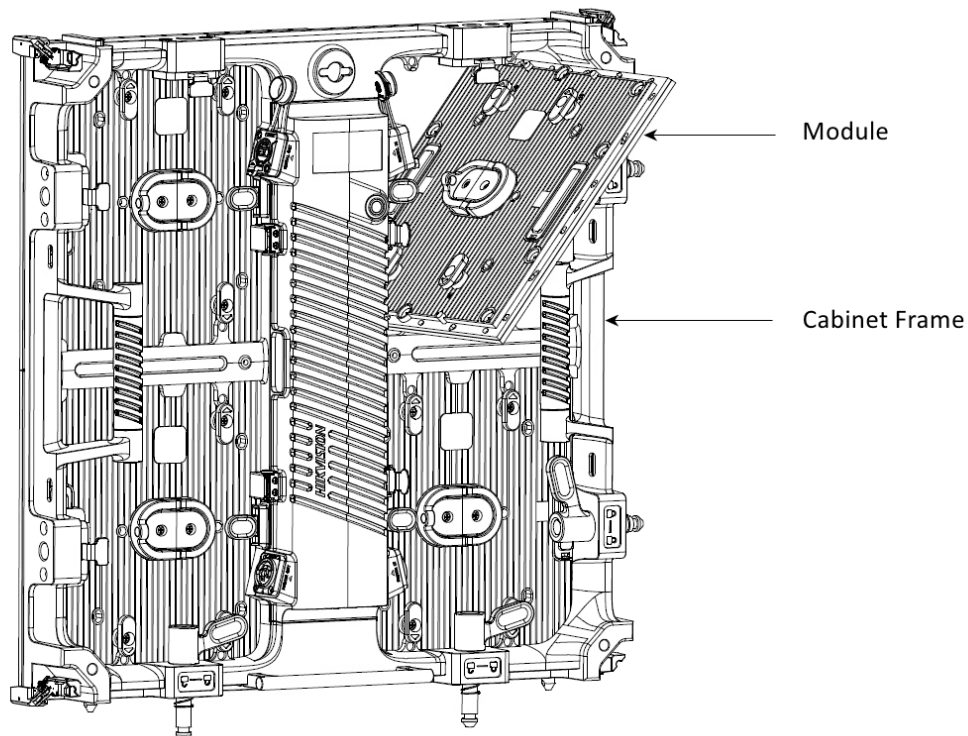


Figure 3-27 Remove the Module

Step 8 Replace the module with a new one and reinstall it.

- Align the side of the module with the diagonal of the cabinet frame and rotate the module to the correct installation position.
- Install the module slowly towards the back.
- Rotate the four knobs on the back cover of the module to secure it to the cabinet frame.
- Release the four latches around the power supply box.

3.5.2 Maintain the Power Supply

You can maintain the power supply from the rear side.

Before You Start

Switch off the external power supply before you maintain the power supply.

Step 1 Release the four buckles around the power supply box.

Step 2 Remove the entire power supply box.

Step 3 Replace the power supply box.

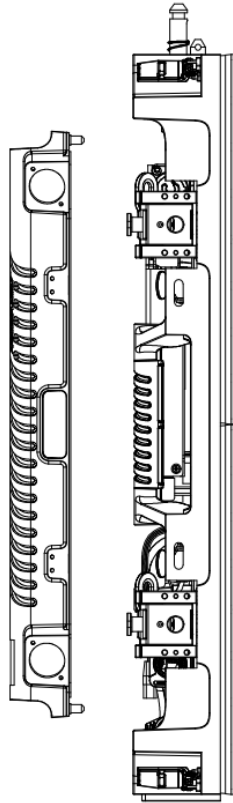


Figure 3-28 Remove the Power Supply Box

3.5.3 Maintain the Receiving Card

You can maintain the receiving card from the rear side.

Before You Start

Switch off the external power supply before you maintain the receiving card.

Step 1 Release the four buckles around the power supply box.

Step 2 Remove the power supply box and use a screwdriver to loosen the screws on the receiving card. Disassemble the receiving card.

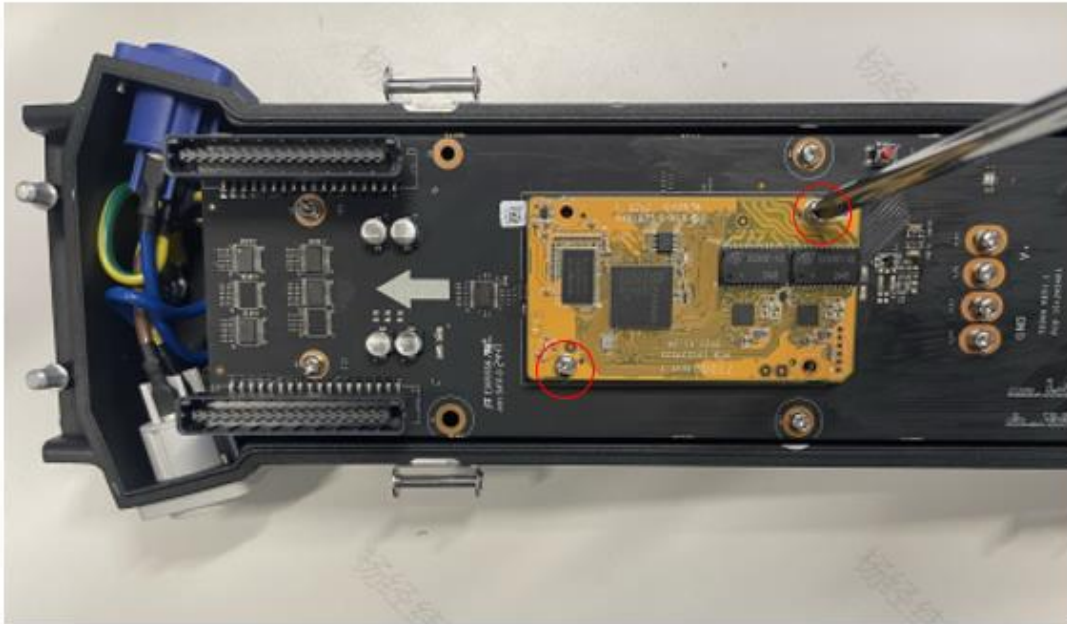


Figure 3-29 Remove the Receiving Card

Step 3 Install a new receiving card on the hub board, ensuring that the installation direction of the receiving card should correspond to the arrow direction on the hub board.

Step 4 Fasten the receiving card.

3.5.4 Maintain the Hub Board

You can maintain the hub board from the rear side.

Before You Start

Switch off the external power supply before you maintain the hub board.

Step 1 Release the four buckles around the power supply box.

Step 2 Remove the power supply box and use a screwdriver to loosen all the screws on the hub board and the receiving card.

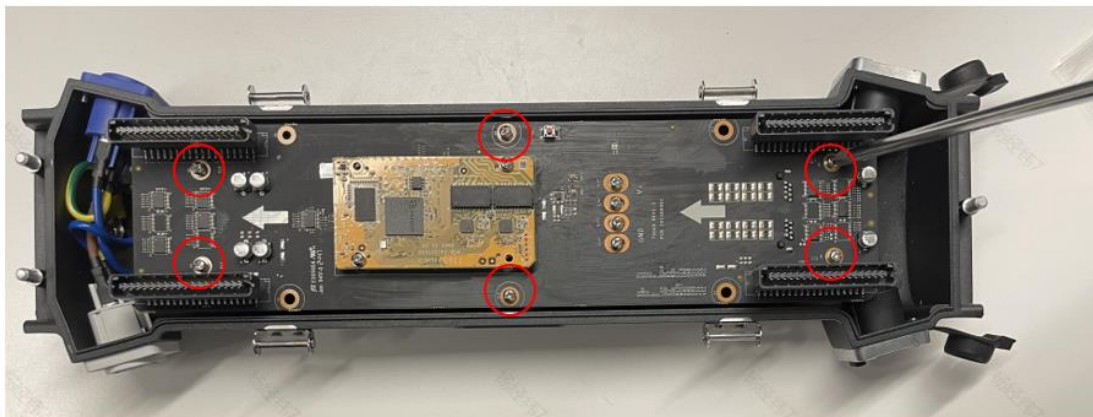


Figure 3-30 Remove the Hub Board

Step 3 Replace the hub board and reinstall it. Pay attention to the installation direction.

Step 4 Reinstall the receiving card and tighten the screws to secure it.

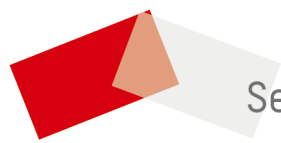
Step 5 Reinstall the power supply box.

Chapter 4 Software Debugging

The device supports configuration on the client of LED display unit. For more details about the installation and configuration process, scan the QR code to get the installation guide.



Figure 4-1 QR Code of the User Manual of LED Batch Controller



See Far, Go Further