



7-inch Indoor Station

Quick Start Guide

UD39557B-A

Quick Flow Chart

1



2



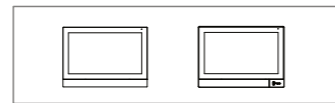
3



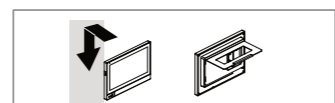
4



Wiring and Terminal



Appearance



Installation

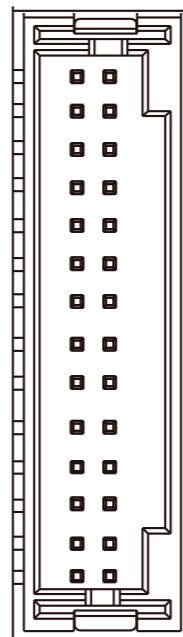


Activation and Quick Configuration

1 Wiring and Terminal

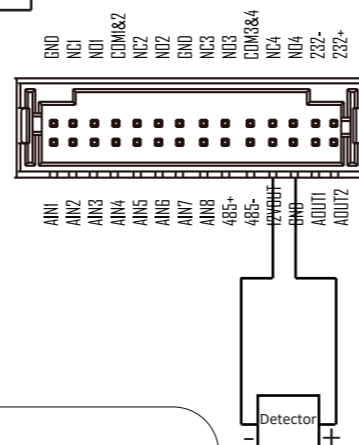
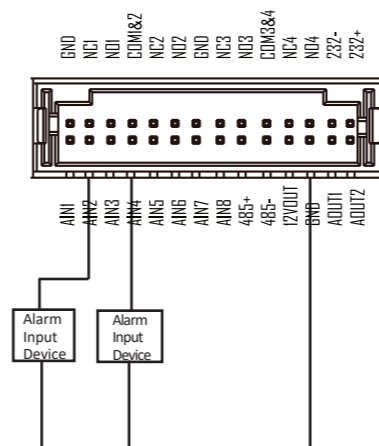


AIN1
AIN2
AIN3
AIN4
AIN5
AIN6
AIN7
AIN8
485+
485-
12VOUT
GND
ADUT1
ADUT2



Alarm Input Terminal

GND
NC1
NO1
COM1&2
NC2
NO2
GND
NC3
NO3
COM3&4
NC4
NO4
232-
232+

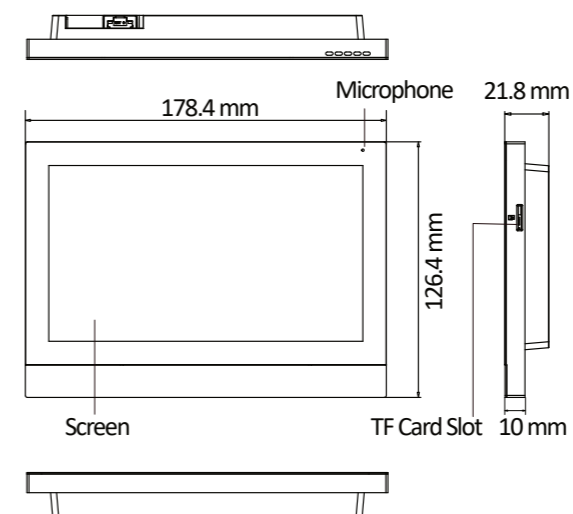


- Do not wire the device to the 220V electric supply directly.
- The indoor station supports 12V DC power supply or private PoE power supply. After connecting to private PoE cable, there is no need to connect other power cord. If the cable connected is not private PoE cable, you need to connect power cord to the device for power supply.
- The device only supports connecting to detector when powered by private PoE cable. The device supports 12V, 200mA (maximum 500mA) power supply for the detector.

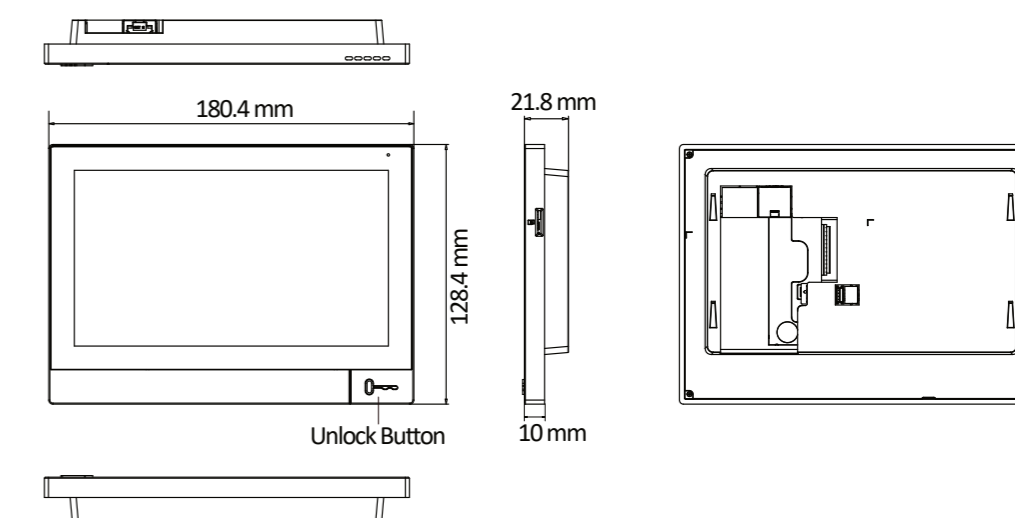
2 Appearance



Plastic Model



Metal Model



- Different models may have different ports, please refer to the specific device.
- Some models don't have unlock button, please refer to the specific device.
- Only some models support Wi-Fi, please refer to the actual product.
- If a power adapter is provided in the device package, use the provided adapter only. If no power adapter is provided, ensure the power adapter or other power supply complies with Limited Power Source. Refer to the product label for the power supply output parameters.

Alarm Interface

AIN1	GND
AIN2	NC1
AIN3	NO1
AIN4	COM1&2
AIN5	NC2
AIN6	NO2
AIN7	GND
AIN8	NC3
485+	NO3
485-	COM3&4
12VOUT	NC4
GND	NO4
ADUT1	232-
ADUT2	232+

About this Document

- This Document includes instructions for using and managing the Product. Pictures, charts, images and all other information hereinafter are for description and explanation only.
- Any part of the Document, including text, pictures, graphics, etc., belongs to Hikvision. No part of this Document may be excerpted, copied, translated, or modified in whole or in part by any means without written permission.
- HIKVISION and other Hikvision's trademarks and logos are the properties of Hikvision in various jurisdictions.
- Other trademarks and logos mentioned are the properties of their respective owners.

About this Product

This product can only enjoy the after-sales service support in the country or region where the purchase is made.

Acknowledgment of Intellectual Property Rights

- Hikvision owns the copyrights and/or patents related to the technology embodied in the Products described in this Document, which may include licenses obtained from third parties.
- Any part of the Document, including text, pictures, graphics, etc., belongs to Hikvision. No part of this Document may be excerpted, copied, translated, or modified in whole or in part by any means without written permission.
- HIKVISION and other Hikvision's trademarks and logos are the properties of Hikvision in various jurisdictions.
- Other trademarks and logos mentioned are the properties of their respective owners.

LEGAL DISCLAIMER

TO THE MAXIMUM EXTENT PERMITTED BY APPLICABLE LAW, THIS DOCUMENT AND THE PRODUCT DESCRIBED, WITH ITS HARDWARE, SOFTWARE AND FIRMWARE, ARE PROVIDED "AS IS" AND "WITH ALL FAULTS AND ERRORS". HIKVISION MAKES NO WARRANTIES, EXPRESS OR IMPLIED, INCLUDING WITHOUT LIMITATION, MERCHANTABILITY, SATISFACTORY QUALITY, OR FITNESS FOR A PARTICULAR PURPOSE. THE USE OF THE PRODUCT BY YOU IS AT YOUR OWN RISK. IN NO EVENT WILL HIKVISION BE LIABLE TO YOU FOR ANY SPECIAL, CONSEQUENTIAL, INCIDENTAL, OR INDIRECT DAMAGES, INCLUDING, AMONG OTHERS, DAMAGES FOR LOSS OF BUSINESS PROFITS, BUSINESS INTERRUPTION, OR LOSS OF DATA, CORRUPTION OF SYSTEMS, OR LOSS OF DOCUMENTATION, WHETHER BASED ON BREACH OF CONTRACT, TORT (INCLUDING NEGLIGENCE), PRODUCT LIABILITY, OR OTHERWISE, IN CONNECTION WITH THE USE OF THE PRODUCT, EVEN IF HIKVISION HAS BEEN ADVISED OF THE POSSIBILITY OF SUCH DAMAGES OR LOSS.

YOU ACKNOWLEDGE THAT THE NATURE OF THE INTERNET PROVIDES FOR INHERENT SECURITY RISKS, AND HIKVISION SHALL NOT TAKE ANY RESPONSIBILITIES FOR ABNORMAL OPERATION, PRIVACY LEAKAGE OR OTHER DAMAGES RESULTING FROM CYBER-ATTACK, HACKER ATTACK, VIRUS INFECTION, OR OTHER INTERNET SECURITY RISKS; HOWEVER, HIKVISION WILL PROVIDE TIMELY TECHNICAL SUPPORT IF REQUIRED.

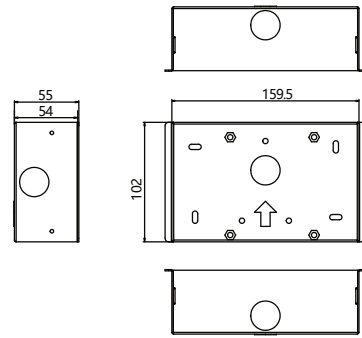
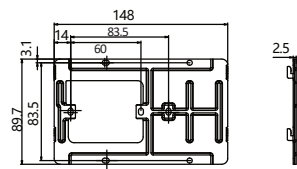
YOU AGREE TO USE THIS PRODUCT IN COMPLIANCE WITH ALL APPLICABLE LAWS, AND YOU ARE SOLELY RESPONSIBLE FOR ENSURING THAT YOUR USE CONFORMS TO THE APPLICABLE LAW. ESPECIALLY, YOU ARE RESPONSIBLE, FOR USING THIS PRODUCT IN A MANNER THAT DOES NOT INFRINGE ON THE RIGHTS OF THIRD PARTIES, INCLUDING WITHOUT LIMITATION, RIGHTS OF PUBLICITY, INTELLECTUAL PROPERTY RIGHTS, OR DATA PROTECTION AND OTHER PRIVACY RIGHTS. YOU SHALL NOT USE THIS PRODUCT FOR ANY PROHIBITED END-USES, INCLUDING THE DEVELOPMENT OR PRODUCTION OF WEAPONS OF MASS DESTRUCTION, THE DEVELOPMENT OR PRODUCTION OF CHEMICAL OR BIOLOGICAL WEAPONS, ANY ACTIVITIES IN THE CONTEXT RELATED TO ANY NUCLEAR EXPLOSIVE OR UNSAFE NUCLEAR FUEL-CYCLE, OR IN SUPPORT OF HUMAN RIGHTS ABUSES.

IN THE EVENT OF ANY CONFLICTS BETWEEN THIS DOCUMENT AND THE APPLICABLE LAW, THE LATTER PREVAILS.

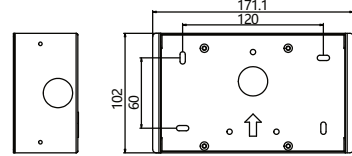
2 Appearance



Mounting Plate

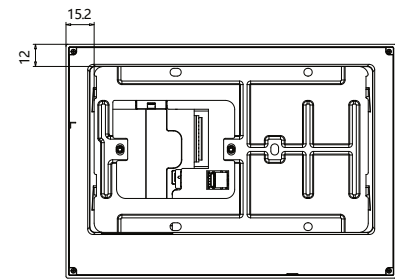


Installation Frame

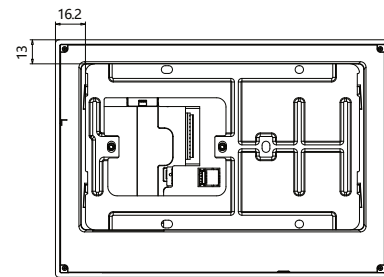


- The mounting plate is fixed to the installation frame.
- The suggested installation hole size should be less than 80mm × 80mm.
- During construction or renovation, remember to protect the mounting plate and junction box.

Plastic Model



Metal Model

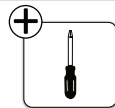


Unit: mm



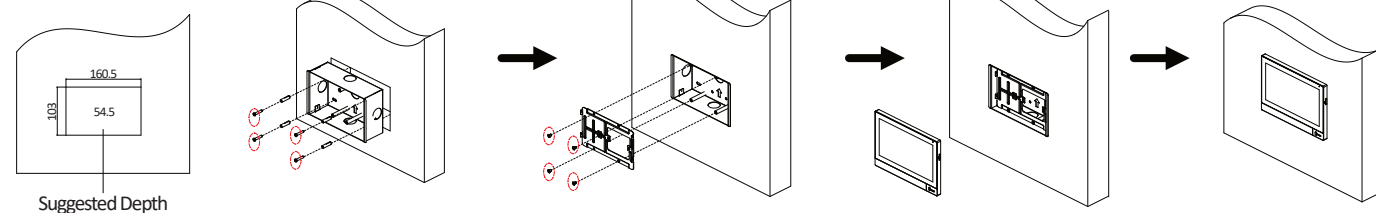
Before drilling holes on the wall, please take the instruction pictures on the left and the size the device into consideration.

3 Installation



The mounting methods and procedures are the same for metal and plastic model. Here uses the metal model as an example.

Flush Mounting



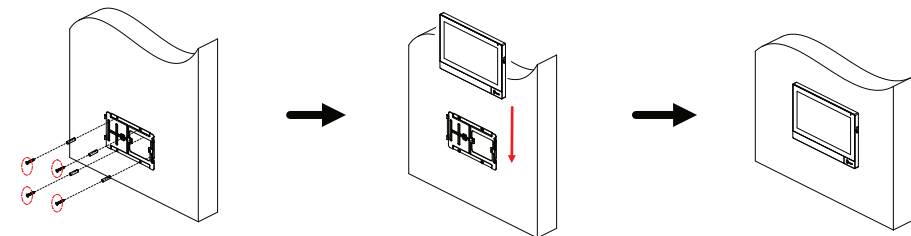
Suggested Depth

1. Fix the installation frame to the wall using 4 pieces KA4X25 screws and wall plugs.
2. Align the installation holes of the mounting plate with the positions of holes of the installation frame. Use 4 pieces of SC-KM4X6 screws to fix the mounting plate to the wall.
3. Make sure the cables are connected properly. Align the mounting holes on the back of the device with the mounting plate, and hang the device onto the plate from top to bottom.
4. Finished.



When performing construction or renovation, it is necessary to protect the indoor unit base.

Surface Mounting



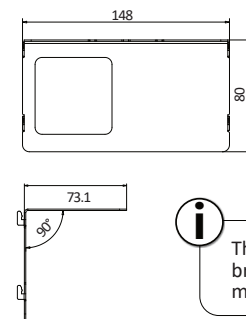
1. Use 4 KA4X25 screws with expansion anchors to mount the mounting plate to the wall.
2. Make sure the cables are connected properly. Align the mounting holes on the back of the device with the mounting plate, and hang the device onto the plate from top to bottom.
3. Finished.



When performing construction or renovation, it is necessary to protect the indoor unit base.

Mounting with Table Bracket

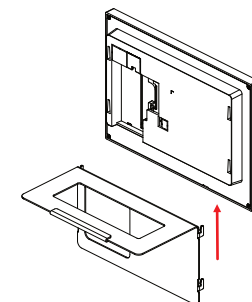
Table Bracket



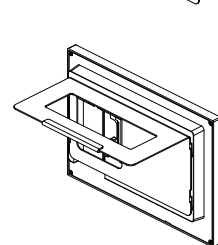
The size of the table bracket is the same for metal and plastic model.

1. Make sure the cables are connected properly. Align the bracket with the mounting holes on the back of the device, and push the bracket onto the device from bottom to top.
2. Finished.

1



2



4 Activation and Quick Configuration



1 Activate Indoor Station

You are required to activate the device first by setting a strong password before you can use the device.

1. Power on the device. It will enter the activation page automatically.
2. Create a password and confirm it.
3. Tap OK to activate the indoor station.

2 Quick Configuration

1. Choose Language and tap Next.
2. Set password reset method and tap Next.

- Enter the Reserved Email address, then you can reset the password by email.

Note: On the security questions settings page, you can tap Change to Reserved Email to modify the password reset method.

- Tap Change to Security Question. Select 3 security questions from Deficiency List and enter the answers of the questions, then you can reset the password by answering security questions.

3. Set network parameters and tap Next.
 - Edit Local IP, Subnet Mask and Gateway parameters.
 - Enable DHCP, the device will get network parameters automatically.

4. Configure the indoor station and tap Next.

- a. Select Indoor Station Type.
 - b. Edit Floor and Room No.
 - c. Set the Registration Password.
5. (Optional) Slide to enable the mobile client service. Tap Next.
6. Linked related devices and tap Next. If the device and the indoor station are in the same LAN, the device will be displayed in the list. Tap the device or enter the serial No. to link.

- a. Tap the door station in the list to link.
 - b. Tap the settings icon to pop up the Network Settings page.
 - c. Edit the network parameters of the door station manually or enable DHCP to get the network parameters automatically.
 - d. Tap OK to save the settings.
7. Tap Finish to save the settings.

Scan to get the User Manual for detailed information.



If a power adapter is provided in the device package, use the provided adapter only. If no power adapter is provided, ensure the power adapter or other power supply complies with Limited Power Source. Refer to the product label for the power supply output parameters.

Если адаптер питания входит в комплект поставки устройства, используйте только прилагаемый адаптер. Если адаптер питания не входит в комплект поставки, убедитесь, что используемый вами адаптер питания или источник питания соответствует требованиям к ограничению мощности. Выходные параметры источника питания указаны на его паспортной табличке.

Amennyiben a készülék csomagja tartalmaz hálózati adaptert, kizárólag a mellékelt adaptert használja. Ha a csomag nem tartalmaz hálózati adaptert, bizonyosodjon meg, hogy a használt hálózati adapter vagy más tápegység megfelelnek a korlátozott áramforrásokra vonatkozó előírásoknak. A tápegység teljesítményének paramétereit a termék címkéjén találhatók.

Wenn im Lieferumfang des Geräts ein Netzteil enthalten ist, verwenden Sie nur das mitgelieferte Netzteil. Wenn kein Netzteil mitgeliefert wird, stellen Sie sicher, dass das Netzteil oder eine andere Stromversorgung den Anforderungen an eine Stromquelle mit begrenzter Leistung entspricht. Die Ausgangsparameter des Netzteils sind auf dem Produktaufkleber angegeben.

Utilizzare solo l'alimentatore in dotazione, se incluso nella confezione del dispositivo. Se l'alimentatore non è incluso, accertarsi di utilizzare un modello conforme allo standard sulle fonti di alimentazione limitate. Consultare l'etichetta del prodotto per i parametri dell'uscita di alimentazione.

Pokud je v balení zařízení dodán napájecí adaptér, použijte pouze dodaný adaptér. Pokud není napájecí adaptér dodán, zajistěte, aby napájecí adaptér nebo jiný napájecí zdroj vyhovovaly požadavkům na omezený zdroj napájení. Parametry výstupu napájení viz štítek výrobku.

Ak bolo zariadenie dodané s napájacím adaptérom, použite iba dodaný adaptér. Ak napájací adaptér nie je dodaný, uistite sa, že napájací adaptér alebo iný zdroj napájania vyhovuje obmedzenému zdroju napájania. Parametre výstupu napájacieho zdroja nájdete na štítku produktu.

Si un adaptateur secteur est fourni dans l'emballage de l'appareil, n'utilisez que l'adaptateur fourni. Si aucun adaptateur secteur n'est fourni, assurez-vous que l'adaptateur secteur ou toute autre source d'alimentation est conforme à la source d'alimentation limitée. Reportez-vous à l'étiquette du produit pour connaître les paramètres de sortie de l'alimentation.

Jeżeli w pakiecie z urządzeniem dostarczony jest zasilacz, należy używać wyłącznie tego zasilacza. Jeżeli zasilacz nie jest dostarczony w pakiecie z urządzeniem, należy używać zasilacza zgodnego z wymaganiami dotyczącymi źródeł zasilania z własnym ograniczeniem (LPS, Limited Power Source). Informacje dotyczące wymaganego zasilania podano na etykiecie produktu.

Als een voedingsadapter in de verpakking van het apparaat is geleverd, mag u alleen deze adapter gebruiken. Als er geen voedingsadapter is meegeleverd, moet u ervoor zorgen dat de voedingsadapter of een andere stroombron voldoet aan de Beperkte voedingsbron. Raadpleeg het productlabel voor de parameters voor de stroomuitvoer.

Se a embalagem do dispositivo incluir um adaptador de alimentação, utilize apenas o adaptador fornecido. Se não for fornecido um adaptador, certifique-se de que o adaptador de alimentação ou qualquer outra fonte de alimentação está em conformidade com a Fonte de Alimentação Limitada. Consulte a etiqueta do produto para obter os parâmetros nominais da fonte de alimentação.

Si el paquete del dispositivo incluye un adaptador de corriente, utilice únicamente el adaptador suministrado. Si no se suministra un adaptador de corriente, asegúrese de que el adaptador de corriente u otra fuente de alimentación que utilice cumple con el límite de la fuente de alimentación. Consulte la etiqueta del producto para conocer los parámetros de salida de la fuente de alimentación.

Dacă dispozitivul se furnizează cu un adaptor de alimentare, utilizați-l numai pe acesta. Dacă nu se furnizează niciun adaptor de alimentare, asigurați-vă că adaptorul sau o altă alimentare electrică este compatibilă cu sursa de alimentare limitată. Pentru parametri de ieșire ai alimentării electrice, consultați eticheta produsului.

Hvis en strømadapter følger med i enhedens pakke, må du kun bruge den medfølgende adapter. Hvis der ikke medfølger en strømadapter, skal du sikre, at strømadapteren eller en anden strømforsyning overholder LPS (Limited Power Source). Find strømforsyningens udgangsparametre i produktets mærkat.

Cihaz paketinde bir güç adaptörü varsa, sadece verilen adaptörü kullanın. Güç adaptörü verilmediyse, güç adaptörünün veya diğer güç kaynağının Sınırlı Güç Kaynağı ile uyumlu olduğundan emin olun. Güç kaynağı çıkış parametreleri için ürün etiketine bakın.

في حال توفر محول طاقة في عبوة الجهاز، استخدم المحول المرفق فقط في حال عدم توفر محول طاقة، تأكد من توافق محول الطاقة أو مصدر الطاقة الأخر مع مصدر الطاقة المحدود. راجع ملصق المنتج للاطلاع على معلمات خرج مصدر الطاقة.

Якщо блок живлення входить у комплект поставки, використовуйте тільки наданий блок живлення. Якщо блок живлення не входить у комплект поставки, переконайтеся, що блок живлення або інше джерело живлення відповідає вимогам до джерел живлення обмеженої потужності. Вимоги до вихідних параметрів джерела живлення див. на етикетці виробу.

Jika adaptor daya disediakan dalam kemasan perangkat, hanya gunakan adaptor yang disediakan. Jika adaptor daya tidak disediakan, pastikan adaptor daya atau catu daya lain sesuai dengan Sumber Daya Terbatas. Lihat label produk untuk parameter output catu daya.

ကိရိယာ ထုပ်ပိုးမှုတွင် ပါဝါ အခတ်ပတာ ထည့်သွင်းပါရှိပါက ပေးထားသော အခတ်ပတာကိုသာ အသုံးပြုပါ။ ပါဝါ အခတ်ပတာ ပါရှိခြင်းမရှိပါက ပါဝါရင်းမြစ် ကန့်သတ်မှုနှင့် ကိုက်ညီသော ပါဝါ အခတ်ပတာ သို့မဟုတ် အခြား ပါဝါ ပေးသွင်းမှုများကို သုံးရန် ဂရုပြုပါ။ ပါဝါပေးသွင်းမှု အတွက် ကန့်သတ်ချက်များအတွက် ထုတ်ကုန်တွင် ရေးသားထားချက်ကို ကိုးကားပါ။