



Traffic Terminal Server

Quick Start Guide

About this Document

- This Document includes instructions for using and managing the Product. Pictures, charts, images and all other information hereinafter are for description and explanation only.
- The information contained in the Document is subject to change, without notice, due to firmware updates or other reasons. Please find the latest version of the Document at the Hikvision website (<https://www.hikvision.com>). Unless otherwise agreed, Hangzhou Hikvision Digital Technology Co., Ltd. or its affiliates (hereinafter referred to as "Hikvision") makes no warranties, express or implied.
- Please use the Document with the guidance and assistance of professionals trained in supporting the Product.

About this Product

This product can only enjoy the after-sales service support in the country or region where the purchase is made.

Acknowledgment of Intellectual Property Rights

- Hikvision owns the copyrights and/or patents related to the technology embodied in the Products described in this Document, which may include licenses obtained from third parties.
- Any part of the Document, including text, pictures, graphics, etc., belongs to Hikvision. No part of this Document may be excerpted, copied, translated, or modified in whole or in part by any means without written permission.
- **HIKVISION** and other Hikvision's trademarks and logos are the properties of Hikvision in various jurisdictions.
- Other trademarks and logos mentioned are the properties of their respective owners.

LEGAL DISCLAIMER

- TO THE MAXIMUM EXTENT PERMITTED BY APPLICABLE LAW, THIS DOCUMENT AND THE PRODUCT DESCRIBED, WITH ITS HARDWARE, SOFTWARE AND FIRMWARE, ARE PROVIDED "AS IS" AND "WITH ALL FAULTS AND ERRORS". HIKVISION MAKES NO WARRANTIES, EXPRESS OR IMPLIED, INCLUDING WITHOUT LIMITATION, MERCHANTABILITY, SATISFACTORY QUALITY, OR FITNESS FOR A PARTICULAR PURPOSE. THE USE OF THE PRODUCT BY YOU IS AT YOUR OWN RISK. IN NO EVENT WILL HIKVISION BE LIABLE TO YOU FOR ANY SPECIAL, CONSEQUENTIAL, INCIDENTAL, OR INDIRECT DAMAGES, INCLUDING, AMONG OTHERS, DAMAGES FOR LOSS OF BUSINESS PROFITS, BUSINESS INTERRUPTION, OR LOSS OF DATA, CORRUPTION OF SYSTEMS, OR LOSS OF DOCUMENTATION, WHETHER BASED ON BREACH OF CONTRACT, TORT (INCLUDING NEGLIGENCE), PRODUCT LIABILITY, OR OTHERWISE, IN CONNECTION WITH THE USE OF THE PRODUCT, EVEN IF HIKVISION HAS BEEN ADVISED OF THE POSSIBILITY OF SUCH DAMAGES OR LOSS.
- YOU ACKNOWLEDGE THAT THE NATURE OF THE INTERNET PROVIDES FOR INHERENT SECURITY

RISKS, AND HIKVISION SHALL NOT TAKE ANY RESPONSIBILITIES FOR ABNORMAL OPERATION, PRIVACY LEAKAGE OR OTHER DAMAGES RESULTING FROM CYBER-ATTACK, HACKER ATTACK, VIRUS INFECTION, OR OTHER INTERNET SECURITY RISKS; HOWEVER, HIKVISION WILL PROVIDE TIMELY TECHNICAL SUPPORT IF REQUIRED.

- YOU AGREE TO USE THIS PRODUCT IN COMPLIANCE WITH ALL APPLICABLE LAWS, AND YOU ARE SOLELY RESPONSIBLE FOR ENSURING THAT YOUR USE CONFORMS TO THE APPLICABLE LAW. ESPECIALLY, YOU ARE RESPONSIBLE, FOR USING THIS PRODUCT IN A MANNER THAT DOES NOT INFRINGE ON THE RIGHTS OF THIRD PARTIES, INCLUDING WITHOUT LIMITATION, RIGHTS OF PUBLICITY, INTELLECTUAL PROPERTY RIGHTS, OR DATA PROTECTION AND OTHER PRIVACY RIGHTS. YOU SHALL NOT USE THIS PRODUCT FOR ANY PROHIBITED END-USES, INCLUDING THE DEVELOPMENT OR PRODUCTION OF WEAPONS OF MASS DESTRUCTION, THE DEVELOPMENT OR PRODUCTION OF CHEMICAL OR BIOLOGICAL WEAPONS, ANY ACTIVITIES IN THE CONTEXT RELATED TO ANY NUCLEAR EXPLOSIVE OR UNSAFE NUCLEAR FUEL-CYCLE, OR IN SUPPORT OF HUMAN RIGHTS ABUSES.
- IN THE EVENT OF ANY CONFLICTS BETWEEN THIS DOCUMENT AND THE APPLICABLE LAW, THE LATTER PREVAILS.

© Hangzhou Hikvision Digital Technology Co., Ltd. All rights reserved.

Symbol Conventions

The symbols that may be found in this document are defined as follows.




Symbol	Description
 Note	Provides additional information to emphasize or supplement important points of the main text.
 Caution	Indicates a potentially hazardous situation, which if not avoided, could result in equipment damage, data loss, performance degradation, or unexpected results.
 Danger	Indicates a hazard with a high level of risk, which if not avoided, will result in death or serious injury.

TABLE OF CONTENTS

Chapter 1 Interface	1
Chapter 2 Installation	4
2.1 Preparation	4
2.2 Install Device	4
2.3 Start Up	5
Chapter 3 Detailed Configuration	6

Chapter 1 Interface

The interface of the Traffic Terminal Server (hereinafter referred to as “device”) is shown as below.

Note

The number and positions of the interfaces may vary with different models. The following illustration is for reference only. Please refer to the actual device.

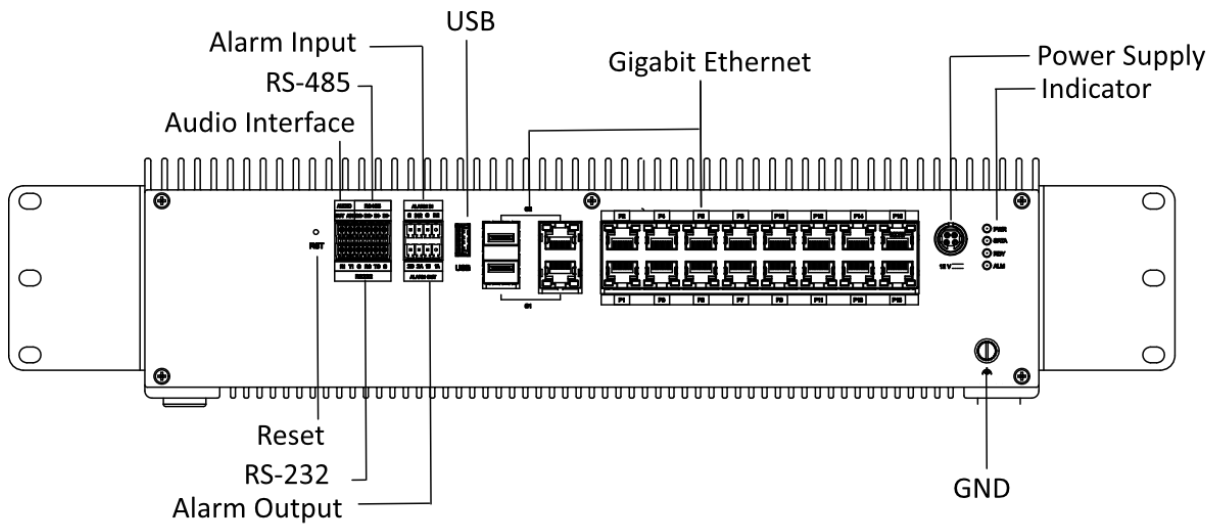


Figure 1-1 Device Interface

Refer to the table below for the interface description.

Table 1-1 Interface Description

Item	Description
Gigabit Ethernet	<ul style="list-style-type: none"> ● G1 is in the same network with P1 to P16, optical multiplexing with OPT, and it is usually used to connect to IP cameras. ● G2 is to upload data to platform by external network, independent of G1.
Indicator	<ul style="list-style-type: none"> ● Power Indicator (PWR): Solid green indicates that the power supply is normal. ● Alarm Indicator (ALM): Solid green indicates that alarm information is received. ● SATA Indicator (SATA): Solid green indicates that the hard disk works normally. ● Working Status Indicator (RDY): Solid green indicates that the device is running normally.
RS-485	Connects to RS-485 control devices (e.g. PTZ). There are two groups of interfaces (Dn+, Dn-), which are paired according to the same number.
RS-232	Connects to the serial port to debug the device. There are two groups of interfaces (Rn, Tn), which are paired according to the same number.
Audio Interface	Connects to devices such as a microphone (audio input) and a speaker (audio output) for audio collection and play.
Alarm Input/Output	<ul style="list-style-type: none"> ● Alarm Input: Connects to an alarm trigger device to trigger alarm signals. ● Alarm Output: Connects to an alarm linkage device to report alarm when receiving alarm signals. ● There are two groups of interfaces (nA, nB), which are paired according to the same number.
Reset	Hold the button with a hard and thin insulator to restore the device to factory settings.
USB	Connects to a USB flash drive.
Power Supply	Connects to the power cord to supply power.
GND	Connect to the GND.

 **Caution**

The USB interface can only connect to a USB flash drive. Charging via the interface or connecting to other loads are not allowed.

Chapter 2 Installation

Note

The appearances and structures may vary with device models. Please refer to the actual device.

2.1 Preparation

- Prepare a screwdriver and other tools.
- Lay the required cables, including the power cable and network cable.

2.2 Install Device

It is recommended to install the device in a cabinet.

Before you start:

Prepare and install the cabinet.

Step 1 Open the cabinet door and place the device on the tray of the cabinet.

Caution

The device must be placed on the tray of the cabinet, otherwise it will cause device damage and exception.

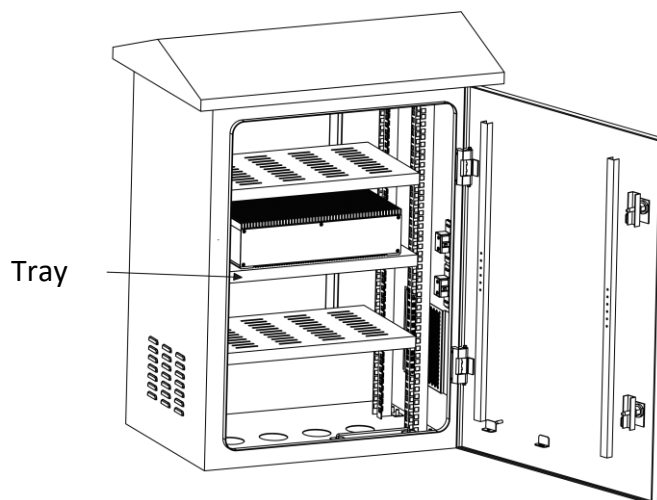


Figure 2-1 Place Device

Step 2 Connect the required cables, and close the cabinet door.



To avoid electrical short circuit, ensure to pack all unused screws, paper clips, and other parts, and do not forget them on the mainboard or the device.

2.3 Start Up

After the installation and wiring is completed correctly, connect the power supply to start it up. Check the device status according to the indicators. If the device fails to start up, troubleshoot the wiring and cable connection first.



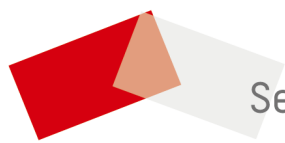
For indicator status, refer to [Chapter 1 Interface](#).

Chapter 3 Detailed Configuration

Scan the QR code below to get the user manual for detailed configuration.



Figure 3-1 User Manual QR Code



See Far, Go Further