



Helmet Camera

Quick Start Guide

About this Document

- This Document includes instructions for using and managing the Product. Pictures, charts, images and all other information hereinafter are for description and explanation only.
- The information contained in the Document is subject to change, without notice, due to firmware updates or other reasons. Please find the latest version of the Document at the Hikvision website (<https://www.hikvision.com>). Unless otherwise agreed, Hangzhou Hikvision Digital Technology Co., Ltd. or its affiliates (hereinafter referred to as "Hikvision") makes no warranties, express or implied.
- Please use the Document with the guidance and assistance of professionals trained in supporting the Product.

About this Product

This product can only enjoy the after-sales service support in the country or region where the purchase is made.

Acknowledgment of Intellectual Property Rights

- Hikvision owns the copyrights and/or patents related to the technology embodied in the Products described in this Document, which may include licenses obtained from third parties.
- Any part of the Document, including text, pictures, graphics, etc., belongs to Hikvision. No part of this Document may be excerpted, copied, translated, or modified in whole or in part by any means without written permission.
- **HIKVISION** and other Hikvision's trademarks and logos are the properties of Hikvision in various jurisdictions.
- Other trademarks and logos mentioned are the properties of their respective owners.

LEGAL DISCLAIMER

- TO THE MAXIMUM EXTENT PERMITTED BY APPLICABLE LAW, THIS DOCUMENT AND THE PRODUCT DESCRIBED, WITH ITS HARDWARE, SOFTWARE AND FIRMWARE, ARE PROVIDED "AS IS" AND "WITH ALL FAULTS AND ERRORS". HIKVISION MAKES NO WARRANTIES, EXPRESS OR IMPLIED, INCLUDING WITHOUT LIMITATION, MERCHANTABILITY, SATISFACTORY QUALITY, OR FITNESS FOR A PARTICULAR PURPOSE. THE USE OF THE PRODUCT BY YOU IS AT YOUR OWN RISK. IN NO EVENT WILL HIKVISION BE LIABLE TO YOU FOR ANY SPECIAL, CONSEQUENTIAL, INCIDENTAL, OR INDIRECT DAMAGES, INCLUDING, AMONG OTHERS, DAMAGES FOR LOSS OF BUSINESS PROFITS, BUSINESS INTERRUPTION, OR LOSS OF DATA, CORRUPTION OF SYSTEMS, OR LOSS OF DOCUMENTATION, WHETHER BASED ON BREACH OF CONTRACT, TORT (INCLUDING NEGLIGENCE), PRODUCT LIABILITY, OR OTHERWISE, IN CONNECTION WITH THE USE OF THE PRODUCT, EVEN IF HIKVISION HAS BEEN ADVISED OF THE POSSIBILITY OF SUCH DAMAGES OR LOSS.
- YOU ACKNOWLEDGE THAT THE NATURE OF THE INTERNET PROVIDES FOR INHERENT SECURITY RISKS, AND HIKVISION SHALL NOT TAKE ANY RESPONSIBILITIES FOR ABNORMAL OPERATION,




PRIVACY LEAKAGE OR OTHER DAMAGES RESULTING FROM CYBER-ATTACK, HACKER ATTACK, VIRUS INFECTION, OR OTHER INTERNET SECURITY RISKS; HOWEVER, HIKVISION WILL PROVIDE TIMELY TECHNICAL SUPPORT IF REQUIRED.

- YOU AGREE TO USE THIS PRODUCT IN COMPLIANCE WITH ALL APPLICABLE LAWS, AND YOU ARE SOLELY RESPONSIBLE FOR ENSURING THAT YOUR USE CONFORMS TO THE APPLICABLE LAW. ESPECIALLY, YOU ARE RESPONSIBLE, FOR USING THIS PRODUCT IN A MANNER THAT DOES NOT INFRINGE ON THE RIGHTS OF THIRD PARTIES, INCLUDING WITHOUT LIMITATION, RIGHTS OF PUBLICITY, INTELLECTUAL PROPERTY RIGHTS, OR DATA PROTECTION AND OTHER PRIVACY RIGHTS. YOU SHALL NOT USE THIS PRODUCT FOR ANY PROHIBITED END-USES, INCLUDING THE DEVELOPMENT OR PRODUCTION OF WEAPONS OF MASS DESTRUCTION, THE DEVELOPMENT OR PRODUCTION OF CHEMICAL OR BIOLOGICAL WEAPONS, ANY ACTIVITIES IN THE CONTEXT RELATED TO ANY NUCLEAR EXPLOSIVE OR UNSAFE NUCLEAR FUEL-CYCLE, OR IN SUPPORT OF HUMAN RIGHTS ABUSES.
- IN THE EVENT OF ANY CONFLICTS BETWEEN THIS DOCUMENT AND THE APPLICABLE LAW, THE LATTER PREVAILS.

© Hangzhou Hikvision Digital Technology Co., Ltd. All rights reserved.

Symbol Conventions

The symbols that may be found in this document are defined as follows.

Symbol	Description
 Note	Provides additional information to emphasize or supplement important points of the main text.
 Caution	Indicates a potentially hazardous situation, which if not avoided, could result in equipment damage, data loss, performance degradation, or unexpected results.
 Danger	Indicates a hazard with a high level of risk, which if not avoided, will result in death or serious injury.

Chapter 1 Introduction

1.1 Product Introduction

Helmet camera (hereinafter referred to as “device”) highly integrates with record, capture, positioning, etc. It is small and light, convenient to carry, and can be installed on the helmet.

1.2 Key Feature

- Up to 1080 p/30 fps recording resolution.
- Supports H.264/H.265.
- High brightness white light supplement.
- Wide-range lens with 84° horizontal FOV.
- IP67.
- The battery is non-removable.

1.3 Overview

Refer to the figure and table below for the overview of the device.

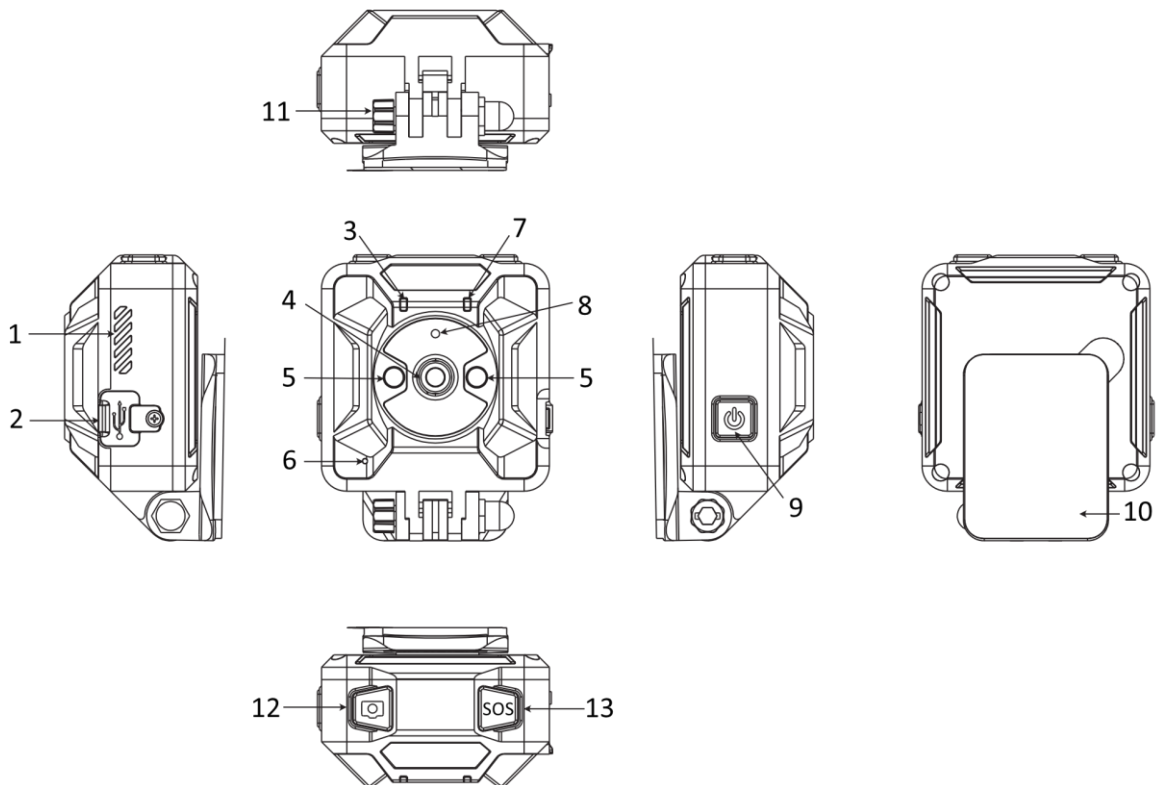
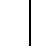
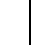
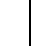
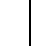




Figure 1-1 Overview

Table 1-1 Overview Description

No.	Name	Description
1	Loudspeaker	For sound play.
2	Type-C interface and SIM card slot plug	<p>Open the plug on the side.</p> <ul style="list-style-type: none"> ● Type-C interface: To connect to the USB data cable to charge the device or transmit data. Or to connect to the Type-C earphones to transmit audio and adjust the volume via the volume buttons on the earphones after the device dialing function is disabled. ● SIM card slot: To insert the SIM card.
3	Indicator	Solid green: The device is running.
4	Lens	For record and capture.
5	White light	After the device starts up, press  to turn on the white light for light supplement when capturing and recording. Press  again to turn off the white light.
6	MIC	For voice collection.
7	Power indicator	<ul style="list-style-type: none"> ● Flashing red (slowly): The device is recording. ● Flashing red (fast): The device is in low battery. ● Solid red: The device is being charged. ● Solid green: The device is fully charged.
8	Laser light	<p>After the device starts up, press  twice to enable the laser light. Then press  twice again to disable the laser light.</p> <hr/> <p> Danger</p> <ul style="list-style-type: none"> ● The laser radiation emitted from the device can cause eye injuries, burning of skin, or inflammable substances. Before enabling the function, make sure no human or inflammable substances are in front of the laser lens. ● Do not place the device where minors can fetch it. <hr/>
9	On/Off	<ul style="list-style-type: none"> ● When the device is off, hold it to start it up. ● When the device is on, hold it to shut it down.
10	Adhesive backing	For sticking the device to the helmet.
11	Fixing screw	For fixing the device and the bracket.
12	Capture	<p>After the device starts up:</p> <ul style="list-style-type: none"> ● Press it once to capture a picture.

		<ul style="list-style-type: none"> ● Press it twice continuously to enable the device Wi-Fi AP. Then press it twice again to disable the device Wi-Fi AP. ● Hold it to start record. Then hold it again to stop record.
13	SOS	<p>After the device starts up, press it to send the alarm signal to the connected platform.</p> <p> Note</p> <p>The device should be connected to the platform first.</p>

Chapter 2 Product Installation

Please make sure that all the supplied accessories are available and intact before installation.

2.1 Install Device

There is a backup bracket in the device package. If you want to install the device with the backup bracket, follow the steps below.

 **Note**

The device is equipped with a bracket after leaving factory. You can stick the device to the helmet directly with the equipped bracket.

Step 1 Wipe the central area of the helmet to keep it clean.

Step 2 Tear off the protective film of the bracket's adhesive backing. Then stick the bracket to the helmet.

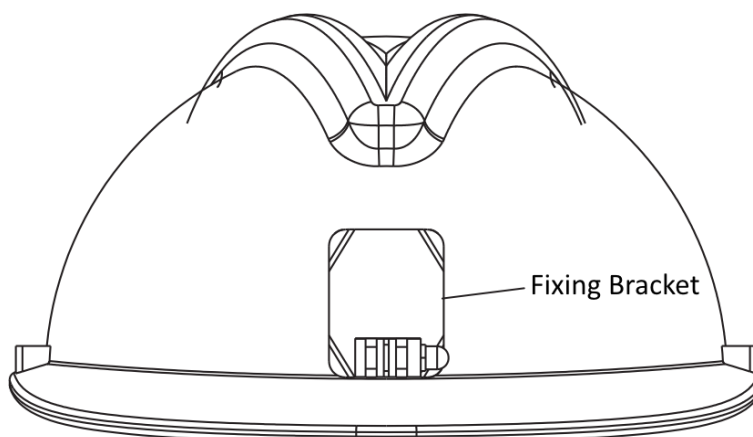


Figure 2-1 Stick Fixing Bracket

Step 3 Insert the device into the fixed bracket slot from top to bottom.

Step 4 Insert the fixed screw into the screw hole of the device and bracket from left to right.

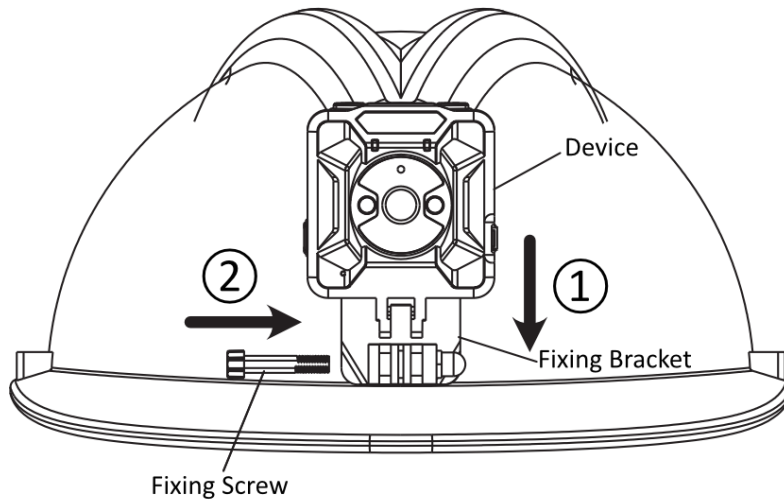


Figure 2-2 Install Device

Step 5 Adjust the device angle as needed.

Step 6 Tighten the screw with a hex wrench in a clockwise direction.

! Danger

Tighten the screw until the device is fixed without rotation, and avoid over-tightening the screw causing a loose screw to break the device.

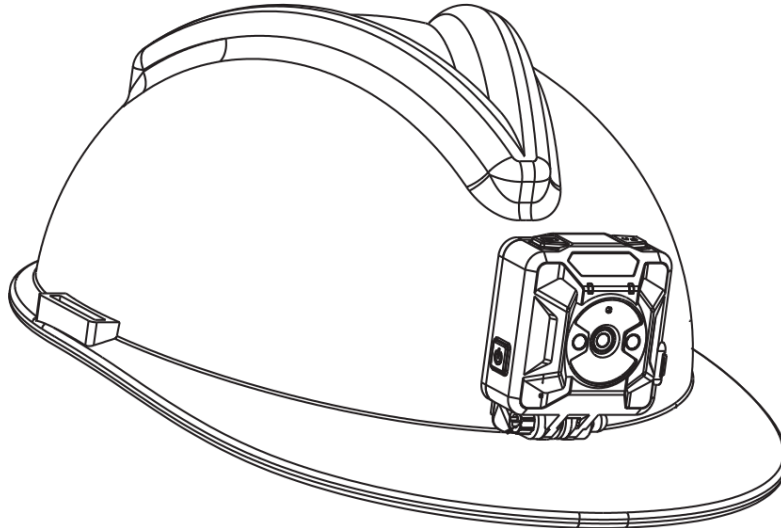


Figure 2-3 Tighten the Screw

2.2 Install SIM Card

Install a SIM card for enabling dialing.

Step 1 Open the plug on the side.

Step 2 Insert the Nano-SIM card into the SIM card slot according to the SIM card mark.

Step 3 Close the plug.

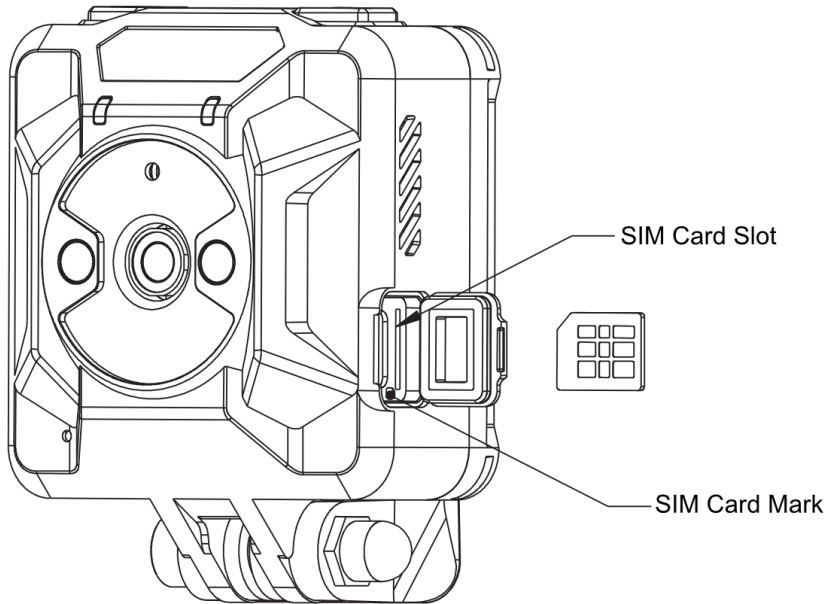


Figure 2-4 Install SIM Card

2.3 Charge

When the power indicator of the device is flashing red fast, the device is in low battery. Charge the device in time. Open the plug and insert Type-C data cable to charge the device. Close the plug after charging.

Chapter 3 Device Operation via Mini AI Assistant Application

You can realize the live view, remote video playback, device configuration, file management, etc. via the Mini AI Assistant application. Scan the QR code below to get the user manual of Mini AI Assistant application.



Figure 3-1 Mini AI Assistant Application User Manual QR Code



See Far, Go Further