



Mobile Network Camera

Quick Start Guide

Legal Information

About this Manual

The Manual includes instructions for using and managing the Product. Pictures, charts, images and all other information hereinafter are for description and explanation only. The information contained in the Manual is subject to change, without notice, due to firmware updates or other reasons. Please find the latest version of this Manual at the company website.

Please use this Manual with the guidance and assistance of professionals trained in supporting the Product.

Trademarks

Trademarks and logos mentioned are the properties of their respective owners.

Disclaimer

TO THE MAXIMUM EXTENT PERMITTED BY APPLICABLE LAW, THIS MANUAL AND THE PRODUCT DESCRIBED, WITH ITS HARDWARE, SOFTWARE AND FIRMWARE, ARE PROVIDED "AS IS" AND "WITH ALL FAULTS AND ERRORS". OUR COMPANY MAKES NO WARRANTIES, EXPRESS OR IMPLIED, INCLUDING WITHOUT LIMITATION, MERCHANTABILITY, SATISFACTORY QUALITY, OR FITNESS FOR A PARTICULAR PURPOSE. THE USE OF THE PRODUCT BY YOU IS AT YOUR OWN RISK. IN NO EVENT WILL OUR COMPANY BE LIABLE TO YOU FOR ANY SPECIAL, CONSEQUENTIAL, INCIDENTAL, OR INDIRECT DAMAGES, INCLUDING, AMONG OTHERS, DAMAGES FOR LOSS OF BUSINESS PROFITS, BUSINESS INTERRUPTION, OR LOSS OF DATA, CORRUPTION OF SYSTEMS, OR LOSS OF DOCUMENTATION, WHETHER BASED ON BREACH OF CONTRACT, TORT (INCLUDING NEGLIGENCE), PRODUCT LIABILITY, OR OTHERWISE, IN CONNECTION WITH THE USE OF THE PRODUCT, EVEN IF OUR COMPANY HAS BEEN ADVISED OF THE POSSIBILITY OF SUCH DAMAGES OR LOSS.

YOU ACKNOWLEDGE THAT THE NATURE OF THE INTERNET PROVIDES FOR INHERENT SECURITY RISKS, AND OUR COMPANY SHALL NOT TAKE ANY RESPONSIBILITIES FOR ABNORMAL OPERATION, PRIVACY LEAKAGE OR OTHER DAMAGES RESULTING FROM CYBER-ATTACK, HACKER ATTACK, VIRUS INFECTION, OR OTHER INTERNET SECURITY RISKS; HOWEVER, OUR COMPANY WILL PROVIDE TIMELY TECHNICAL SUPPORT IF REQUIRED.

YOU AGREE TO USE THIS PRODUCT IN COMPLIANCE WITH ALL APPLICABLE LAWS, AND YOU ARE SOLELY RESPONSIBLE FOR ENSURING THAT YOUR USE CONFORMS TO THE APPLICABLE LAW. ESPECIALLY, YOU ARE RESPONSIBLE, FOR USING THIS PRODUCT IN A MANNER THAT DOES NOT INFRINGE ON THE RIGHTS OF THIRD PARTIES, INCLUDING WITHOUT LIMITATION, RIGHTS OF PUBLICITY, INTELLECTUAL PROPERTY RIGHTS, OR DATA PROTECTION AND OTHER PRIVACY RIGHTS. YOU SHALL NOT USE THIS PRODUCT FOR ANY PROHIBITED END-USES, INCLUDING THE DEVELOPMENT OR PRODUCTION OF WEAPONS OF MASS DESTRUCTION, THE DEVELOPMENT OR PRODUCTION OF CHEMICAL OR BIOLOGICAL WEAPONS, ANY ACTIVITIES IN THE CONTEXT RELATED TO ANY NUCLEAR EXPLOSIVE OR UNSAFE NUCLEAR FUEL-CYCLE, OR IN SUPPORT OF HUMAN RIGHTS ABUSES.

IN THE EVENT OF ANY CONFLICTS BETWEEN THIS MANUAL AND THE APPLICABLE LAW, THE LATTER PREVAILS.

Regulatory Information

FCC Information

Please take attention that changes or modification not expressly approved by the party responsible for compliance could void the user's authority to operate the equipment.

FCC Compliance


This equipment has been tested and found to comply with the limits for a Class A digital device, pursuant to part 15 of the FCC Rules. These limits are designed to provide reasonable protection against harmful interference when the equipment is operated in a commercial environment. This equipment generates, uses, and can radiate radio frequency energy and, if not installed and used in accordance with the instruction manual, may cause harmful interference to radio communications. Operation of this equipment in a residential area is likely to cause harmful interference in which case the user will be required to correct the interference at his own expense.


FCC Conditions


This device complies with part 15 of the FCC Rules. Operation is subject to the following two conditions:

1. This device may not cause harmful interference.
2. This device must accept any interference received, including interference that may cause undesired operation.

EU Conformity Statement

 This product and - if applicable - the supplied accessories too are marked with "CE" and comply therefore with the applicable harmonized European standards listed under the EMC Directive 2014/30/EU, the LVD Directive 2014/35/EU, the RoHS Directive 2011/65/EU.

 2012/19/EU (WEEE directive): Products marked with this symbol cannot be disposed of as unsorted municipal waste in the European Union. For proper recycling, return this product to your local supplier upon the purchase of equivalent new equipment, or dispose of it at designated collection points. For more information see: www.recyclethis.info




 2006/66/EC (battery directive): This product contains a battery that cannot be disposed of as unsorted municipal waste in the European Union. See the product documentation for specific battery information. The battery is marked with this symbol, which may include lettering to indicate cadmium (Cd), lead (Pb), or mercury (Hg). For proper recycling, return the battery to your supplier or to a designated collection point. For more information see: www.recyclethis.info

Industry Canada ICES-003 Compliance

This device meets the CAN ICES-3 (A)/NMB-3(A) standards requirements.

Symbol Conventions

The symbols that may be found in this document are defined as follows.

Symbol	Description
 Note	Provides additional information to emphasize or supplement important points of the main text.
 Caution	Indicates a potentially hazardous situation, which if not avoided, could result in equipment damage, data loss, performance degradation, or unexpected results.
 Danger	Indicates a hazard with a high level of risk, which if not avoided, will result in death or serious injury.

Safety Instructions

- Proper configuration of all passwords and other security settings is the responsibility of the installer and/or end-user.
- In the use of the product, you must be in strict compliance with the electrical safety regulations of the nation and region. Please refer to technical specifications for detailed information.
- Input voltage should meet limited power source or PS2 requirements according to the IEC60950-1 or IEC 62368-1 standard. Please refer to technical specifications for detailed information.
- Do not connect several devices to one power adapter as adapter overload may cause overheating or a fire hazard.
- Please make sure that the plug is firmly connected to the power socket.
- If smoke, odor or noise rise from the device, turn off the power at once and unplug the power cable, and then please contact the service center.

TABLE OF CONTENTS

Chapter 1 Product Introduction.....	1
Chapter 2 Camera Installation and Cable Description	2
2.1 Packing List	2
2.2 Appearance	2
2.3 Cable Description.....	3
2.4 Vehicle Network Interface Description	3
2.4.1 4-Core Aviation Head Interface	3
2.4.2 6-Core Aviation Head Interface	3
2.4.3 RJ45+2PIN Terminal Block Plug	4
2.5 Installation Instructions.....	4
Chapter 3 Quick Operation.....	8
3.1 Connection Network.....	8
3.2 Activating and Configuring Cameras	8
Chapter 4 Maintenance Instruction.....	11
4.1 Lens Maintenance.....	11
4.2 Maintenance of Hemispherical Transparent Spherical Cover	11
4.3 Network Security Maintenance	11

Chapter 1 Product Introduction

This mobile network camera is a digital monitoring product that integrates video and audio collection, intelligent coding and compression, network transmission and other functions, and is generally used for monitoring scenes inside buses. With embedded operating system and high-performance hardware processing platform, it has high stability and reliability.

You can browse real-time video and configure settings through browser.

Main features include:

- Adopt high-performance processing chip and platform, with reliable and stable performance
- Advanced video compression technology is adopted, with high compression ratio, flexible processing and ultra-low bit rate
- It supports high-resolution video output, and the captured images are clear and delicate
- Support Micro SD card storage
- Support network remote upgrade and remote maintenance
- Support exception alarm
- Multilingual support
- Multi-browser support




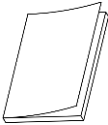


Some functions of network cameras vary across models. Please refer to the actual functions.

Chapter 2 Camera Installation and Cable Description

2.1 Packing List

Check whether the items in the packing list are complete in the packing list before installation.

Table 2-1 Packing list

No	Picture	Name	Number
1		Camera	1
2		QUG	1
3		PA4x25 Screw	2
4		M4x16 Screw	2

2.2 Appearance

The appearance of camera, as shown in the following figure.

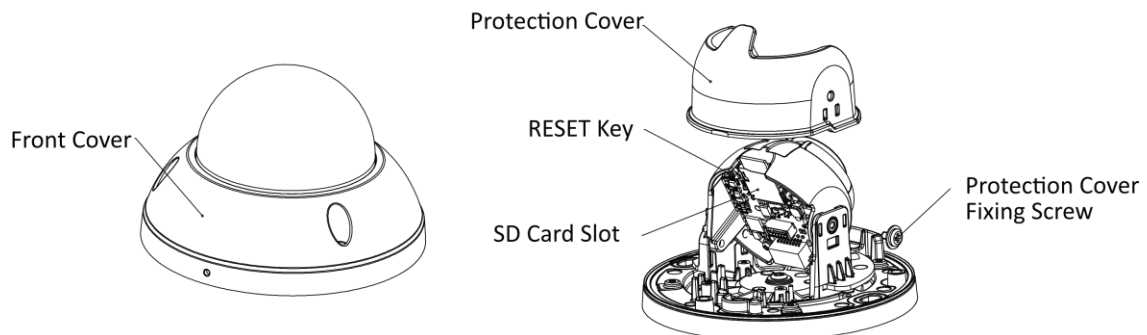


Figure 2-1 The Appearance of AE- VC215 Camera

- Micro SD card slot: used to insert Micro SD card for local storage.
- RESET key: press the "RESET" key for a long time, and then power on the camera; when the camera is powered on, press it for 10 seconds and then release the "RESET" button to restore all camera parameters to factory settings. Please activate the camera again after recovery.

2.3 Cable Description

There are 3 types of cables for cameras, as shown bellow.

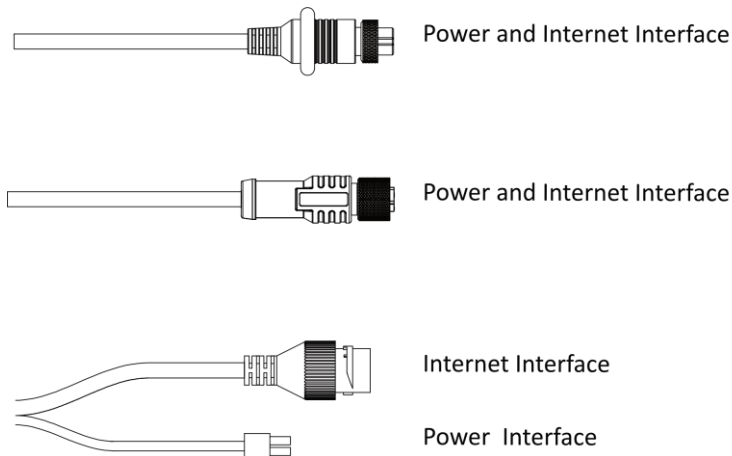


Figure 2-2 Cable Description

From top to down, they are 6-core aviation head interface (support 12 V power supply), 4-core aviation head interface (support PoE power supply), and the RJ45+2PIN terminal block plug (support DC 9-36 V power supply). Please connect to the correct pole and do not mistake positive with negative pole.

Note

The appearance and cable of the camera vary across models. Please refer to the actual device.

2.4 Vehicle Network Interface Description

The illustration, pin number and pin description are shown in the following tables.

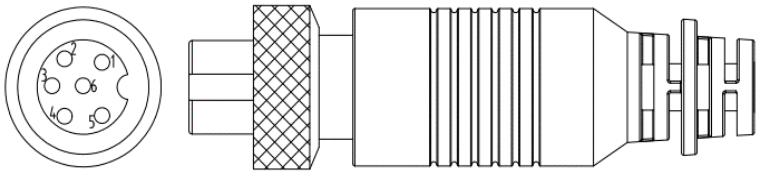
2.4.1 4-Core Aviation Head Interface

Table 2-2 4-Core Interface

Illustration	Pin No.	Pin Description
	1	IPC_TX+
	2	IPC_RX+
	3	IPC_TX-
	4	IPC_RX-

2.4.2 6-Core Aviation Head Interface

Table 2-3 6-Core Interface

Illustration	Pin No.	Pin Description
	1	IPC_TX-
	2	IPC_TX+
	3	IPC_POWER
	4	IPC_RX-
	5	IPC_RX+
	6	IPC_GND

2.4.3 RJ45+2PIN Terminal Block Plug

Table 2-4 RJ45 Interface

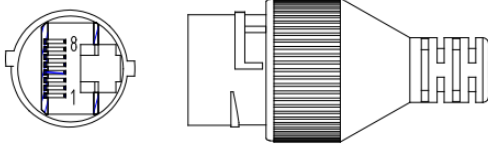
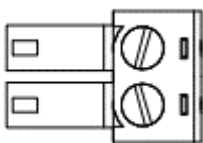
Illustration	Pin No.	Pin Description
	1	IPC_TX+
	2	IPC_TX-
	3	IPC_RX+
	6	IPC_RX-

Table 2-5 2Pin Terminal Block Plug

Illustration	Pin No.	Pin Description
	1	IPC_POWER
	2	IPC_GND

2.5 Installation Instructions

The camera installation steps are as follows.

Step 1 Loosen the three fixing screws on the camera front cover with a cross wrench, and remove the camera front cover.

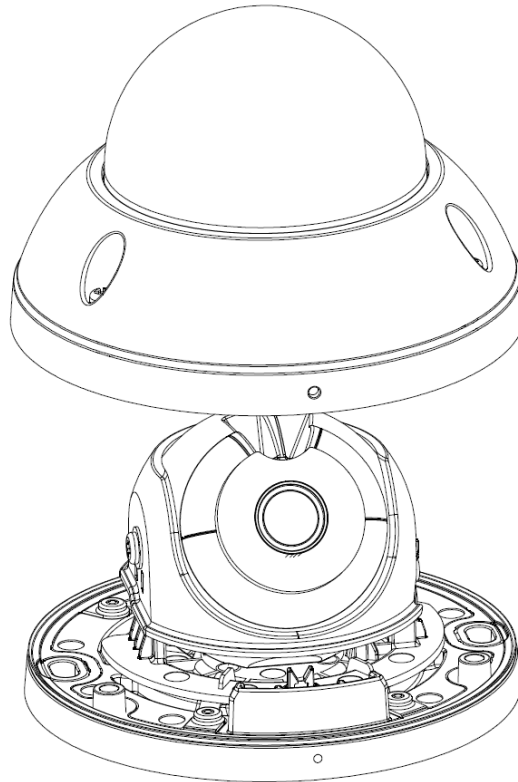


Figure 2-3 Removing Front Cover

Step 2 Remove the Protection Cover Fixing Screw to remove the protection cover, and gently insert the Micro SD card into the slot. If you need to take out the Micro SD card, press it gently and it will spring out.

Note

When removing the protection cover, please avoid using too much force, for otherwise it will break.

If not using the SD card, you can skip step 2.

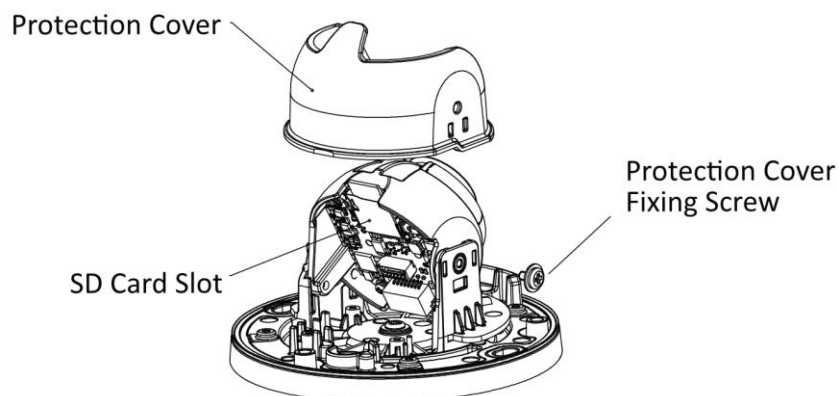


Figure 2-4 Micro SD Card Installation

Step 3 Organize the cables of the camera and make sure that they are insulated. Then lead the cable through the cable hole. After loosening the Camera Fixing Screws to remove front

cover, fix the Vehicle Fixing Screws to fix the camera on the vehicle. Screw positions are shown in the following figure.

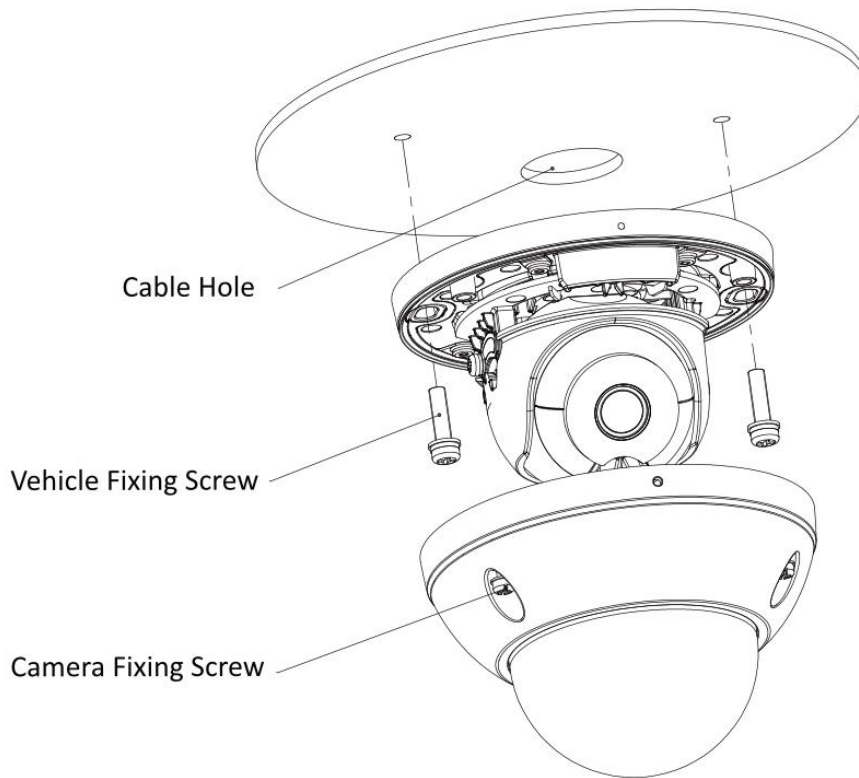


Figure 2-5 Fix the Camera

Step 4 Adjust the angle of the camera. Loosen the Vertical Adjustment Screw and then adjust the vertical angle of the camera. The vertical adjustment range is $0^{\circ} \sim 60^{\circ}$. The horizontal adjustment range is $-50^{\circ} \sim +50^{\circ}$.

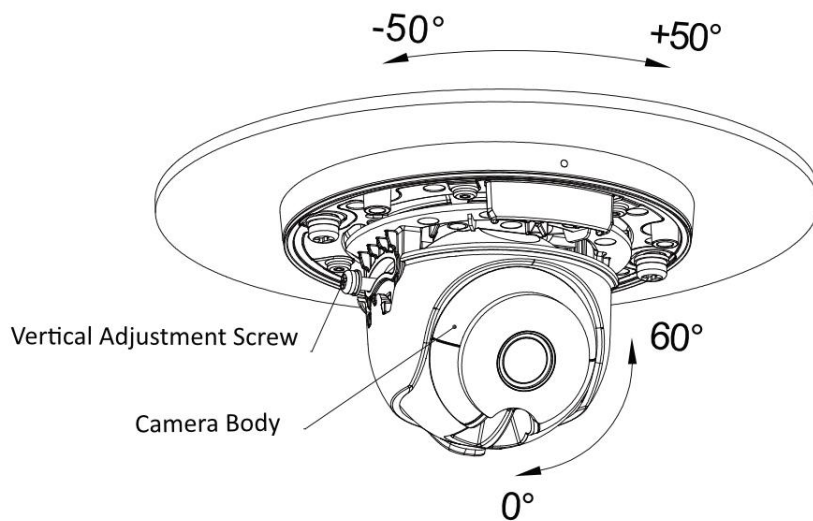


Figure 2-6 Adjusting Camera Angle

Step 5 Restore the Front Cover to finish installation.

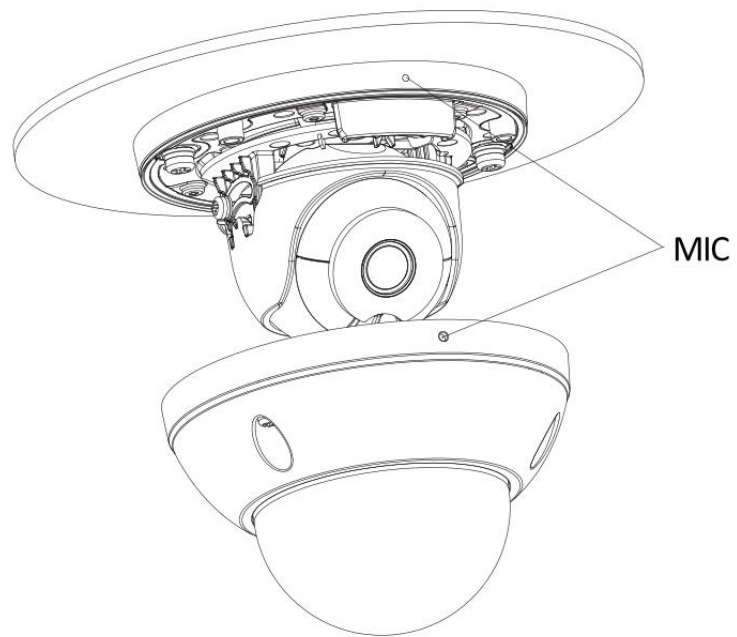


Figure 2-7 Installing Front Cover

Chapter 3 Quick Operation

Note

If you connect your products to the Internet at your own risk, including but not limited to network attack, hacker attack, virus infection, etc., our company will not be responsible for the problems such as abnormal product work and information leakage, but we will provide you with product-related technical support in time.

3.1 Connection Network

After the network camera is installed, you need to configure the functions and parameters. You can configure the related functions through the browser.

Before configuration, please confirm that the network camera is connected to the computer and can access the network camera that needs to be set up.

3.2 Activating and Configuring Cameras

The network camera must be activated and set a login password before it can log in and use normally.

Note

In order to protect your personal privacy and corporate data, and avoid the network security problems of camera products, it is recommended that you set a high-strength password that meets the security specifications.

The network camera can be activated through SADP software, client software and browser. Please refer to the Operation Manual of Network Camera for specific activation methods.

This manual takes SADP software activation as an example, and its operation is as follows.

- Step 1 Install the SADP software downloaded from official website. After running the software, the SADP software will automatically search all online devices in the local area network, and the information such as device type, IP address, activation status, serial number and so on will be displayed in the list. SADP software download address:
https://www.hikvision.com/cn/download_60.html

Note

The default IP address of network camera: 192.168.1.64.

- Step 2 Check the device to be activated, set the device password at "Activate Device", and click "Activate" to complete activation, as shown in Figure 3-1.

Note

In order to improve the security of product network use, the set password should be 8~16 digits in length, at least composed of two or more types of numbers, lowercase letters, uppercase letters and special characters, and the password should not contain the user name.

After successfully activating the device, the "activation status" in the list will be updated to "activated".

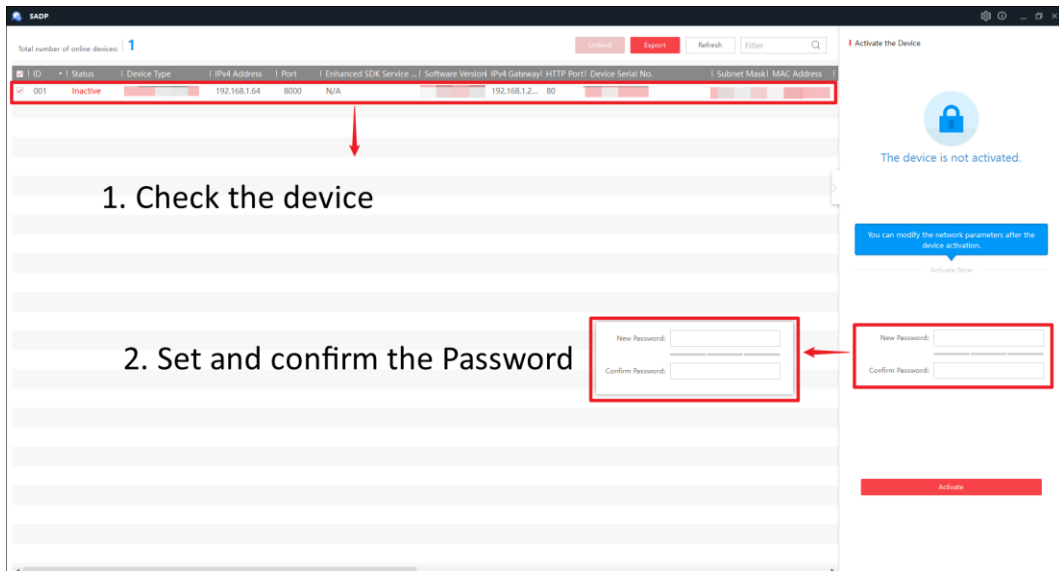


Figure 3-1 Activate Camera

Step 3 Modify the IP address of the device

Check the activated device, enter the IP address, subnet mask, gateway and other information in "Modify Network Parameters" on the right, and enter the password of the device. Click "Modify", and the prompt "Modify Network Parameters Successfully" indicates that the network parameter setting takes effect, as shown in Figure 3-2 .

 **Note**

When setting the IP address of the network camera, keep the IP address of the device and the IP address of the computer in the same network segment.

If you are using a webcam for the first time, it is recommended to add a custom user.

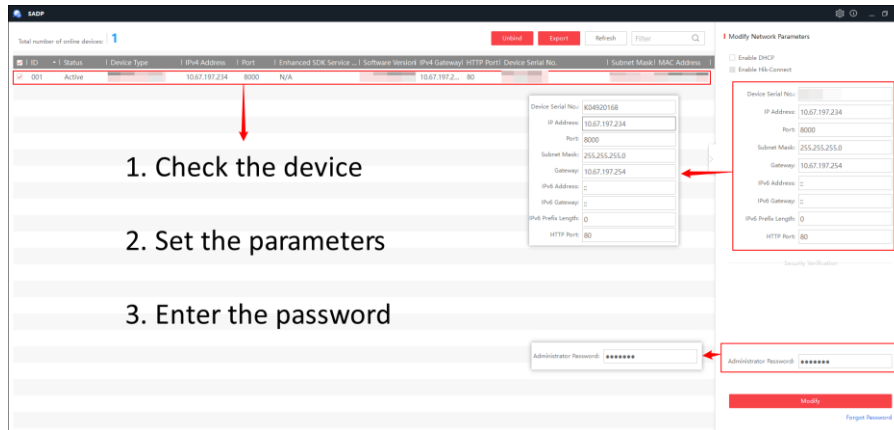


Figure 3-2 Modify Camera Information

Chapter 4 Maintenance Instruction

4.1 Lens Maintenance

The surface of the lens is coated with anti-reflection coating. When it is stained with dust, grease, fingerprints, etc., harmful substances will be produced, which will lead to its performance degradation or scratch, mildew, etc. Once dirt is found, please treat it as follows.

- Dust contamination: Use an oil-free soft brush or a blowing ball to gently bounce off dust.
- Grease contamination: gently wipe the water drops or oil with a soft cloth and dry it, then use oil-free cotton cloth or lens cleaning paper to soak it in alcohol or lens cleaning solution and wipe it from the center of the lens. If it is still not wiped, you can change cloth and wipe it several times.

4.2 Maintenance of Hemispherical Transparent Spherical Cover

The transparent spherical cover is made of transparent plastic. If it is stained with dust, grease, fingerprints, etc., the image performance will be degraded or the surface of the transparent spherical cover will be scratched. Once dirt is found, please treat it as follows.

- Dust contamination: Use an oil-free soft brush or a blowing ball to gently bounce off dust.
- Grease or fingerprints: gently wipe off the water drops or oil with a soft cloth and dry it, then wipe it from the center to the outside with oil-free cotton cloth or lens cleaning paper dipped in lens cleaning solution. If it is still not wiped, you can change cloth and wipe it several times.

4.3 Network Security Maintenance

It is recommended that you conduct regular network security assessment on the network camera system, and our company can provide corresponding professional technical services.

