

iDS-TCV900-HIM**9 MP DarkfighterX ANPR Checkpoint Capture Unit**

- High quality imaging with 9 MP resolution (1"GMOS × 2)
- Excellent low-light performance, Color: 0.0005 Lux @ (F1.4, AGC ON)
- Efficient H.265 compression technology
- 3D DNR technology delivers clean and sharp images
- Support license plate recognition (LPR)
- Vehicle feature recognition: vehicle type/color/manufacturer/license plate color recognition, no-plate vehicle capture
- Violation behaviors detection: driving on lane line, Illegal lane change, wrong-way driving detection, seatbelt and phone call, U-Turn, red light running, failing to yield for pedestrians, not following directional sign and stop vehicle on intersection detection.
- Application Scenarios: highway, tunnel, toll station, urban road, etc.

▪ Specification

Camera	
Image Sensor	9 MP (1" GMOS × 2)
Max. Resolution	4096 × 2160
Min. Illumination	Color: 0.0005 Lux @ (F1.4, AGC ON), 0 Lux with IR light
Shutter Time	7 us - 30000 us
Day & Night	24/7 color imaging
Lens	
Lens Type	Fixed focal lens, 25 mm
Focal Length & FOV	25 mm, Horizontal: 31.6°, vertical: 17.0°, Diagonal FOV: 35.4°
Focus	Manual
Iris Type	Manual
Aperture	F1.4-16
Illuminator	
Built-in Supplement Light Type	IR light
Built-in Supplement Light Range	Up to 30 m
Light Bead	3
External Supplement Light	Strobe and flash light
IR Wavelength	850 nm
Video	
Main Stream	60Hz: 30 fps (4096 × 2160, 3840 × 2160, 3392 × 2008, 3072 × 1728, 2688 × 1520, 1920 × 1200, 1920 × 1080P, 1280 × 720P), 50Hz: 25 fps (4096 × 2160, 3840 × 2160, 3392 × 2008, 3072 × 1728, 2688 × 1520, 1920 × 1200, 1920 × 1080P, 1280 × 720P),
Sub Stream	60 Hz: 30 fps (3392 × 2008, 2688 × 1520, 1920 × 1080P, 1280 × 720P) 50 Hz: 25 fps (3392 × 2008, 2688 × 1520, 1920 × 1080P, 1280 × 720P)
Third Stream	60 Hz: 30 fps (1920 × 1080P, 1280 × 720P) 50 Hz: 25 fps (1920 × 1080P, 1280 × 720P)
Video Compression	Main stream: H.265/H.264/MJPEG, Sub-stream: H.265/H.264/MJPEG, Third stream: H.265/H.264/MJPEG
Video Bit Rate	32 Kbps to 64 Mbps
H.264 Type	Baseline profile/Main profile/High profile
H.265 Type	Main profile
Network	
Protocols	TCP/IP, ICMP, HTTP, HTTPS, FTP, DNS, RTP, RTSP, RTCP, NTP, SNMP, 802.1X, IPv4/IPv6, UDP, ISUP, ARP, IGMP, SMTP
Simultaneous Live View	Up to 10 channels
API	ISAPI, SDK, ISUP, ONVIF (PROFILE S, PROFILE G, PROFILE T, PROFILE M)
User/Host	Up to 16 users 3 user levels: administrator, operator and user
Security	Password protection, Complicated password, HTTPS encryption, Control timeout settings, 802.1X authentication (EAP-PEAP, EAP-LEAP, EAP-MD5), Basic and digest authentication for HTTP/HTTPS, WSSE and digest authentication for Open Network Video Interface
Network Storage	Micro SD/TF card (512 GB), Local storage, CVR, NVR, ANR

Client	Hik-Central Master, Hik-Central Pro, HikCentral Master Lite
Web Browser	Chrome V61+, IE9 to IE11, Firefox V40+, Edge
Image	
Image Settings	Saturation, brightness, contrast, sharpness, AGC, and white balance are adjustable by client software or web browser.
Day/Night Switch	Auto, Schedule, Manual
SNR	60 dB
Image Enhancement	BLC, 3D DNR
Interface	
Ethernet Interface	2 RJ45 10 M/100 M/1000 M self-adaptive Ethernet interfaces
On-board Storage	Built-in memory card slot, supporting microSD/SDHC/SDXC card, up to 512 GB
Alarm	2 input interfaces (T1, SYNC), 7 output interfaces
RS-485	3 RS-485 interfaces (half duplex, HIKVISION)
RS-232	1 RS-232 interface
USB	1 USB 2.0 interface
Event	
Basic Event	HDD Error, Network disconnected, IP address conflicted, Traffic light detector exception
Road Traffic and Vehicle Detection	
Coverage	Up to 3 lanes
Trigger Mode	External I/O trigger/Radar trigger/Video trigger
LPR Countries/Regions	<p>Middle East: The United Arab Emirates (Abu Dhabi, Ajman, Dubai, Fujairah, Ras Al Khaimah, Sharjah and Umm Al Quwain), Qatar, Iran, Iraq, Egypt, Jordan, Kuwait, Saudi Arabia, Pakistan, Oman, Lebanon, Bahrain</p> <p>Africa: Nigeria, Kenya, Ivory Coast, South Africa, Tanzania, Mauritius, Morocco, Tunisia, Sierra Leone, Zambia, Ghana, Zimbabwe, Uganda, Angola, Ethiopia, Senegal, Algeria</p> <p>Asia-Pacific: Australia, New Zealand, Indonesia, Malaysia, Singapore, South Korea, Thailand, Vietnam, the Philippines, Hong Kong, Macao, Taiwan, Burma, India, Mongolia, Cambodia, Laos, Bangladesh</p> <p>America: The United States of America, Canada, Argentina, Chile, Paraguay, Uruguay, El Salvador, Bolivia, Colombia, Brazil, Ecuador, Peru, Mexico, Panama, Costa Rica, Trinidad and Tobago, the Dominican Republic, Guatemala</p> <p>Europe: Turkey, Croatia, Slovakia, Czech Republic, Bulgaria, the Republic of North Macedonia, Hungary, Greece, Poland, France, Netherlands, Switzerland, Spain, the UK, Ireland, Germany, Italy, Austria, Israel, Palestinian State, Belgium, Luxembourg, Albania, Kosovo</p> <p>Russian-Speaking Regions: Azerbaijan, Belarus, Kazakhstan, Lithuania, Georgia, Estonia, Latvia, Russia, Ukraine, Moldova, Uzbekistan, Kyrgyzstan, Armenia</p>
Motorcycle LPR	Supported

Smart Function	License plate recognition; Vehicle type classification, vehicle color recognition, no-plate vehicle capture, moving direction detection
No License Plate Detection	Supported
Accuracy (Under recommended installation and lighting conditions)	Capture rate > 99%, Vehicle moving direction recognition accuracy > 98.5%, LPR accuracy > 98%, Mistaken capture rate < 2%
Vehicle Color	Red, yellow, green, blue, pink, purple, cyan, brown, white, grey, black
Vehicle Manufacturer	212 Manufacturers: AC SCHNITZER, AITO, APOLLO, Ashok Leyland, Audi, Aston Martin, Acura, Ankai, Ayvip, Alfa Romeo, Asiastar, Artega, ARCFOX, BAIC, Beiben Truck, BLUECAR, Bedford, Benz, BMW, BYD, Bufori, Buick, Bently, Brabus, Bugatti, Borgward, BONLUCK, Besturn, CADILLAC, Celis, Chevrolet, Citroen, Chery, Chrysler, Chang an, CNHTC, CHTC, Caterham, Conquest, C&C Trucks, CAMC, DAIHATSU, DMC, DS, Dacia, Dongnan, Dodge, Dongwo, Denza, Dongfeng, Daewoo, Dima, Denway, DORCEN, Eicher, Emgrand, Equss, EXEED, Ford, FORO, Fornasari, Ferrari, Fuqi, Fiat, Fisker, FQT Motor, Foton, FAW, FORLAND, FUSO, Force Motors, Fxauto, Faralli Mazzanti, GAC, Great Wall, GMC, Geely, Geometry, Hyundai, HENNESSEY, HINO, Honda, Haima, Haval, Hongqi, Isuzu, Infiniti, Iveco, IAT, IM, JAC, JBC, JEEP, Jaguar, JMC, JETOUR, JETTA, Joylong ,Koenigsegg, KIA , Kia-Borrego, King Long, Kama, KTM, LEVC, Lexus, Land Rover, Lincoln, Lamborghini, Lotus, Luxgen, Levdeo, Leopaard, Lynk & Co , Lada, Leading Ideal, LEAPMOTOR, LUMMA, Lorinser, Land Wind, MAN Trucks, MAXUS, MG, MINI, Mahindra, Mitsuoaka, Maserati, Meiya , McLaren, Maybach, Mazda, Morgan, Mitsubishi, Mustang, Marvel R, Maple, MANSORY, Modern, NOMA, Nissan, Norinco, Neoplan, NIO, NETA, Opel, Ora, Oushang, Perodua, Porsche, Peugeot, PGO, Proton, Pagani, Polestar, POCCO, Qoros, RAM, Rolls-Royce, Renault, Roewe, Rohens, Ranz, Ruilan, Radar, Renault Samsung, SAAB, SCANIA, SCION, SMART, SML ISUZU, Suzuki, SAIC Datong, Subaru, Skoda, Startek, Soyat, Seat, SWM, Sany, SsangYong, Sojen, Silver, SATE, SOL, Skyworth, SGMW, SITECH DEV, TATA, Tankar, Tesla, Trumpchi, Techart, Toyota, UD, UAES, Volkswagen, VINFAST, Venucia, Volvo, VOYAH, VeiculoLongo, Weltmeister, XCMG, Xinyuan, XPENG, Yutong, YAMAHA, Zhonghua, Zotye, Zhinuo, ZEEKR, Zenvo
Driving on Lane Line Detection	Supported (only strobe light mode)
License Plate Color Recognition	Customized to support
Vehicle Type	Car/Van/Bus/Truck/Light Truck/SUV_MPV/Pickup/Pedestrian/Motorcycle/Tricycle
Phone Call Detection	Supported (with flash supplement light)
U-Turn	Support (Only E-Police mode)
Failing to Yield for Pedestrians	Support (Only E-Police mode)
Red Light Running	Support (Only E-Police mode)
Stop Vehicle on Intersection	Support (Only E-Police mode)
Not Following Directional Sign	Support (Only E-Police mode)
Lane Change Detection	Supported (only strobe light mode)
Wrong-way Driving Detection	Supported
Emergency Lane Occupation	Supported (truck forbidden lane, emergency lane, urban bus lane)
Seatbelt Detection	Supported (with flash supplement light)
Capture Speed Range	10 to 320 km/h

General	
Operating System	Linux
Power	180 to 240 VAC, 3.5 A, max. 39 W, three-core terminal block
Material	Aluminum alloy
Dimension	501 mm × 175.6 mm × 144.6 mm (19.72" × 6.92" × 5.69") (L × W × H)
Package Dimension	667 mm × 357 mm × 224 mm (26.26" × 14.06" × 8.82") (L × W × H)
Weight	Approx. 5.13 kg (11.31 lb.)
With Package Weight	Approx. 7.40 kg (16.31 lb.)
Operating Condition	- 30 °C to 70 °C (- 22 °F to 158 °F). Humidity: 5% to 95% (non-condensing)
Storage Condition	- 30 °C to 70 °C (- 22 °F to 158 °F). Humidity: 5% to 95% (non-condensing)
General Function	Password protection, Three streams, Heartbeat, One-key reset, Pixel counter
Language	8 languages: English, Thai, Croatian, Korean, Russian, Traditional Chinese, Ukrainian, Spanish
Approval	
EMC	CE-EMC: EN 55032: 2015 + A11: 2020 + A1: 2020, EN IEC61000-3-2: 2019 + A1: 2021, EN 61000-3-3: 2013 + A1: 2019 + A2: 2021, EN 50130-4: 2011 + A1: 2014
Safety	CE-LVD: EN 62368-1: 2014 + A11: 2017, CB: IEC 62368-1: 2014, CB: IEC 62368-1: 2018, CE-LVD: EN IEC 62368-1: 2020 + A11: 2020
Environment	CE-RoHS: 2011/65/EU, WEEE: 2012/19/EU, Reach: Regulation (EC) No 1907/2006
Protection	IK10: IEC 62262: 2002, IP67: IEC 60529-2013

▪ Typical Application

Hikvision products are classified into three levels according to their anti-corrosion performance. Refer to the following description to choose for your using environment.

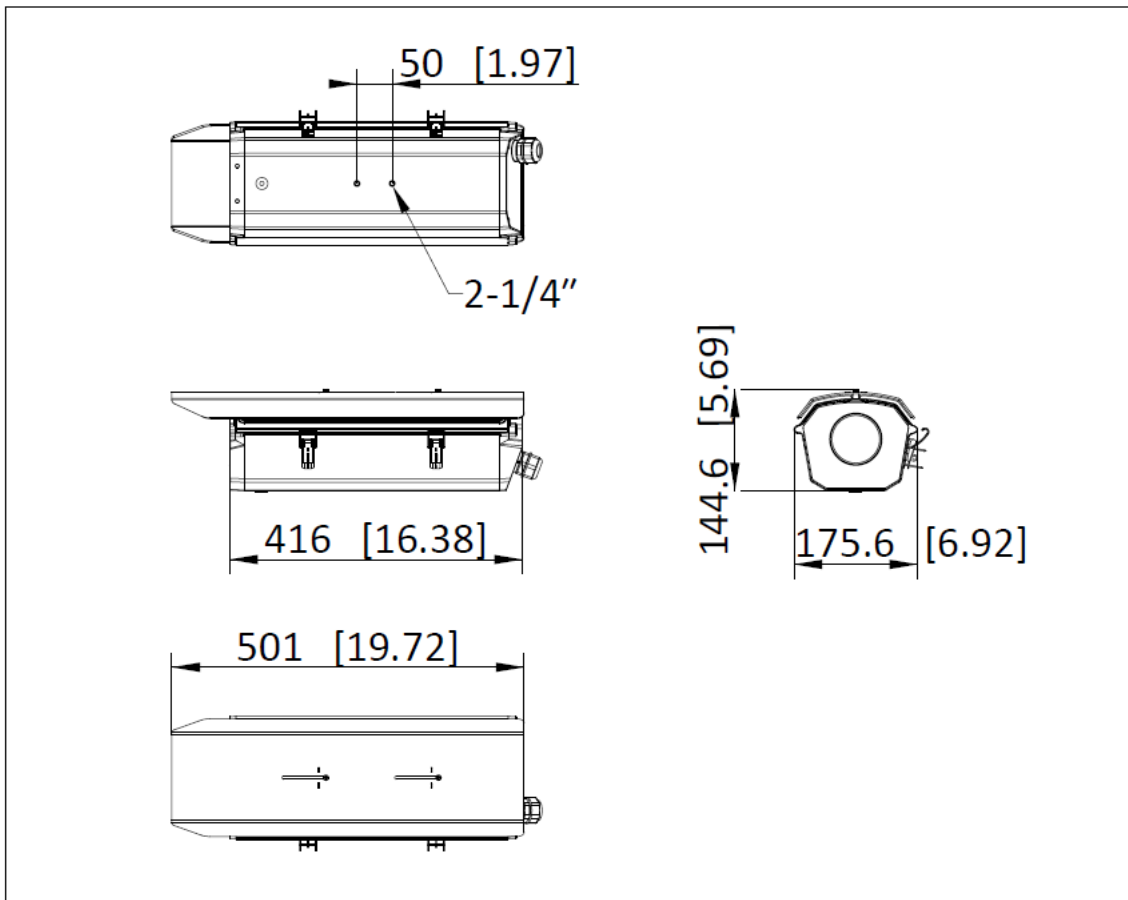
This model has NO SPECIFIC PROTECTION.

Level	Description
Top-level protection	Hikvision products at this level are equipped for use in areas where professional anti-corrosion protection is a must. Typical application scenarios include coastlines, docks, chemical plants, and more.
Moderate protection	Hikvision products at this level are equipped for use in areas with moderate anti-corrosion demands. Typical application scenarios include coastal areas about 2 kilometers (1.24 miles) away from coastlines, as well as areas affected by acid rain.
No specific protection	Hikvision products at this level are equipped for use in areas where no specific anti-corrosion protection is needed.

▪ Available Model

iDS-TCV900-HIM/25/H1

▪ Dimension



Lx Wx H:501mmx 175.6mmx 144.6mm(19.72x 6.92x 5.69)

Camera Mounting Hole[mm]	Camera Mounting Hole[inch]	Unit: mm [inch]	
2-6.35	2-1/4"	SCALE	1:1

▪ Accessory

▪ Included

DS-1232ZJ-T/BJH
Cardan Joint



▪ Optional

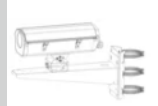
DS-1275ZJ/HWB
Hoop & Bracket



DS-1278ZJ-HWB
Hoop & Bracket



DS-1701ZJ/HKB
Hoop & Bracket



See Far, Go Further



www.hikvision.com
support@hikvision.com

