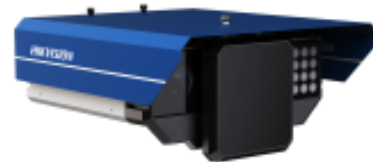


## iDS-TCS907-FER 9 MP All-Rounder Incident Detection Camera



High quality imaging with 9 MP resolution (1"GMOS) & 80 GHz precise radar

- H.264/H.265 High Profile encoding, maximum Full HD 4096 × 2160 @ 50 fps real-time image output
- Color: 0.001 Lux @ (F1.4, AGC ON)
- 3D DNR technology delivers clean and sharp images
- Supports multi-target vehicle trajectory detection and target visualization
- Supports multiple incidents detection: Stopped Vehicle, Driving on the Lane Line, Lane Change, Continuous Lane Change, Wrong-Way Driving, Speeding, Low-Speed, Congestion, Construction, Roadblock, Pedestrian, Fallen Object, Emergency Lane Occupation, Smoke, Fire, Occupied by Animal.
- Supports multiple traffic parameters collection: Traffic Flow, Average Speed, Traffic State, Lane Queue Length, Time Interval of Vehicle Head, Headway Distance, Lane Space Occupancy, Lane Time Occupancy
- Supports two application scenarios: highway and urban expressway

## ▪ Specification

| Camera                          |  |
|---------------------------------|--|
| Image Sensor                    | 1" GMOS  |
| Max. Resolution                 | 4096 × 2160  |
| Min. Illumination               | Color: 0.001 Lux @ (F1.4, AGC ON)  |
| Shutter Time                    | 7 us - 20000 us  |
| Lens                            |  |
| Lens Type                       | Fixed focal lens, 25 mm  |
| Focal Length & FOV              | 25 mm, horizontal FOV 32°, vertical FOV 16.8°, diagonal FOV 36.3°  |
| Focus                           | Auto   |
| Aperture                        | F1.6-C   |
| Illuminator                     |  |
| Built-in Supplement Light Type  | White light  |
| Supplement Light Number         | 16   |
| Built-in Supplement Light Range | Up to 40 m   |
| External Supplement Light       | Strobe light   |
| Radar                           |  |
| Working Frequency               | 79 to 81 GHz   |
| Modulation Waveform             | FMCW   |
| Horizontal Detection Angle      | ± 14° @ Narrow Beam, ± 60° @ Wide Beam   |
| Vertical Detection Angle        | ± 4.5° @ Narrow Beam, ± 12.6° @ Wide Beam  |
| Angle Resolution                | 1.8° @ Narrow Beam, 6.2° @ Wide Beam   |
| Sweep Bandwidth                 | 169 MHz @ Narrow Beam, 500 MHz @ Wide Beam   |
| Speed Measurement Accuracy      | ± 2 km/h   |
| Speed Measuring Range           | - 250 to + 250 km/h  |
| Detection Distance              | 20 to 350 m  |
| Antenna Beam Width              | 35° × 16°  |
| Trigger Consistency             | ≤ ± 1 m  |
| Trigger Mode                    | Approaching direction, Leaving direction, Bidirection  |
| Coverage Lanes                  | Up to 4 lane(s)  |
| Video                           |  |
| Main Stream                     | 50 Hz: 50 fps (4096 × 2160, 3840 × 2160, 3392 × 2008, 3072 × 1728, 2688 × 1520, 1920 × 1080, 1280 × 720)<br>60 Hz: 30 fps (4096 × 2160, 3840 × 2160, 3392 × 2008, 3072 × 1728, 2688 × 1520, 1920 × 1080, 1280 × 720) |
| Sub-Stream                      | 50 Hz: 50 fps (3392 × 2008, 2688 × 1520, 1920 × 1080, 1280 × 720)<br>60 Hz: 30 fps (3392 × 2008, 2688 × 1520, 1920 × 1080, 1280 × 720)   |
| Third Stream                    | 50 Hz: 50 fps (1920 × 1080, 1280 × 720, 704 × 576)<br>60 Hz: 30 fps (1920 × 1080, 1280 × 720, 704 × 576)   |
| Video Compression               | Main stream: H.265/H.264/MJPEG,<br>Sub-stream: H.265/H.264/MJPEG,<br>Third stream: H.265/H.264/MJPEG   |
| Video Bit Rate                  | 32 Kbps to 16 Mbps   |
| H.264 Type                      | Baseline profile/Main profile/High profile   |
| H.265 Type                      | Main profile   |
| Scalable Video Coding (SVC)     | H.264 and H.265 encoding   |

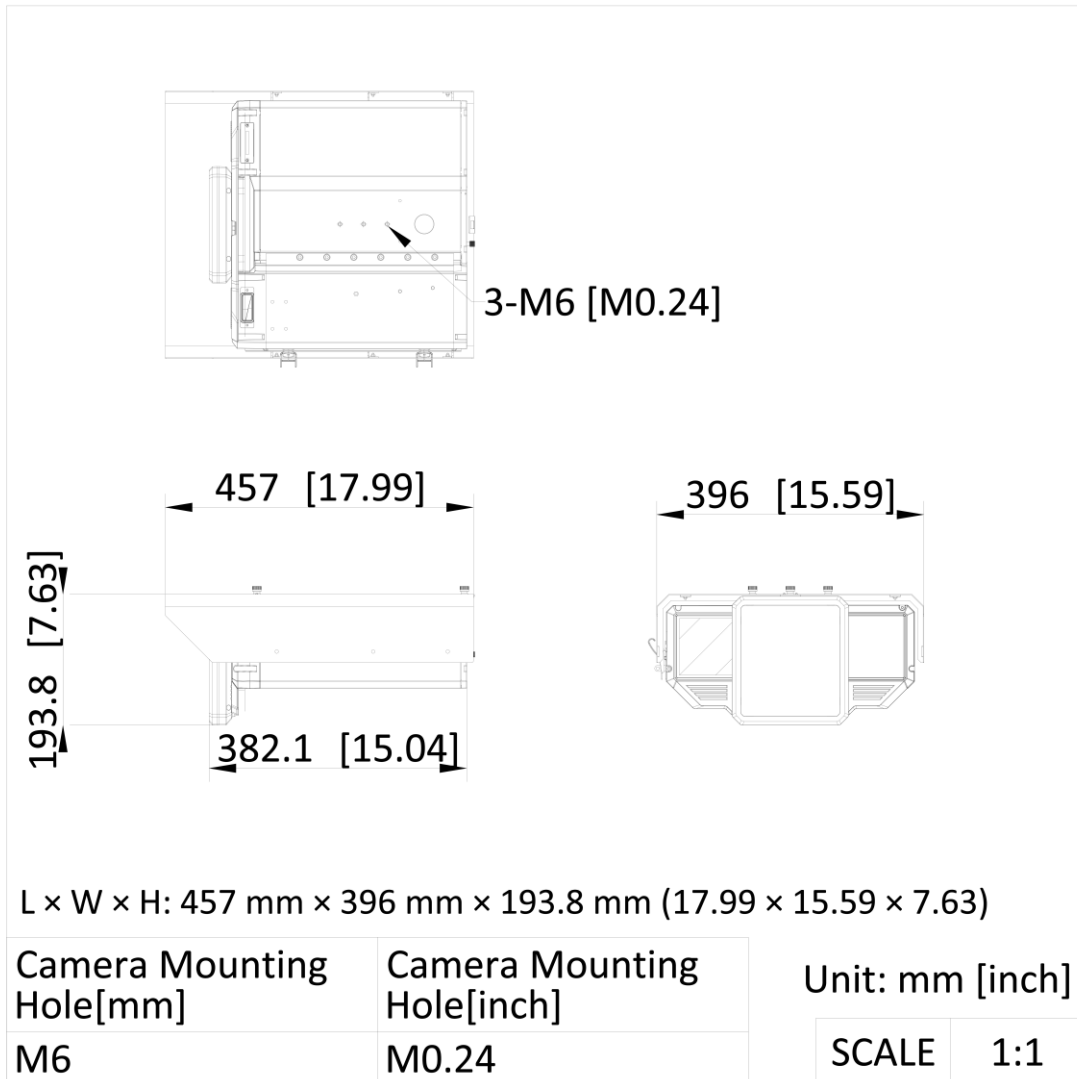
| <b>Network</b>                                      |   |
|---|---|
| Protocols   | TCP/IP, HTTP, HTTPS, DDNS, RTSP, NTP, FTP, SFTP, DHCP, DNS, RTP, IPv4/IPv6, UDP, SSL/TLS, ICMP, RTCP, SNMP, IGMP, 802.1X, QoS, ISUP, ARP  |
| Simultaneous Live View                              | Up to 6 channels  |
| API   | ONVIF (PROFILE S, PROFILE G, PROFILE T), ISAPI, SDK, ISUP   |
| User/Host   | Up to 32 users, 3 user levels: administrator, operator, and user  |
| Security  | Password protection<br>Complicated password<br>HTTPS encryption<br>Watermark<br>Basic and digest authentication for HTTP/HTTPS<br>RTP/RTSP over HTTPS<br>Control timeout settings<br>Security audit log<br>IP address filter<br>WSSE and digest authentication for ONVIF<br>Host authentication (MAC address) |
| Network Storage                                     | Micro SD/TF card (512 GB), Local storage, CVR, NVR, ANR   |
| Client  | Hik-Central Master, HikCentral Master Lite, Hik-Central Pro   |
| Web Browser   | Chrome V61+, IE9 to IE11, Firefox V41+, Edge  |
| <b>Image</b>  |   |
| Image Settings                                      | Saturation, brightness, contrast, sharpness, AGC, and white balance are adjustable by client software or web browser  |
| Day/Night Switch                                    | Auto, Schedule, Manual  |
| Image Enhancement                                   | BLC, 3D DNR   |
| <b>Supplement Detection (Satellite Positioning)</b> |   |
| Satellite Positioning                               | GPS (optional)  |
| <b>Interface</b>                                    |   |
| Ethernet Interface                                  | 1 RJ45 10 M/100 M/1000 M self-adaptive Ethernet interface   |
| RS-232  | 1 RS-232  |
| RS-485  | 1 RS-485 interfaces (half duplex, HIKVISION)  |
| USB   | 1 USB 2.0 (5.0 V, 1.0 A) interface(s)   |
| Alarm   | 6 output interfaces (5 V, level signal)   |
| On-Board Storage                                    | Built-in memory card slot, supporting microSD/SDHC/SDXC card, up to 512 GB  |
| Indicator   | Supported   |
| <b>Event</b>  |   |
| Basic Event   | HDD Error, network disconnected, IP address conflicted, vehicle detector exception, traffic light detector exception  |
| <b>Road Traffic and Vehicle Detection</b>           |   |
| Coverage  | Up to 4 lanes   |
| Trigger Mode  | Video trigger   |

|                     |  |
|---------------------|--|
| Smart Function      | <p>Supports multiple incidents detection: Stopped Vehicle, Driving on the Lane Line, Lane Change, Continuous Lane Change, Wrong-Way Driving, Speeding, Low-Speed, Congestion, Construction, Roadblock, Pedestrian, Fallen Object, Emergency Lane Occupation, Smoke, Fire, Occupied by Animal.</p> <p>Supports multiple traffic parameters collection: Traffic Flow, Average Speed, Traffic State, Lane Queue Length, Time Interval of Vehicle Head, Headway Distance, Lane Space Occupancy, Lane Time Occupancy.</p> |
| <b>General</b>      |  |
| Operating System    | Linux  |
| Power               | DC 36 V ± 20%, 1.9 A, max. 70 W, 2-core terminal block   |
| Material            | Aluminum alloy   |
| Dimension           | 457 mm × 396 mm × 193.8 mm (17.99" × 15.59" × 7.63") (L × W × H)   |
| Package Dimension   | 535 mm × 500 mm × 390 mm (21.06" × 19.68" × 15.35") (L × W × H)  |
| Weight              | Approx. 9.4 kg (20.7 lb.)  |
| With Package Weight | Approx. 15.2 kg (33.5 lb.)   |
| Operating Condition | - 30 °C to 70 °C (22 °F to 158 °F). Humidity 95% or less (non-condensing)  |
| Storage Condition   | - 30 °C to 70 °C (- 22 °F to 158 °F). Humidity 95% or less (non-condensing)  |
| General Function    | Heartbeat, Password protection, NTP time adjustment, One-key reset, Watermark  |
| Language            | 8 languages: English, Thai, Croatian, Korean, Russian, Traditional Chinese, Ukrainian, Spanish   |
| <b>Approval</b>     |  |
| RF                  | CE-RED: EN 301489-1 V2.2.3, EN 301489-3 V2.1.1, EN 301489-17 V3.2.4, EN 301489-52 V1.2.1, EN 302264-1 V1.1.1, EN 302264-2 V1.1.1, EN IEC 62311: 2020   |
| EMC                 | CE-EMC: EN 55032: 2015/A11: 2020 + A1: 2020, EN IEC61000-3-2: 2019/A1: 2021, EN 61000-3-3: 2013 + A1: 2019/A2: 2021, EN 50130-4: 2011 + A1: 2014   |
| Safety              | CE-LVD: EN 61010-1: 2010 + A1: 2019<br>CB: IEC 61010-1: 2010; IEC 61010-1: 2010/AMD1: 2016   |
| Environment         | CE-RoHS: 2011/65/EU, WEEE: 2012/19/EU, Reach: Regulation (EC) No 1907/2006   |
| Protection          | IK10: IEC 62262: 2002, IP67: IEC 60529-2013  |

## ▪ Available Model

iDS-TCS907-FER/350m/25(AF)

▪ **Dimension**


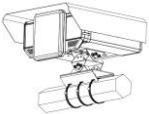


▪ **Accessory**

▪ **Included**



▪ **Optional**

| <b>DS-1275ZJ-BJH/600mm</b><br><b>Hoop &amp; Bracket</b>                             | <b>DS-1701ZJ/BJH</b><br><b>Hoop &amp; Bracket</b>                                   | <b>DS-1278ZJ-BJH</b><br><b>Hoop &amp; Bracket</b>                                    |
|---|---|--|
|   |    |   |
|  |  |  |

# See Far, Go Further



[www.hikvision.com](http://www.hikvision.com)  
[support@hikvision.com](mailto:support@hikvision.com)

