

**DS-KAB673-WEQR  
Peripheral Module**

- Supports call function
- Supports controlling door by keyfob
- Applicable with DS-K1T673 series.

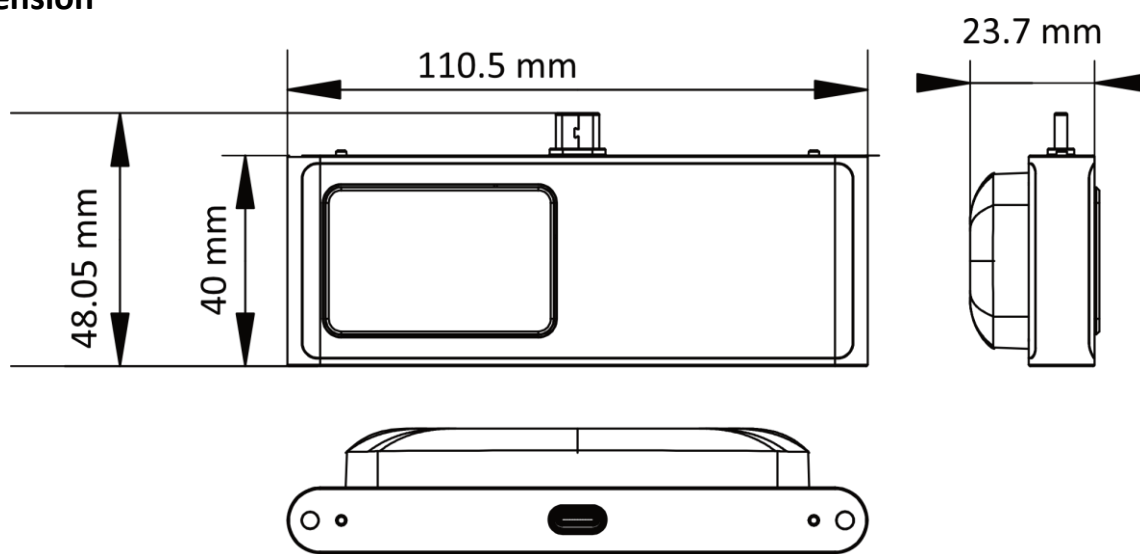
▪ **Specification**

General	
Working temperature	-30 °C to 60 °C (-22 °C to 140 °F)
Dimensions	110.5 mm × 23.7 mm × 48.1 mm (4.35" × 0.93" × 1.89")
Working humidity	0 to 90% (no condensing)
Function	
Barcode recognition	Support Format: Code 128, Interleaved 2 of 5, Matrix 2 of 5 , Code 39, Codebar, Code 9 and UCC/EAN-128
QR code recognition	Support

▪ **Available Model**

DS-KAB673-WEQR

▪ **Dimension**



**Headquarters**

No.555 Qianmo Road, Binjiang District,  
Hangzhou 310051, China  
T +86-571-8807-5998  
www.hikvision.com



Follow us on social media to get the latest product and solution information.

