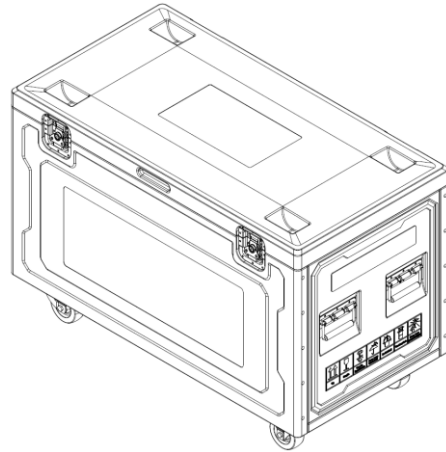


DS-D47XXCF-1A/P/A1
DS-D47XXCF-1A/P/A1



P2.9 500 mm × 1000 mm outdoor rental LED cabinet spare parts package, including cables, spare modules, spare power supplies, maintenance spare parts, packaged in aviation case.

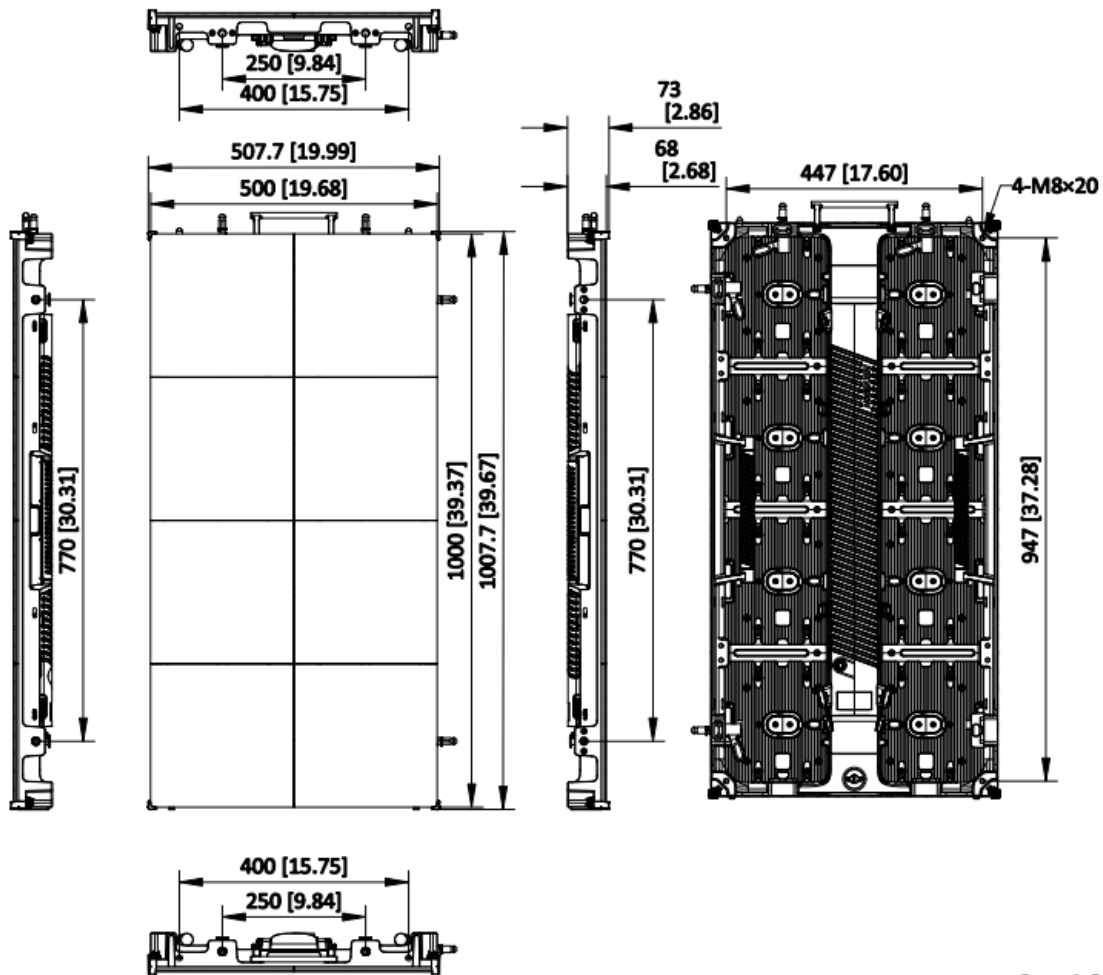
▪ Specification

Product Type	
Product Type	Spare & Cables Flight Case
General	
Package Dimension (W × H × D)	1092 (W) mm × 580 (H) mm × 610 (D) mm
Packing List	power supplies x4, receiving cards x2, HUB boards x2, main power cables x4, main data cables x4, power cable between cabinets x42, data cable between cabinet x42, fixation paltes x40, etc.
Gross Weight	72.8 kg/1 in 1 (160.5 lb.)

▪ Available Model

DS-D47XXCF-1A/P/A1

▪ Dimension



Unit: mm [inch]

SCALE 1:2

▪ Accessory



DS-D4729CF-1AC/P

See Far, Go Further



www.hikvision.com
support@hikvision.com

