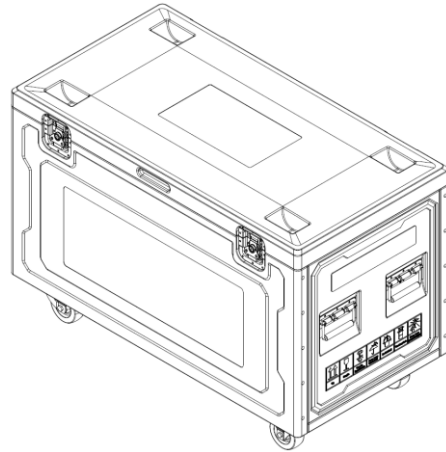


**DS-D47XXCD-1A/A1**  
**DS-D47XXCD-1A/A1**



**P2.9 500 mm × 500 mm outdoor rental LED cabinet spare parts package, including cables, spare modules, spare power supplies, maintenance spare parts, packaged in aviation case.**

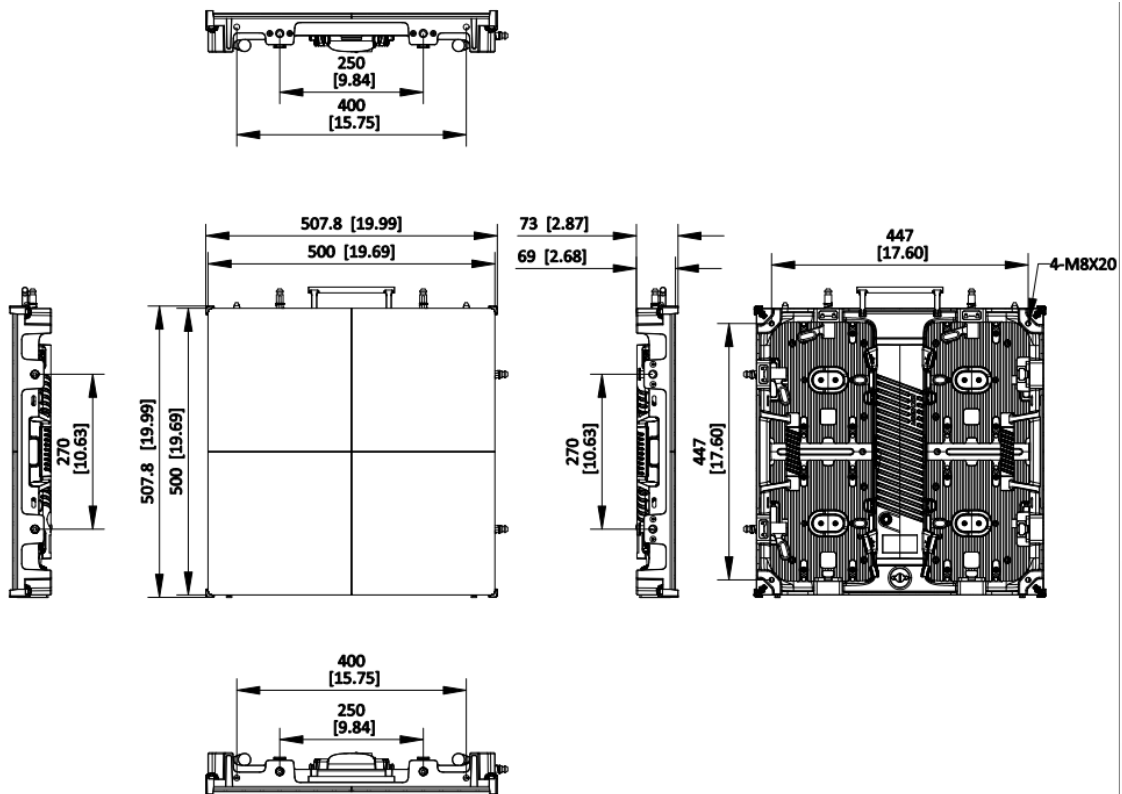
## ▪ Specification

Product Type	
Product Type	Spare & Cables Flight Case
General	
Package Dimensions (W × H × D)	1092 (W) mm × 580 (H) mm × 610 (D) mm
Packing List	power supplies x4, receiving cards x4, HUB boards x4, main power cables x5, main data cables x4, power cable between cabinets x82, data cable between cabinet x82, fixation paltes x80, etc.
Gross Weight	88 kg/1 in 1 (194.01 lb.)

## ▪ Available Model

DS-D47XXCD-1A/A1

## ▪ Dimension



Unit: mm [inch]

SCALE 1:2

## ▪ Accessory



DS-D4729CD-1AC



DS-D4729CD-1A

# See Far, Go Further



[www.hikvision.com](http://www.hikvision.com)  
[support@hikvision.com](mailto:support@hikvision.com)

