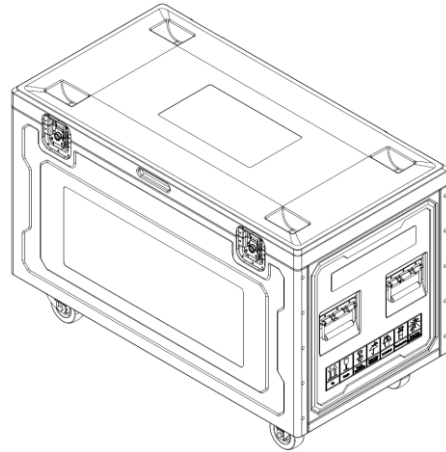


DS-D46XXCF-1A/A1
DS-D46XXCF-1A/A1



- 5% Spare part package for 20 sqm (compatible with DS-D4629CF-1A, DS-D4629CF-1AC) with accessories accounting: indoor P2.9 modules x 16, power supplies x4, receiving cards x4, HUB boards x4, main power cables x4, main data cables x4, power cable between cabinets x42, data cable between cabinet x42, maintenance LED beads x1200, ICs x80, mask x 64, etc.

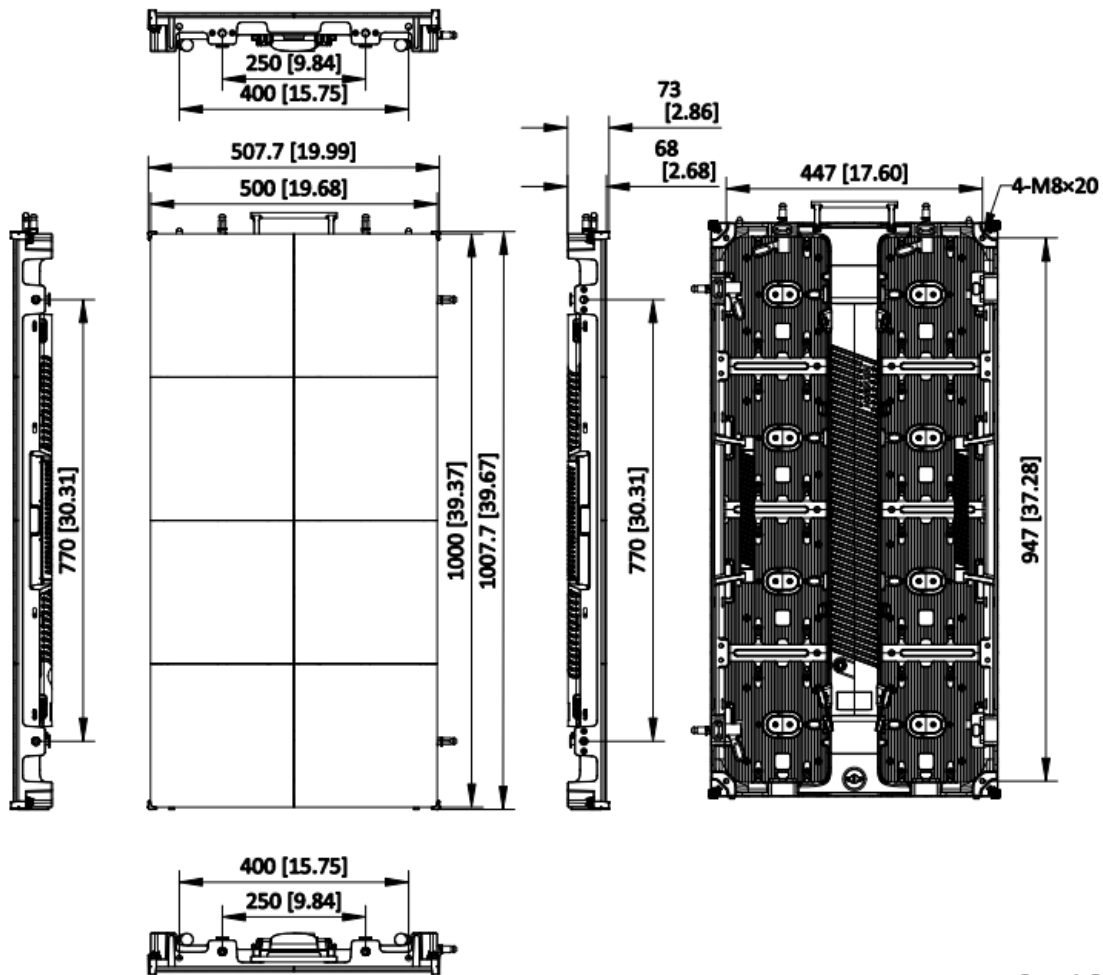
▪ Specification

Product Type	
Product Type	Spare & Cables Flight Case
General	
Package Dimension (W × H × D)	1092 (W) mm × 580 (H) mm × 610 (D) mm
Packing List	power supplies x4, receiving cards x2, HUB boards x2, main power cables x4, main data cables x4, power cable between cabinets x42, data cable between cabinet x42, fixation paltes x40, etc.
Gross Weight	68.2 kg/1 in 1 (150.36 lb.)

▪ Available Model

DS-D46XXCF-1A/A1

▪ Dimension



Unit: mm [inch]

SCALE 1:2

▪ Accessory



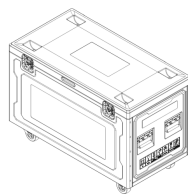
DS-D4629CF-1AC



DS-D4629CF-1A



DS-D4629CF-1AC/P



DS-D46XXCF-1A/P/A1

See Far, Go Further



www.hikvision.com
support@hikvision.com

