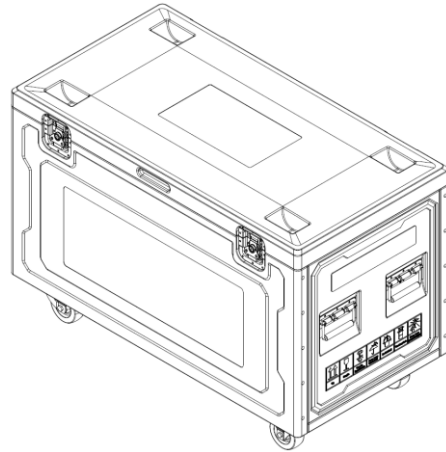


DS-D46XXCD-1A/A1
DS-D46XXCD-1A/A1



- 5% Spare part package for 20 sqm (compatible with DS-D4626CD-1A, DS-D4626CD-1AC) with accessories accounting: indoor P2.6 modules x 16, power supplies x4, receiving cards x4, HUB boards x4, main power cables x4, main data cables x5, power cable between cabinets x82, data cable between cabinet x82, maintenance LED beads x1200, ICs x80, mask x 64, etc.

▪ Specification

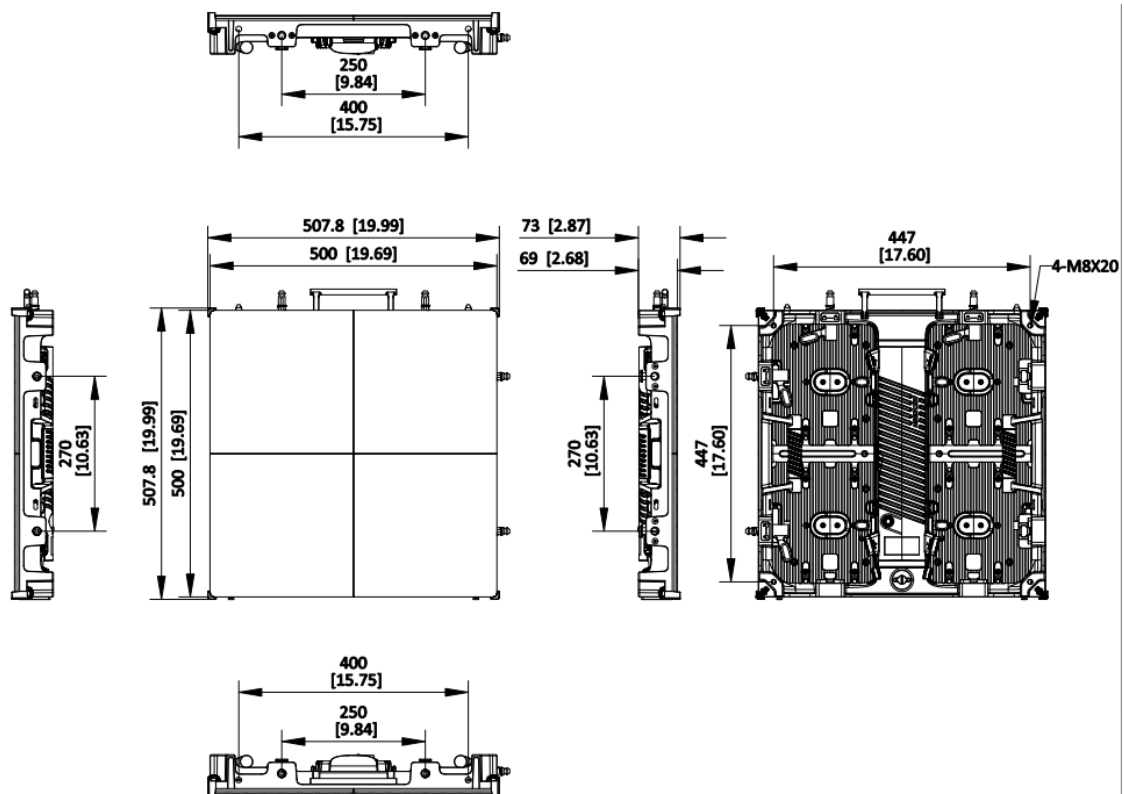
Product Type	
Product Type	Spare & Cables Flight Case
General	
Package Dimension (W × H × D)	1092 (W) mm × 580 (H) mm × 610 (D) mm
Packing List	power supplies x4, receiving cards x4, HUB boards x4, main power cables x4, main data cables x5, power cable between cabinets x82, data cable between cabinet x82, fixation plates x80, etc.
Gross Weight	87 kg/1 in 1 (190.7 lb.)

▪ Available Model

DS-D46XXCD-1A/A1

DS-D4626CD-1A/A1/NOVA

▪ Dimension



Unit: mm [inch]

SCALE	1:2
-------	-----

▪ Accessory



DS-D4626CD-1AC



DS-D4626CD-1A

See Far, Go Further



www.hikvision.com
support@hikvision.com

