

DS-D4629CD-1A/P/M
DS-D4629CD-1A/P/M



- Feather light and thin: the weight of cabinet 500 × 500mm < 6.9kg, thickness only 69mm
- Creative Splicing: Optional $\pm 10^\circ$ integrated curve lock, 500 × 500mm and 500 × 1000mm cabinets can be spliced vertically, 45° cut corner cabinets and flexible curved cabinets will be released
- High image quality: Up to 1000nit brightness for indoor product, 7680Hz high refresh rate, excellent contrast and color performance for an immersive stage experience
- Faster installation & Easier maintenance: Modular design with special eject button, all components can be quickly assembled, disassembled and maintained within 5 seconds
- Concise appearance and sturdy cabinet design, focusing on providing one-stop solution for all your LED display needs: conferences, stages, product launches and real estate activities

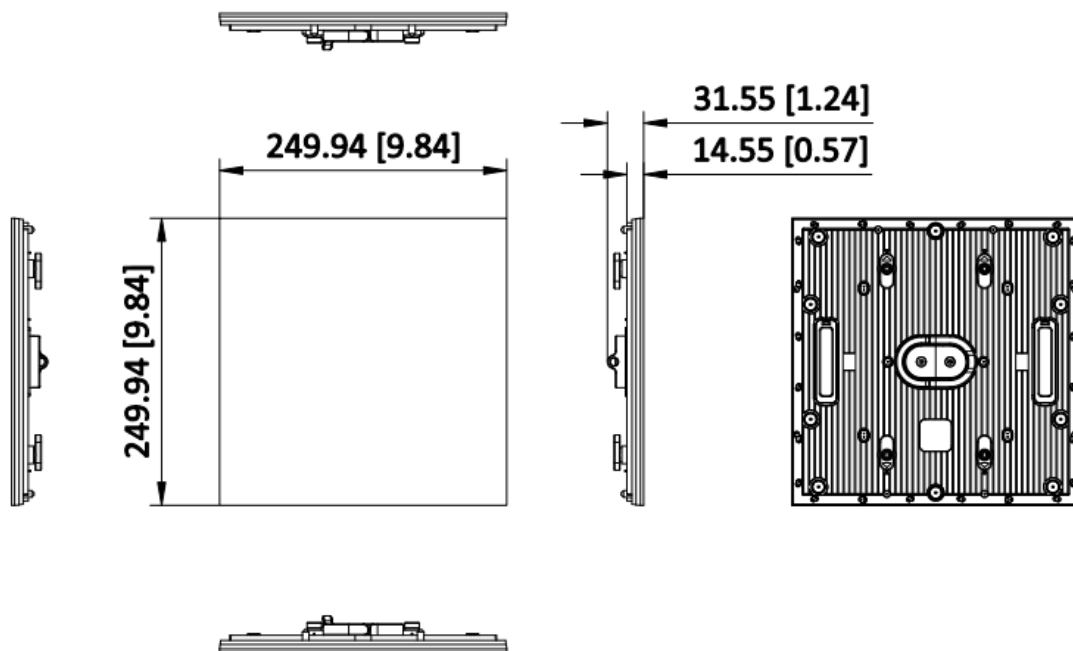
▪ Specification

Product Type	
Product Type	Spare Modules Package
Display	
White Balance Brightness	1000 cd/m ²
Color Temperature	6500K adjustable
Viewing Angle	Horizontal 160°, vertical 140°
Contrast Ratio	≥ 6000:1
Color Uniformity	≤ ± 0.004Cx , Cy
Brightness Uniformity	≥ 97%
Cabinet	
Pixel Configuration	SMD Triad LED
Pixel Pitch Category	P2.9
Pixel Pitch	2.9762 mm
Resolution	84x84
Pixel Density	112896 dots/m ²
Lamp Board Housing	With housing
Maintenance Method	Front&Rear maintenance
Key Material	
Lamp Encapsulation	SMD2020
Control System	Hikvision
Processing Performance	
Frame Frequency	50/60 Hz
Refresh Rate	7680 Hz
Grey Level	14 bit
Working Environment	
Working Temperature	-20 °C to +45 °C (-4°F to +113 °F)
Working Humidity	10%~90%RH (No condensation)
Storage Humidity	10%~90%RH (No condensation)
Storage Temperature	-40 °C to +60 °C (-40°F to +140 °F)

▪ Available Model

DS-D4629CD-1A/P/M

▪ Dimension



Unit: mm [inch]

SCALE	1:1
-------	-----

▪ Accessory



DS-D4629CD-1AC/P



DS-D4629CF-1AC/P



DS-D46XXCF-1A/P/A1

See Far, Go Further



www.hikvision.com
support@hikvision.com

