

DS-D4626CD-1A/M**250*250/aries rental indoor spare module P2.6**

- Feather light and thin: the weight of cabinet 500 × 500mm < 6.9kg, thickness only 69mm
- Creative Splicing: Optional $\pm 10^\circ$ integrated curve lock, 500 × 500mm and 500 × 1000mm cabinets can be spliced vertically, 45° cut corner cabinets and flexible curved cabinets will be released
- High image quality: Up to 1000nit brightness for indoor product, 3840Hz high refresh rate, excellent contrast and color performance for an immersive stage experience
- Faster installation&Easier maintenance: Modular design with special eject button, all components can be quickly assembled, disassembled and maintained within 5 seconds
- Concise appearance and sturdy cabinet design, focusing on providing one-stop solution for all your LED display needs: conferences, stages, product launches and real estate activities

▪ Specification

Product Type	
Product Type	Spare LED Module
Cabinet	
Pixel Configuration	SMD Triad LED
Pixel Pitch Category	P2.6
Pixel Pitch	2.6042 mm
Resolution	96x96
Pixel Density	147456 dots/m ²
Lamp Board Housing	With housing
Maintenance Method	Front&Rear maintenance
Key Material	
Lamp Encapsulation	SMD1515
Control System	Hikvision
Display	
White Balance Brightness	1000 cd/m ²
Color Temperature	6500K adjustable
Viewing Angle	Horizontal 160°, vertical 140°
Contrast Ratio	≥ 6000:1
Color Uniformity	≤ ± 0.004Cx , Cy
Brightness Uniformity	≥ 97%
Processing Performance	
Frame Frequency	50/60 Hz
Refresh Rate	7680 Hz
Grey Level	14 bit
Working Environment	
Working Temperature	-20 °C to +40 °C (-4°F to +104 °F)
Working Humidity	10%~95%RH (No condensation)
Storage Humidity	10%~95%RH (No condensation)
Storage Temperature	-20 °C to +40 °C (-4°F to +104 °F)

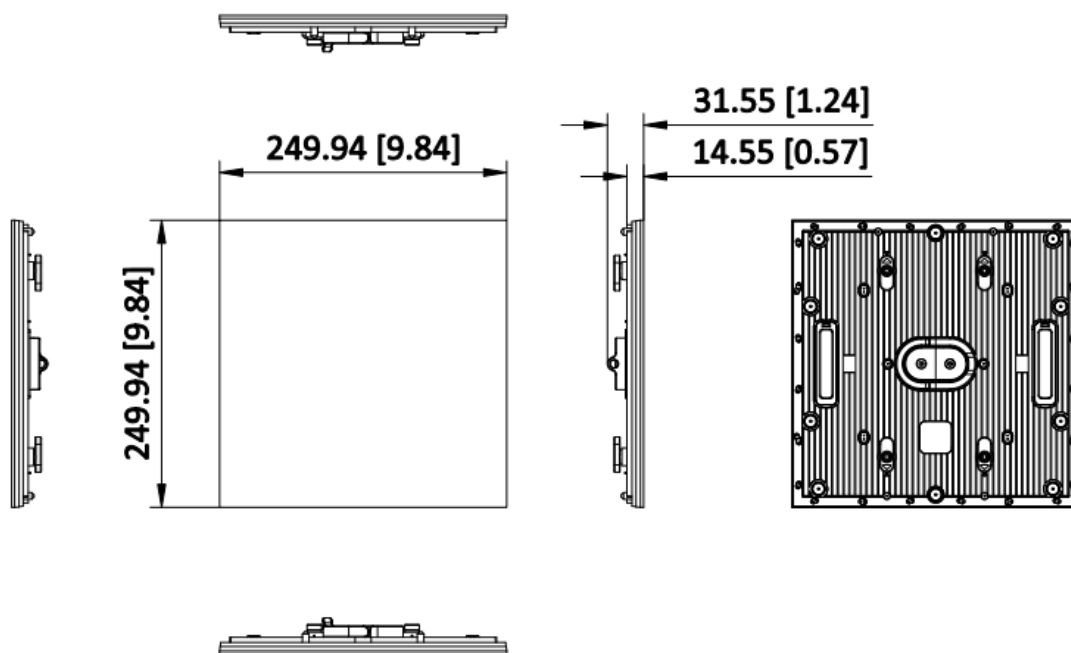
*Spare module package: size 250x250mm, each carton include 1 pc. Used to supplement the 5% spare module in the spare parts package.

*Compatible with DS-D4626CD-1A & DS-D4626CD-1AC.

▪ Available Model

DS-D4626/i/indoor module

▪ Dimension



Unit: mm [inch]

SCALE	1:1
-------	-----

▪ **Accessory**



DS-D4626CD-1A



DS-D4626CD-1AC

See Far, Go Further



www.hikvision.com
support@hikvision.com

