

## DS-2CD6445G1-L30 4 MP Separated Network Camera Lens



- High quality imaging with 4 MP resolution
- Separated and small lens for easy installation
- Clear imaging against strong back light due to DWDR technology

## ▪ Specification

Camera	
Image Sensor	1/2.7" Progressive Scan CMOS
Max. Resolution	2688 × 1520
Min. Illumination	Color: 0.005 Lux @ (F1.2, AGC ON)
Lens	
Focal Length & FOV	L30 model: 2 mm, horizontal FOV 128°, vertical FOV 75°, diagonal FOV 147° 2.8 mm, horizontal FOV 104.8°, vertical FOV 58.2°, diagonal FOV 123° 4 mm, horizontal FOV 79.6°, vertical FOV 43.7°, diagonal FOV 93.8°
Lens Mount	L30: M12
Iris Type	Fixed
Aperture	F2.0
DORI	
DORI	L30: 2 mm: D: 45.5 m, O: 18 m, R: 9.1 m, I: 4.5 m 2.8 mm: D: 59.8 m, O: 23.7 m, R: 12.0 m, I: 6.0 m 4 mm: D: 80 m, O: 31 m, R: 16 m, I: 8 m
Image	
Wide Dynamic Range (WDR)	Digital WDR
General	
Material	Main body: Zinc Alloy+Aluminum Alloy
Dimension	∅26 mm × 46.85 mm (∅1.02" × 1.84")
Package Dimension	219 mm × 139 mm × 100 mm (8.6" × 5.5" × 3.9")
Weight	Approx. 55 g (0.12 lb.)
With Package Weight	2 m cable: 451 g (0.99 lb); 8 m cable: 676 g (1.49 lb)
Storage Conditions	-30 °C to 60 °C (-22 °F to 140 °F). Humidity 95% or less (non-condensing)
Startup and Operating Conditions	-30 °C to 60 °C (-22 °F to 140 °F). Humidity 95% or less (non-condensing)
Length of Lens Cable	2 and 8 m (6.6 and 26.2 ft.)

## ▪ Typical Application

Hikvision products are classified into three levels according to their anti-corrosion performance. Refer to the following description to choose for your using environment.

This model has NO SPECIFIC PROTECTION.

Level	Description
Top-level protection	Hikvision products at this level are equipped for use in areas where professional anti-corrosion protection is a must. Typical application scenarios include coastlines, docks, chemical plants, and more.
Moderate protection	Hikvision products at this level are equipped for use in areas with moderate anti-corrosion demands. Typical application scenarios include coastal areas about 2 kilometers (1.24 miles) away from coastlines, as well as areas affected by acid

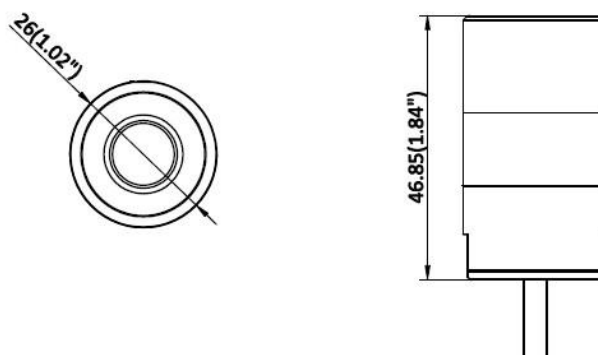
	rain.
No specific protection	Hikvision products at this level are equipped for use in areas where no specific anti-corrosion protection is needed.

▪ **Available Model**

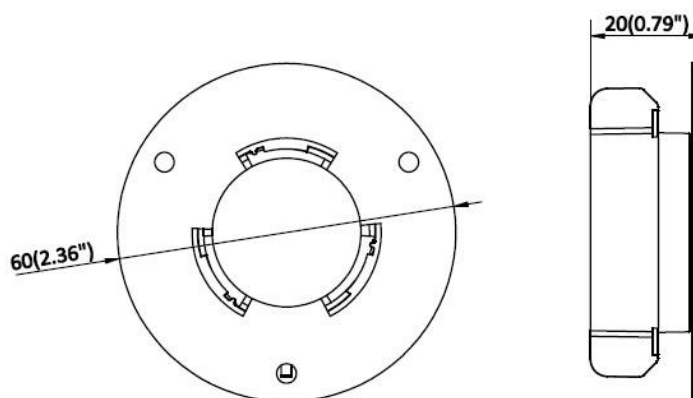
- DS-2CD6445G1-L30(2.8mm)2m
- DS-2CD6445G1-L30(2.8mm)8m
- DS-2CD6445G1-L30(4mm)2m
- DS-2CD6445G1-L30(4mm)8m
- DS-2CD6445G1-L30(2mm)2m
- DS-2CD6445G1-L30(2mm)8m

▪ **Dimension**

**L30(2.8mm) camera lens**



**Circular bracket**



**Unit: mm(inch)**

- **Accessory**
- **Optional**

**DS-2CD6445G2-C1/  
HDMI  
2MP Separated  
Network Camera**

**Headquarters**

No.555 Qianmo Road, Binjiang District,  
Hangzhou 310051, China  
T +86-571-8807-5998  
www.hikvision.com



Follow us on social media to get the latest product and solution information.



Hikvision



HikvisionHQ



HikvisionHQ



Hikvision\_Global



Hikvision  
Corporate Channel



hikvisionhq