

## DS-1661ZJ-Y

### Pendant Mount



### Key Feature

- Pendant Mount

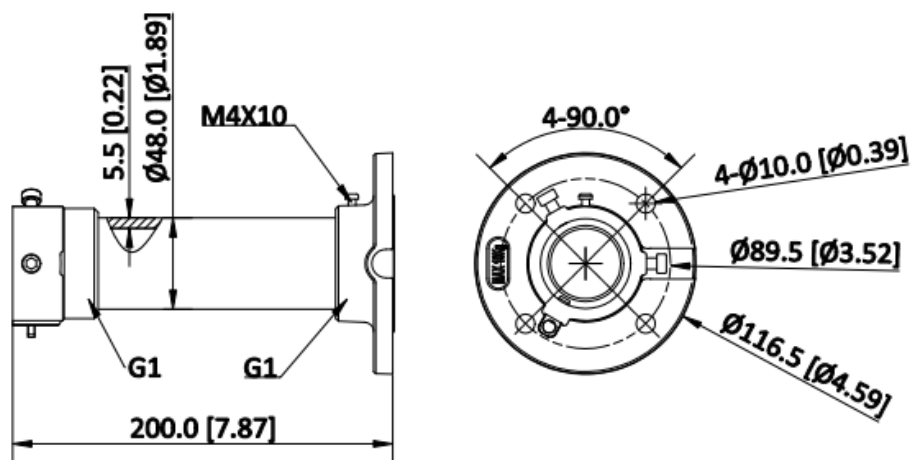
### Specification

Model	DS-1661ZJ-Y
Color	Hikvision white
Weight	1 kg (2.2 lb.)
Material	Aluminum Alloy
Dimension	Ø116.5 mm × 200 mm (Ø4.59" × 7.9")
Max. Load Capacity	Approx. 10 kg (22.05 lb.)

### Available Model

DS-1661ZJ-Y

**Dimension**



Unit: mm [inch]

SCALE	1:1
-------	-----