

AE-MS8202 HDD Case Reader



- Rich interface, compatible with vehicle hard disk case, standard SATA interface
- Supports USB3.0 and is compatible with USB2.0
- No driver required, convenient for users
- Status indicator light, running state is clear at a glance

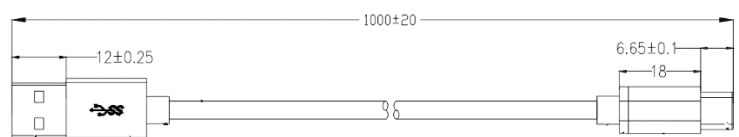
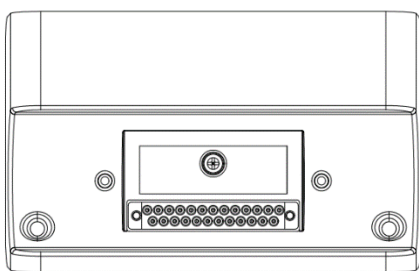
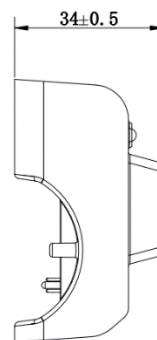
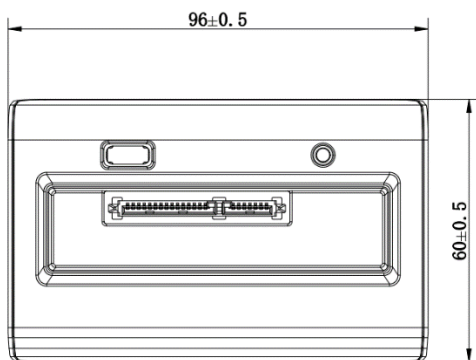
▪ **Specification**

Interface	
To PC	Type-C USB3.0
To hard disk	SATA
To hard disk case	HIKvision hard disk case interface
Others	
Power Supply	DC 9~36 V
Working temperature	0°C~ +50°C (32°F~ +122°F)
Dimensions (W×D×H)	96mmx60mmx34mm (3.8" x2.4" x1.3")

▪ **Available Model**

309501928 AE-MS8202(O-NEU)(HDD Case Reader)

▪ **Dimension**



unit: mm

Headquarters

No.555 Qianmo Road, Binjiang District,
Hangzhou 310051, China
T +86-571-8807-5998
www.hikvision.com



Follow us on social media to get the latest product and solution information.

