

HIKVISION CONFIDENTIAL INFORMATION
UNAUTHORIZED DIFFUSION IS PROHIBITED

SECURITY CLASSIFICATION: AA

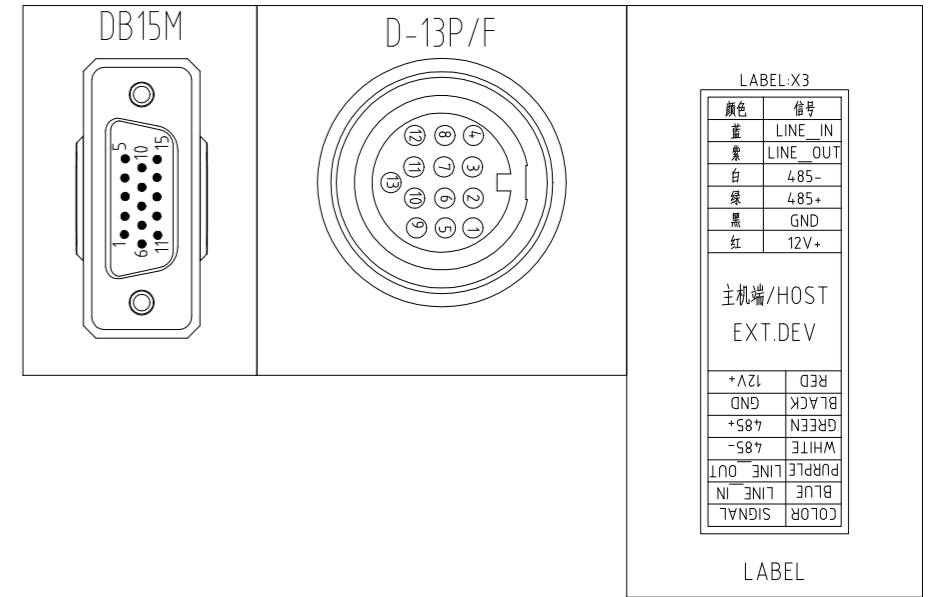
D

E

F

A3
DWG NO:

1	2	3	4	5	6	7	8
L(M)	TOL(L ₁ / ₂)	PART NAME					
5 M	±50	AE-MCE112-5 (XVR-VGA Cable_DB15M)					
8 M	±100	AE-MCE112-8 (XVR-VGA Cable_DB15M)					



A

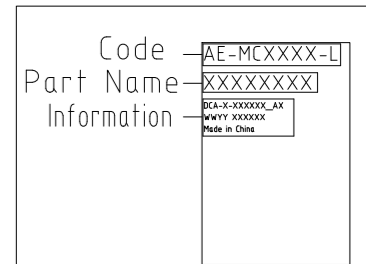
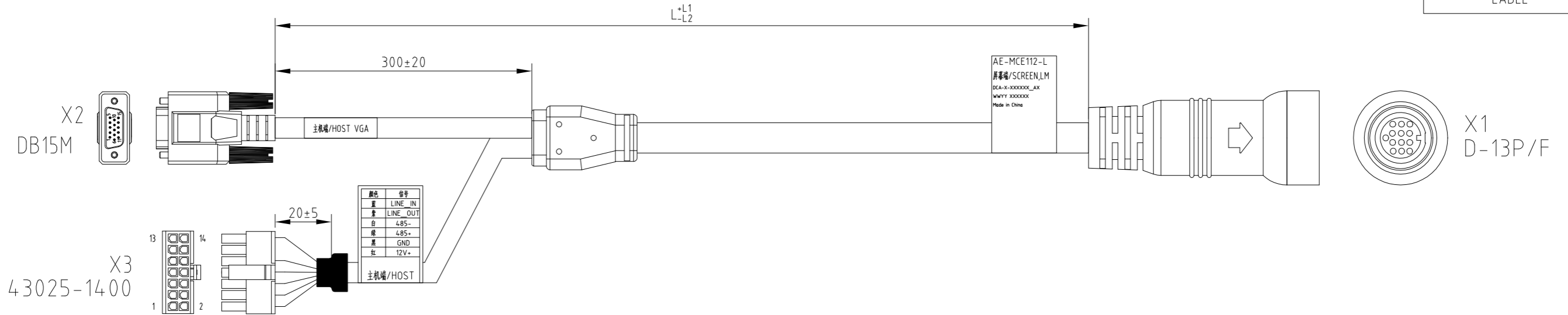
B

C

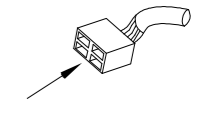
D

E

F



LABEL



VIEW

PIN Table 1:

X1	Colour	X2	Signal
1	BL(C)	1	DAC_R
2	B(S)	10	GND_R
3	BR(C)	2	DAC_G
2	B(S)	5+6	GND_G
7	Y(C)	3	DAC_B
2	B(S)	7+8	GND_B
5	BL	13	VGA_HS
6	Y	14	VGA_VS
SHELL	B(E)	SHELL	SHIELD

PIN Table 2:

X1	Colour	X3	Signal
4	G	1+4	RS485+
8	W	2+3	RS485-
9	R	10	12V
10	B	5	GND
11	B(S)	9	GND(LINE_IN)
		13	GND(LINE_OUT)
12	BL(C)	7	LINE_IN
13	V(C)	8	LINE_OUT

NOTES:

- 1.All the materials must be compliant RoHS;
- 2.Working tempature: -40~105°C;
- 3.Process conforms to the IPC620 standard 3;

NO.	REV	DESCRIPTION	AREA	BY	DATE
<1>					
DESIGN		PART NAME: AE-MCE112-L (XVR-VGA Cable_DB15M)	PART NO:		
APPROVED		DWG NO:	REV:	STATE:	 HANGZHOU HIKVISION DIGITAL TECHNOLOGY CO. LTD.
STANDARD		MATERIAL:	WEIGHT:	GRADE:	
MCODE		FINISH:	FIRST_USED_ON	 1:1	SIZE: A3 SHEET 1 OF 1

(Conform to the requirements of the RoHS)