

HIKVISION CONFIDENTIAL INFORMATION
UNAUTHORIZED DIFFUSION IS PROHIBITED

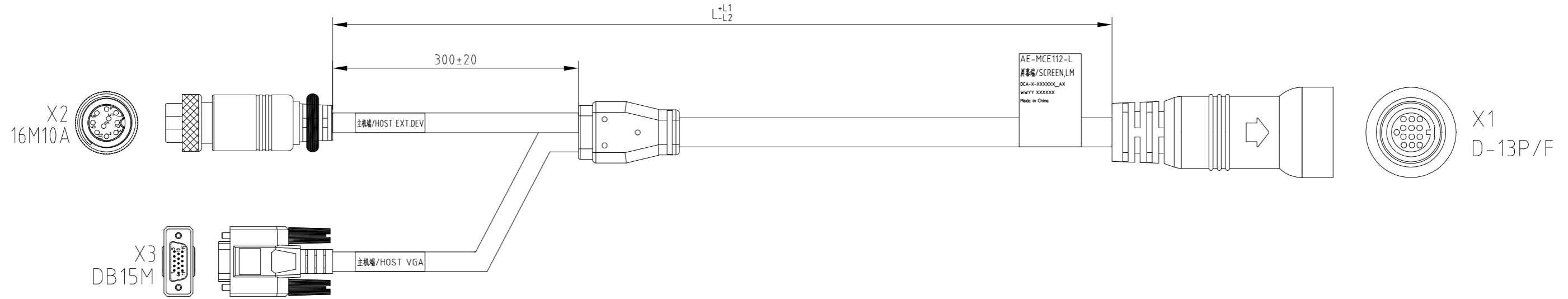
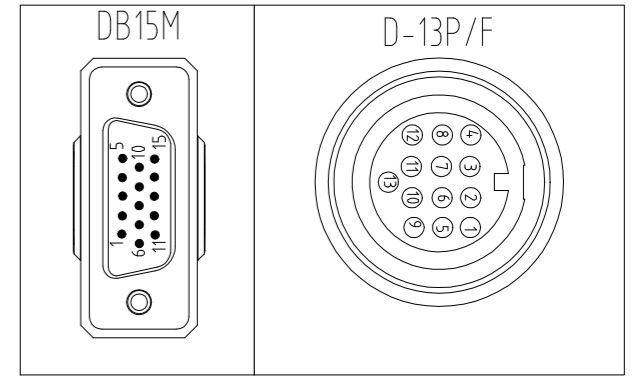
SECURITY CLASSIFICATION: AA

+

E

DWG NO:
A3

1	2	3	4	5	6	7	8
L (M)	TOL(L ₁ L ₂)	PART NAME					
5 M	±50	AE-MCE112-5C02 (BUS HOST VGA Cable)					
6 M	±100	AE-MCE112-6 (BUS HOST VGA Cable)					
8 M	±100	AE-MCE112-8C01 (BUS HOST VGA Cable)					
10 M	±100	AE-MCE112-10 (BUS HOST VGA Cable)					
12 M	+150 -100	AE-MCE112-12 (BUS HOST VGA Cable)					



PIN Table 1:

X1	Colour	X3	Signal
1	BL(C)	1	DAC_R
2	B(S)	10	GND_R
3	BR(C)	2	DAC_G
2	B(S)	5+6	GND_G
7	Y(C)	3	DAC_B
2	B(S)	7+8	GND_B
5	BL	13	VGA_HS
6	Y	14	VGA_VS
SHELL	B(E)	SHELL	SHIELD

PIN Table 2:

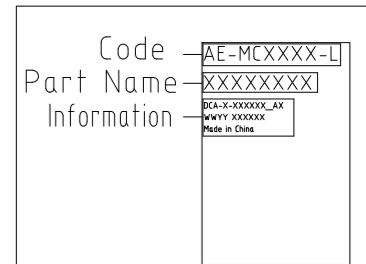
X1	Colour	X2	Signal
4	G	1+3	RS485+
8	W	2+7	RS485-
9	R	4	POWER_12V+
10	B	5	POWER_GND
11	B(S)	10	GND(LINE)
12	BL(C)	8	LINE_IN
13	V(C)	9	LINE_OUT



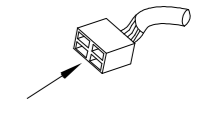
(Conform to the requirements of the RoHS).

NOTES:

- 1.All the materials must be compliant RoHS;
- 2.Working tempature: -40~105°C;
- 3.Process conforms to the IPC620 standard 3;



LABEL



VIEW

NO.	REV	DESCRIPTION	AREA	BY	DATE
<1>					
DESIGN		PART NAME: AE-MCE112-L (BUS HOST VGA Cable)	PART NO:		
APPROVED		DWG NO:	REV:	STATE:	 HANGZHOU HIKVISION DIGITAL TECHNOLOGY CO. LTD.
STANDARD		MATERIAL:	WEIGHT:	GRADE:	
MCODE		FINISH:	FIRST_USED_ON	FIRST ANGLE	SCALE
				1:1	SIZE: A3
					SHEET 1 OF 1