

DS-2CD2385FWD-I(B) 8 MP IR Fixed Turret Network Camera



Key Features

- Up to 8 megapixel high resolution
- Max. 3840 × 2160 @20fps
- 2.8 mm/4 mm/6 mm fixed lens, optional
- H.265, H.265+, H.264+, H.264
- 120dB WDR
- 12 VDC & PoE (802.3af, class 3)
- IR range: Up to 30 m
- Support on-board storage, up to 128 GB
- IP67
- BLC/3D DNR/ROI/HLC
- Color: 0.009 Lux @ (F1.2, AGC ON), 0.016 Lux @ (F1.6, AGC ON)



Specification

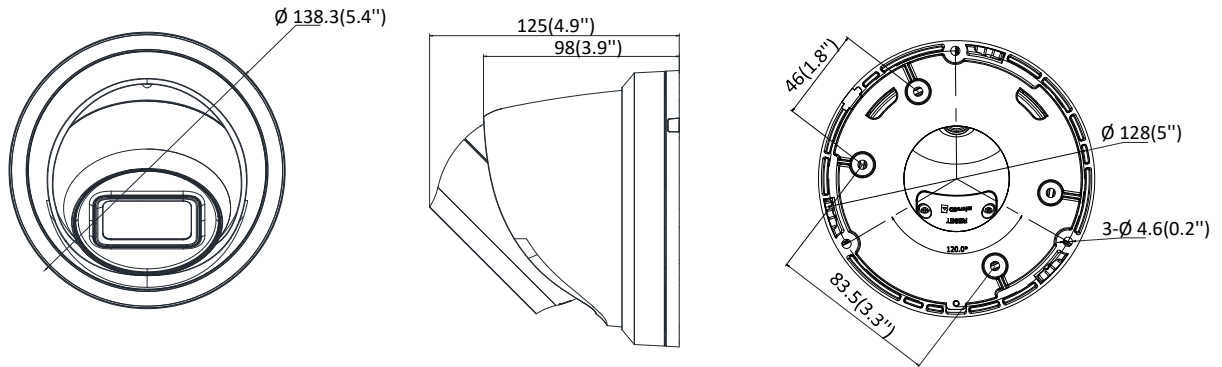
| Camera | |
|--|---|
| Image Sensor | 1/2" Progressive Scan CMOS |
| Min. Illumination | Color: 0.009 Lux @ (F1.2, AGC ON), 0.016 Lux @ (F1.6, AGC ON) |
| Shutter Speed | 1/3 s to 1/100,000 s |
| Slow Shutter | Yes |
| Focal length | 2.8/4/6 mm |
| Focus | Fixed |
| Lens | 2.8 mm, horizontal FOV: 102°, vertical FOV: 55°, diagonal FOV: 120° 4 mm, horizontal FOV: 78°, vertical FOV: 43°, diagonal FOV: 92° 6 mm, horizontal FOV: 50°, vertical FOV: 27°, diagonal FOV: 59° |
| Lens Mount | M16 |
| Aperture | F1.6 |
| Day & Night | IR cut filter |
| DNR | 3D DNR |
| Wide Dynamic Range | 120dB |
| 3-Axis Adjustment | Pan: 0° to 360°, tilt: 0° to 75°, rotate: 0° to 360° |
| Compression Standard | |
| Video Compression | Main stream: H.265/H.264 Sub stream: H.265/H.264/MJPEG Third stream: H.265/H.264 |
| H.264 Type | Main Profile/High Profile |
| H.264+ | Main stream supports |
| H.265 Type | Main Profile |
| H.265+ | Main stream supports |
| Video Bit Rate | 32 Kbps to 16 Mbps |
| Image | |
| Max. Resolution | 3840 × 2160 |
| Main Stream | 50Hz: 20 fps (3840 × 2160), 25 fps (3072 × 1728, 2560 × 1440, 1920 × 1080, 1280 × 720) 60Hz: 20 fps (3840 × 2160), 30fps (3072 × 1728, 2560 × 1440, 1920 × 1080, 1280 × 720) |
| Sub Stream | 50Hz: 25fps (640 × 480, 640 × 360, 320 × 240) 60Hz: 30fps (640 × 480, 640 × 360, 320 × 240) |
| Third Stream | 50Hz: 25fps (1280 × 720, 640 × 360, 352 × 288) 60Hz: 30fps (1280 × 720, 640 × 360, 352 × 240) |
| Image Enhancement | BLC/3D DNR/HLC |
| Image Settings | Rotate mode, brightness, contrast, saturation, and sharpness are adjustable via web browser and client software |
| ROI (Region of Interest) | Support 1 fixed region for main stream and sub stream separately |
| Day/Night Switch | Day/Night/Auto/Schedule |
| *Note: When the main stream resolution is 3840 × 2160, max frame rate is 20 fps for all streams. | |
| Network | |
| Network Storage | Support micro SD/SDHC/SDXC card (128G) local storage, NAS (NFS,SMB/CIFS), ANR |
| Alarm Trigger | Motion detection, tampering alarm, network disconnected, IP address conflict, illegal login, HDD full, HDD error |
| Protocols | TCP/IP, ICMP, HTTP, HTTPS, FTP, DHCP, DNS, DDNS, RTP, RTSP, RTCP, PPPoE, NTP, UPnP, SMTP, SNMP, IGMP, 802.1X, QoS, IPv6, UDP, Bonjour |

| | |
|--------------------------|---|
| General Function | One-key reset, anti-flicker, three streams, heartbeat, mirror, password protection, privacy mask, watermark, IP address filter |
| Firmware Version | V5.5.61 |
| API | ONVIF (PROFILE S, PROFILE G), ISAPI |
| Simultaneous Live View | Up to 6 channels |
| User/Host | Up to 32 users 3 levels: Administrator, Operator and User |
| Client | iVMS-4200, Hik-Connect, iVMS-5200, iVMS-4500 |
| Web Browser | Plug-in required live view: IE8+, Chrome 41.0-44, Firefox 30.0-51, Safari 8.0-11 Plug-in free live view: Chrome 45.0+, Firefox 52.0+ |
| Interface | |
| Communication Interface | 1 RJ45 10M/100M self-adaptive Ethernet port |
| On-board Storage | Built-in micro SD/SDHC/SDXC slot, up to 128 GB |
| Reset Button | Yes |
| SVC | H.265 encoding and H.264 encoding support |
| Smart Feature-set | |
| Behavior Analysis | Line crossing detection, intrusion detection, unattended baggage detection, object removal detection |
| Exception Detection | Scene change detection |
| Face Detection | Yes |
| General | |
| Operating Conditions | -30 °C to +60 °C (-22 °F to +140 °F), humidity 95% or less (non-condensing) |
| Power Supply | 12 VDC ± 25%, 5.5 mm coaxial power plug PoE (802.3af, class 3) |
| Power Consumption | 12 VDC, 0.7 A, max: 7.5 W PoE: (802.3af, 36 VDC to 57 VDC), 0.3 A to 0.2 A, max: 9 W |
| IR Range | Up to 30 m |
| Wavelength | 850 nm |
| Protection Level | IP67 |
| Material | Camera body: Metal |
| Dimensions | Camera: Φ 138.3 × 125 mm (5.4" × 4.9") |
| Weight | Camera: 725 g (1.6 lb.) With package: 966 g (2.1 lb.) |

Available Model

DS-2CD2385G1-I (2.8/4/6 mm)

Dimensions



Unit: mm

Accessories



DS-1273ZJ-140
Wall Mount



DS-1271ZJ-140
Pendant Mount



DS-1280ZJ-DM21
Junction Box

Distributed by



Headquarters

No.555 Qianmo Road, Binjiang District,
Hangzhou 310051, China
T +86-571-8807-5998
overseasbusiness@hikvision.com

Hikvision USA
T +1-909-895-0400
sales.usa@hikvision.com

Hikvision Europe
T +31-23-5542770
sales.eu@hikvision.com

Hikvision UK & Ireland
T +01628-902140
sales.uk@hikvision.com

Hikvision UAE
T +971-4-4432090
salesme@hikvision.com

Hikvision Russia
T +7-495-669-67-99
saleru@hikvision.com

Hikvision Australia
T +61-2-8599-4233
salesau@hikvision.com

Hikvision Italy
T +39-0438-6902
info.it@hikvision.com

Hikvision South Africa
Tel: +27 (0)1 0351172
sale.africa@hikvision.com

Hikvision Singapore
T +65-6684-4718
sg@hikvision.com

Hikvision Korea
T +82-(0)31-731-8817
sales.korea@hikvision.com

Hikvision India
T +91-22-28469900
sales@pramahikvision.com

Hikvision Brazil
T +55 11 3318-0050
Latam.support@hikvision.com

Hikvision France
T +33(0)1-85-330-450
info.fr@hikvision.com

Hikvision Spain
T +34-91-737-16-55
info.es@hikvision.com

Hikvision Poland
T +48-22-460-01-50
info.pl@hikvision.com

Hikvision Canada
T +1-866-200-6690
sales.canada@hikvision.com

Hikvision Turkey
T +90 (216)521 7070- 7074
sales.tr@hikvision.com

Hikvision Kazakhstan
T +7-727-9730667
nikia.panfilov@hikvision.ru

Hikvision Tashkent
T +99-87-1238-9438
uzb@hikvision.ru

Hikvision Indonesia
T +62-21-2933759
Sales.Indonesia@hikvision.com

Hikvision Thailand
T +662-275-9949
sales.thailand@hikvision.com

Hikvision Malaysia
T +601-7652-2413
sales.my@hikvision.com

Hikvision Vietnam
T +84-974270888
sales.vt@hikvision.com

Hikvision Hong Kong
T +852-2151-1761
info.hk@hikvision.com

Hikvision Colombia
sales.colombia@hikvision.com