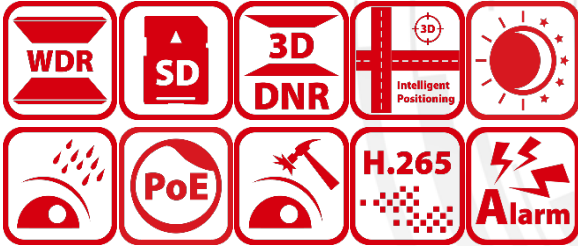


DS-2DF6A425X-AEL (T3) 4 MP 25 × Network Speed Dome

DarkFighter



Hikvision DS-2DF6A425X-AEL 4 MP 25 × Network Speed Dome adopts 1/1.8" progressive scan CMOS chip. With the 25 × optical zoom lens, the camera offers more details over expansive areas.

This series of cameras can be widely used for wide ranges of high-definition, such as the rivers, forests, roads, railways, airports, ports, squares, parks, scenic spots, stations and large venues, etc.

- 1/1.8" Progressive Scan CMOS
- Up to 2560 × 1440 resolution
- Min. Illumination
Color: 0.002 Lux @ (F1.5, AGC ON)
B/W: 0.0002 Lux @ (F1.5, AGC ON)
- 25 × optical zoom, 16 × digital zoom
- 140dB WDR, 3D DNR, HLC
- 24 VAC & Hi-PoE
- Support H.265+/H.265 video compression
- Support vandal-proof alarm
- Support face capture to detect, track, capture, grade, and select face in motion.
- Support road traffic to detect vehicles, including license plate number, vehicle model, and vehicle color.
- Rapid focus
- IP67, IK10



Specifications

Camera Module	
Image Sensor	1/1.8" progressive scan CMOS
Min. Illumination	Color: 0.002 Lux @ (F1.5, AGC ON) B/W: 0.0002 Lux @ (F1.5, AGC ON)
Shutter Speed	1/1 s to 1/30,000 s
Focus	Semi-Auto, Manual, Auto
Day & Night	ICR
BLC	Yes
WDR	140 dB WDR
HLC	Yes
3D DNR	Yes
EIS	Yes. Built-in gyroscope to improve EIS performance.
Regional Exposure	Yes
Regional Focus	Yes
Digital Zoom	16 ×
Optical Zoom	25 ×
Privacy Mask	Up to 24 masks, gray color, mosaic mask, rectangle region
General Function	Mirror, Password Protection, Watermark, IP Address Filter
Lens	
Focal Length	5.9 mm to 147.5 mm, 25 × Optical
Zoom Speed	Approx. 4.8 s (optical, wide-tele)
FOV	Horizontal field of view: 59.8° to 3.3° (wide-tele), Vertical field of view: 33.7° to 1.9° (wide-tele), Diagonal field of view: 65° to 3.8° (wide-tele)
Aperture	F1.5 to F3.4
PTZ	
Movement Range (Pan)	360°
Movement Range (Tilt)	-20° to 90° (auto flip)
Pan Speed	Configurable from 0.1° to 300°/s. Preset speed: 540°/s
Tilt Speed	Configurable from 0.1° to 240°/s. Preset speed: 400°/s
Proportional Zoom	Yes
Presets	300
Patrol Scan	8 patrols
Pattern Scan	4 pattern scans
Power-off Memory	Yes
Park Action	Preset, Pattern Scan, Patrol Scan, Auto Scan, Tilt Scan, Random Scan, Frame Scan, Panorama Scan
3D Positioning	Yes
PTZ Status Display	Yes
Preset Freezing	Yes

Scheduled Task	Preset, Pattern Scan, Patrol Scan, Auto Scan, Tilt Scan, Random Scan, Frame Scan, Panorama Scan, Dome Reboot, Dome Adjust, Aux Output
Vandal-proof Alarm	Yes
Video	
Max. Resolution	2560 × 1440
Main Stream	50Hz: 25fps (2560 × 1440, 1920×1080, 1280 × 960, 1280×720) 60Hz: 30fps (2560 × 1440, 1920×1080, 1280 × 960, 1280×720)
Sub-Stream	50Hz: 25fps (704 × 576, 640 × 480, 352 × 288) 60Hz: 30fps (704 × 480, 640 × 480, 352 × 240)
Third Stream	50Hz: 25fps (1920 × 1080, 1280 × 960, 1280 × 720, 704 × 576, 640 × 480, 352 × 288), 60Hz: 30fps (1920 × 1080, 1280 × 960, 1280 × 720, 704 × 480, 640 × 480, 352 × 240)
Video Compression	H.265, H.264, MJPEG
H.264 Type	baseline profile, main profile, high profile
H.265 Type	main profile
H.264+	Yes
H.265+	Yes
SVC	Yes
ROI	dynamic face tracking, dynamic license plate tracking, dynamic target tracking
Audio	
Audio Compression	G.711alaw, G.711ulaw, G.722.1, G.726, MP2L2, PCM
Smart Features	
Face Capture	Support detecting up to 30 faces at the same time. Support detecting, tracking, capturing, grading, selecting of face in motion, and output the best face picture of the face.
Road Traffic	Support vehicle detection (license plate number, vehicle model, and vehicle color recognition)
Basic Event	Motion Detection, Video Tampering Alarm, Alarm Input and Output
Smart Event	Face Capture, Unattended Baggage Detection, Object Removal Detection, Intrusion Detection, Line Crossing Detection, Region Entrance Detection, Region Exiting Detection, Audio Exception Detection
Smart Tracking	Manual Tracking, Event Tracking, Auto-Tracking
Smart Record	ANR, Dual-VCA
Alarm Linkage	Alarm actions, such as Preset, Patrol Scan, Pattern Scan, Memory Card Video Record, Trigger Recording, Notify Surveillance Center, Upload to FTP/Memory Card/NAS, Send Email, etc.
Perimeter Protection	Line crossing, intrusion, region entrance, region exiting Support alarm triggering by specified target types (human and vehicle)
Network	
Client	iVMS-4200, Hik-Connect, HikCentral
Web Browser	IE 8 to 11, Chrome 31.0+, Firefox 30.0+, Safari 11+
Network	
Protocols	IPv4/IPv6, HTTP, HTTPS, 802.1x, Qos, FTP, SMTP, UPnP, SNMP, DNS, DDNS, NTP, RTSP, RTCP, RTP, TCP/IP, DHCP, PPPoE, UDP, IGMP, ICMP, Bonjour

API	ONVIF (Profile S, Profile G, Profile T), ISAPI, SDK
Simultaneous Live View	Up to 20 channels
User/Host	Up to 32 users, 3 levels: Administrator, Operator and User
Security Measures	User authentication (ID and PW), Host authentication (MAC address); HTTPS encryption; IEEE 802.1x port-based network access control; IP address filtering
Interface	
Communication Interface	1 RJ45 10 M/100 M Ethernet Interface; Hi-PoE
On-board Storage	Built-in memory card slot, support Micro SD/Micro SDHC/Micro SDXC, up to 256 GB; NAS (NFS, SMB/ CIFS), ANR
Alarm Input	7 alarm inputs
Alarm Output	2 alarm outputs
Audio Input	1 audio input, 2.0 to 2.4 Vp-p, 1k Ohm \pm 10%
Audio Output	1 audio output, line level, impedance: 600 Ω
Video Output	1.0 V [p-p]/75 Ω , PAL, NTSC, BNC connector
RS-485	HIKVISION, Pelco-P, Pelco-D, self-adaptive
General	
Power	24 VAC (max. 60 W, including max. 10 W for heater), Hi-PoE (max. 50 W, including max. 10 W for heater)
Operating Conditions	Temperature: -40°C to 70°C (-40°F to 158°F), Humidity: \leq 90%
Dimensions	Φ 231.1 mm \times 355.6 mm (Φ 9.10" \times 14")
Weight	Approx. 6 kg (13.23 lb)
Web Client Language	32 languages: English, Russian, Estonian, Bulgarian, Hungarian, Greek, German, Italian, Czech, Slovak, French, Polish, Dutch, Portuguese, Spanish, Romanian, Danish, Swedish, Norwegian, Finnish, Croatian, Slovenian, Serbian, Turkish, Korean, Traditional Chinese, Thai, Vietnamese, Japanese, Latvian, Lithuanian, Portuguese (Brazil)
Approval	
Protection	Lightning Protection, Surge Protection and Voltage Transient Protection, \pm 6 kV Line to Gnd, \pm 3kV Line to Line, IEC61000-4-5, IP67 Standard, IK10

DORI

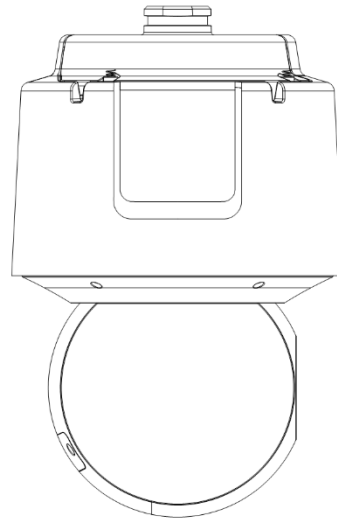
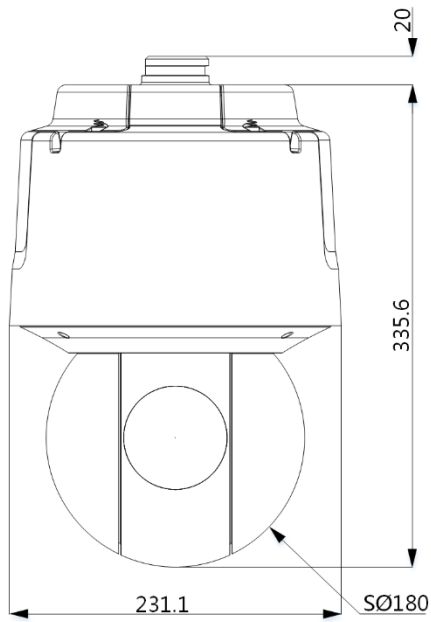
The DORI (detect, observe, recognize, identify) distance gives the general idea of the camera ability to distinguish persons or objects within its field of view. It is calculated based on the camera sensor specification and the criteria given by EN 62676-4: 2015.

DORI	Detect	Observe	Recognize	Identify
Definition	25 px/m	63 px/m	125 px/m	250 px/m
Distance (Tele)	2034.5 m (6674.9 ft)	807.3 m (2648.6 ft)	406.9 m (1335.0 ft)	203.4 m (667.3 ft)

Available Model

DS-2DF6A425X-AEL (T3), 24 VAC & Hi-PoE

Dimensions



Unit:mm

Accessory

Included



Installation Adapter

Optional



DS-1604ZJ-Corner-P
Corner Mount



DS-1673ZJ-P
Horizontal Pole Mount



DS-1663ZJ-P
Ceiling Mount



DS-1662ZJ-P
Pendant Mount



DS-1667ZJ-P
Pendant Mount



DS-1682ZJ-P
Extension Bar for Pendant
Mount



DS-1604ZJ-BOX-POLE-P
Vertical Pole Mount



DS-1604ZJ-Pole-P
Vertical Pole Mount



TEAC-66-243000V (EU)
 MKAC-66-243000U (USA)
 TEAC-66-243000VB (UK)
 Power adapter



LAS60-57CN-RJ45
 Hi-PoE Midspan

Distributed by

**HIKVISION®****Headquarters**

No.555 Qianmo Road, Binjiang District,
 Hangzhou 310051, China
 T +86-571-8807-5998
 overseasbusiness@hikvision.com

Hikvision USA
 T +1-909-895-0400
 sales.usa@hikvision.com

Hikvision Australia
 T +61-2-8599-4233
 salesau@hikvision.com

Hikvision India
 T +91-22-28469900
 sales@pramahikvision.com

Hikvision Canada
 T +1-866-200-6690
 sales.canada@hikvision.com

Hikvision Thailand
 T +662-275-9949
 sales.thailand@hikvision.com

Hikvision Europe
 T +31-23-5542770
 sales.eu@hikvision.com

Hikvision Italy
 T +39-0438-6902
 info.it@hikvision.com

Hikvision Brazil
 T +55 11 3318-0050
 Latam.support@hikvision.com

Hikvision Turkey
 T +90 (216)521 7070- 7074
 sales.tr@hikvision.com

Hikvision Malaysia
 T +601-7652-2413
 sales.my@hikvision.com

Hikvision UK & Ireland
 T +01628-902140
 sales.uk@hikvision.com

Hikvision South Africa
 Tel: +27 (10) 0351172
 sale.africa@hikvision.com

Hikvision France
 T +33(0)1-85-330-450
 info.fr@hikvision.com

Hikvision Kazakhstan
 T +7-727-9730667
 nikia.panfilov@hikvision.ru

Hikvision Vietnam
 T +84-974270888
 sales.vt@hikvision.com

Hikvision UAE
 T +971-4-4432090
 salesme@hikvision.com

Hikvision Singapore
 T +65-6684-4718
 sg@hikvision.com

Hikvision Spain
 T +34-91-737-16-55
 info.es@hikvision.com

Hikvision Tashkent
 T +99-87-1238-9438
 uzb@hikvision.ru

Hikvision Hong Kong
 T +852-2151-1761
 info.hk@hikvision.com

Hikvision Russia
 T +7-495-669-67-99
 saleru@hikvision.com

Hikvision Korea
 T +82-[0]31-731-8817
 sales.korea@hikvision.com

Hikvision Poland
 T +48-22-460-01-50
 info.pl@hikvision.com

Hikvision Indonesia
 T +62-21-2933759
 Sales.Indonesia@hikvision.com

Hikvision Colombia
 sales.colombia@hikvision.com