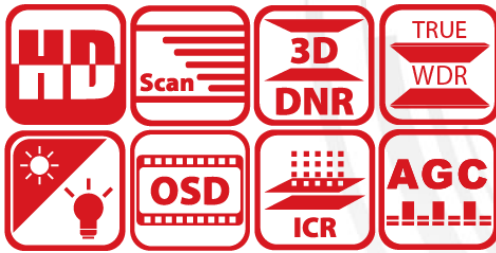


## DS-2CC12D9T-(A) HD1080P WDR Box Camera



### Key Features

- 2 Megapixel high-performance CMOS
- Analog HD output, up to 1080P resolution
- True Day/Night
- OSD menu, 3D DNR
- True WDR, up to 120dB
- 24V AC/ 12V DC(-A)
- Up the Coax(HIKVISION-C)



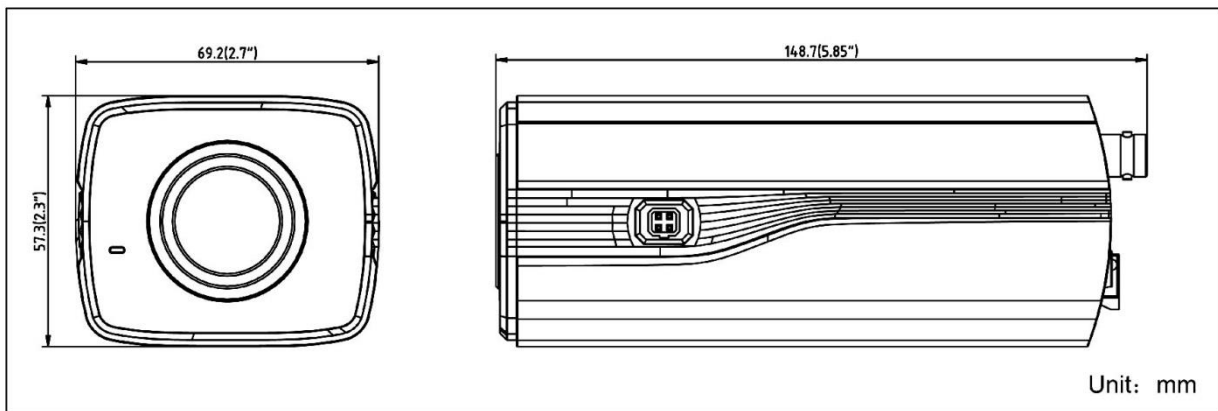
## Specifications

| <b>Camera</b>        |  |
|----------------------|--|
| Image Sensor         | 2MP CMOS Image Sensor  |
| Signal System        | PAL/NTSC   |
| Effective Pixels     | 1944(H)*1092(V)  |
| Min. illumination    | 0.003 Lux @ (F1.2, AGC ON), 0 Lux with IR  |
| Shutter Time         | 1/25(1/30)s to 1/50,000s   |
| Lens Mount           | C/CS mount   |
| Auto-iris            | DC drive   |
| Day & Night          | ICR  |
| Synchronization      | Internal synchronization   |
| WDR                  | 120dB  |
| Video Frame Rate     | 1080p@25fps/1080p@30fps  |
| HD Video Output      | 1 Analog HD output   |
| CVBS Output          | 1Vp-p Composite Output(75Ω/BNC)  |
| Alarm                | -A: 1 Alarm input; 1 Alarm output  |
| S/N Ratio            | > 62dB   |
| <b>Menu</b>          |  |
| Scene                | Indoor, Outdoor, Indoor1, LOW-LIGHT  |
| Camera ID            | On/off (15 characters, position programmable)  |
| AGC                  | Support  |
| D/N Mode             | Color/BW/EXT   |
| White Balance        | ATW, AWC-SET, Manual   |
| Privacy Mask         | On/Off, maximum 8 zones  |
| Motion Detection     | On/Off, maximum 4 zones  |
| BLC                  | Support  |
| Anti-flicker         | On/Off   |
| Language             | English, Japanese, CHN1, CHN2, Korean, German, French, Italian, Spanish, Polish, Russian, Portuguese, Dutch, Turkish, Hebrew and Arabic              |
| Functions            | HSBLC, Digital noise reduction, Digital zoom(62x), Slow shutter, Mirror, Defog, Defect pixel correction, SMART D-ZOOM, LSC (Lens Shading Correction) |
| <b>General</b>       |  |
| Operating Conditions | -30 °C – 60 °C (-22 °F – 140 °F), Humidity 90% or less (non-condensing)  |
| Power Supply         | 12 VDC±15%, -A: 24V±15% AC, 12V±15% DC   |
| Power Consumption    | Max. 4W, -A: Max. 6W   |
| Communication        | Up the coax, Protocol: HIKVISION-C(TVI output)   |
| Dimensions           | 69.2×57.3×148.7mm(2.7" × 2.3" × 5.85")   |
| Weight               | 520 g  |

## Order Models

DS-2CC12D9T-(A)

## Dimensions



## Accessories



DS-1292ZJ  
Wall Mounting



DS-1332HZ  
Indoor Housing



DS-1331  
Outdoor Housing



DS-1H18  
Video Balun



X41T  
Camera Tester



DS-1330HZ  
Indoor Housing



TV0309D-MPIR  
Manual Focusing 3MP IR Lens



DS-1299ZJ  
Pendant Mounting

Distributed by



### Headquarters

No.555 Qianmo Road, Binjiang District,  
Hangzhou 310051, China  
T +86-571-8807-5998  
overseasbusiness@hikvision.com

### Hikvision Poland

T +48-22-460-01-50  
poland@hikvision.com

### Hikvision USA

T +1-909-895-0400  
sales.usa@hikvision.com

### Hikvision India

T +91-22-28469900  
sales@pramahikvision.com

### Hikvision UK

T +44-1628-9021-4  
support.uk@hikvision.com

### Hikvision Europe

T +31-23-5542770  
saleseuro@hikvision.com

### Hikvision Italy

T +39-0438-6902  
info.it@hikvision.com

### Hikvision Singapore

T +65-6684-4718  
sg@hikvision.com

### Hikvision Middle East

T +971-4-8816086  
salesme@hikvision.com

### Hikvision France

T +33(0)1-85-330-444  
info.fr@hikvision.com

### Hikvision Oceania

T +61-2-8599-4233  
salesau@hikvision.com

### Hikvision Russia

T +7-495-669-67-99  
saleru@hikvision.com

### Hikvision Spain

T +34-91-737-16-55  
info.es@hikvision.com

### Hikvision Hong Kong

T +852-2151-1761